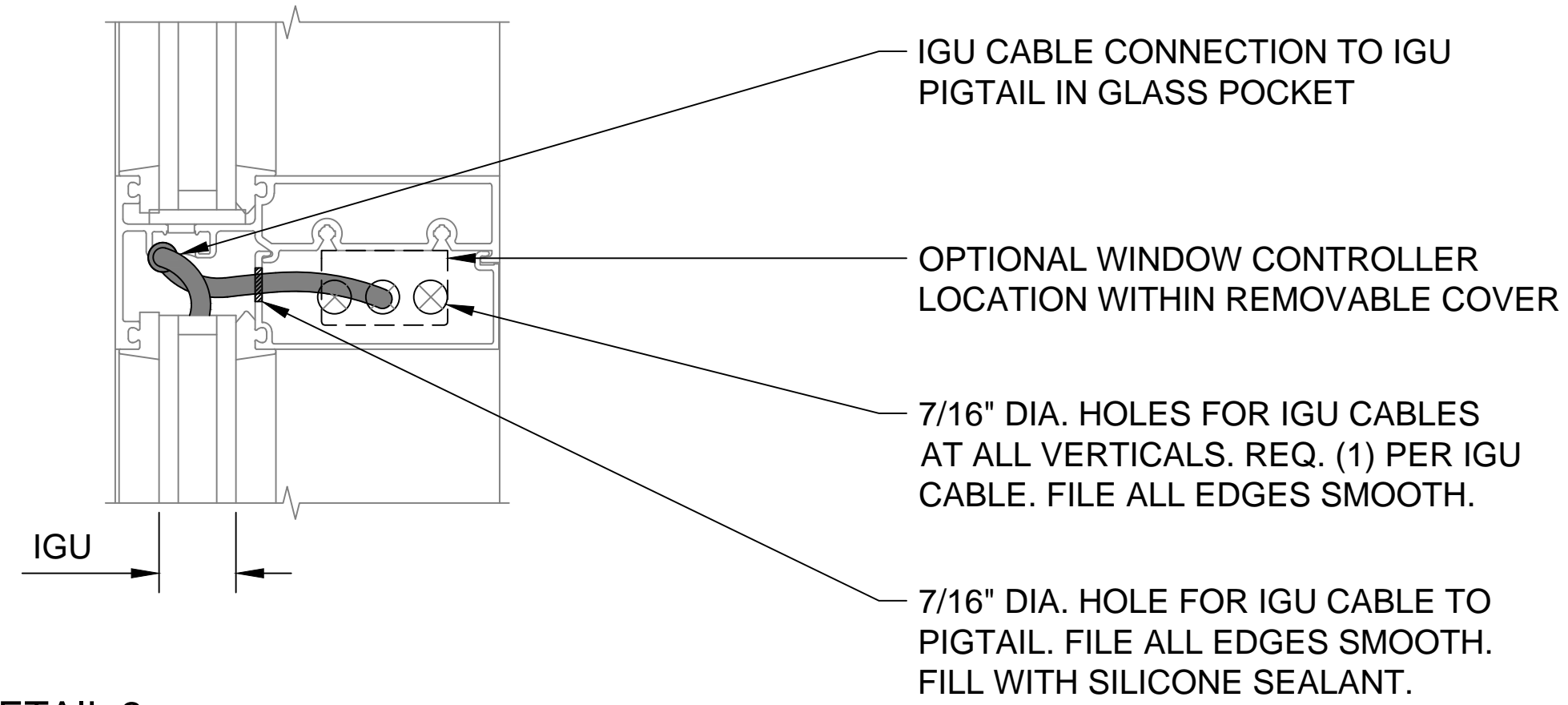
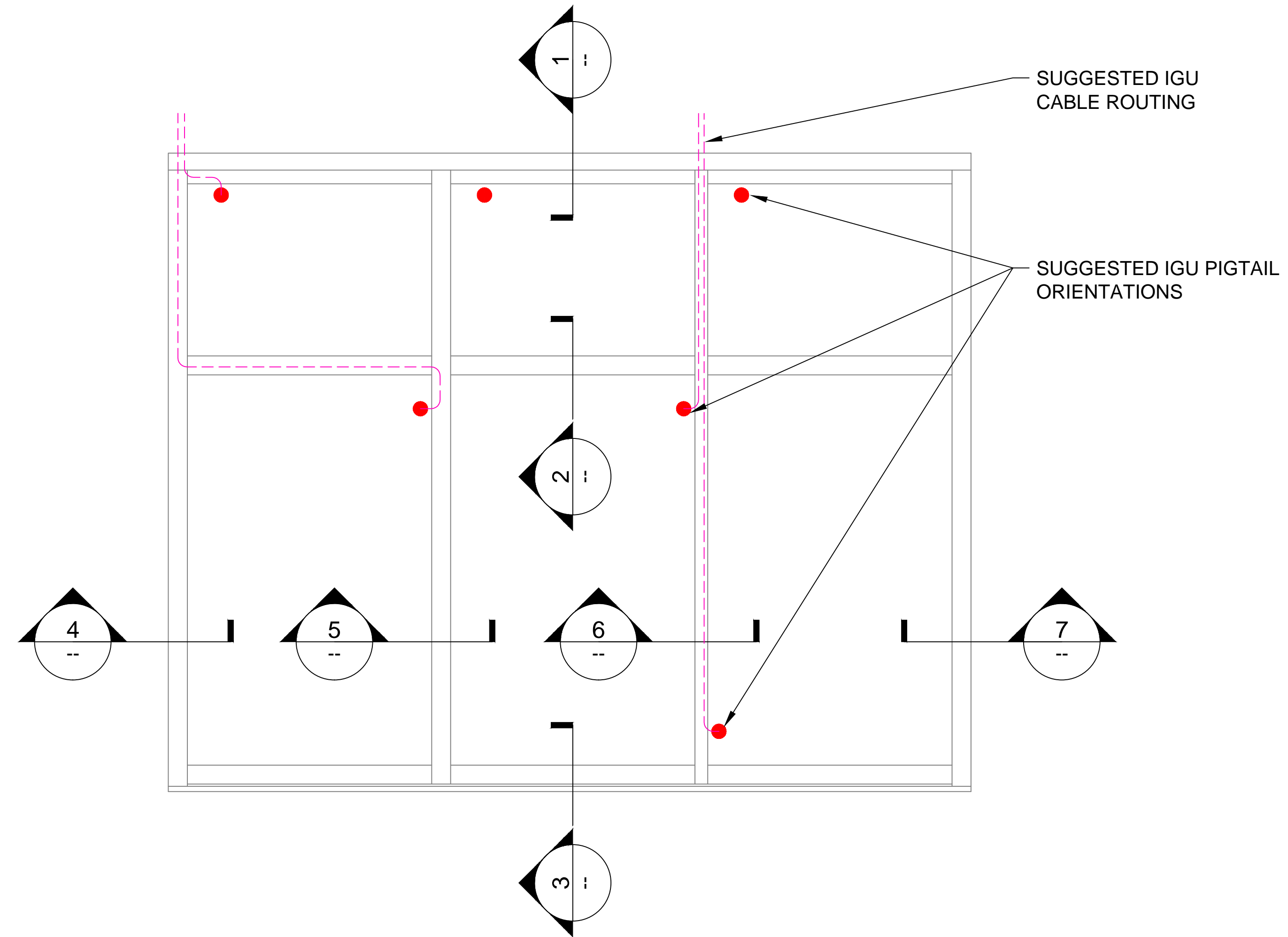


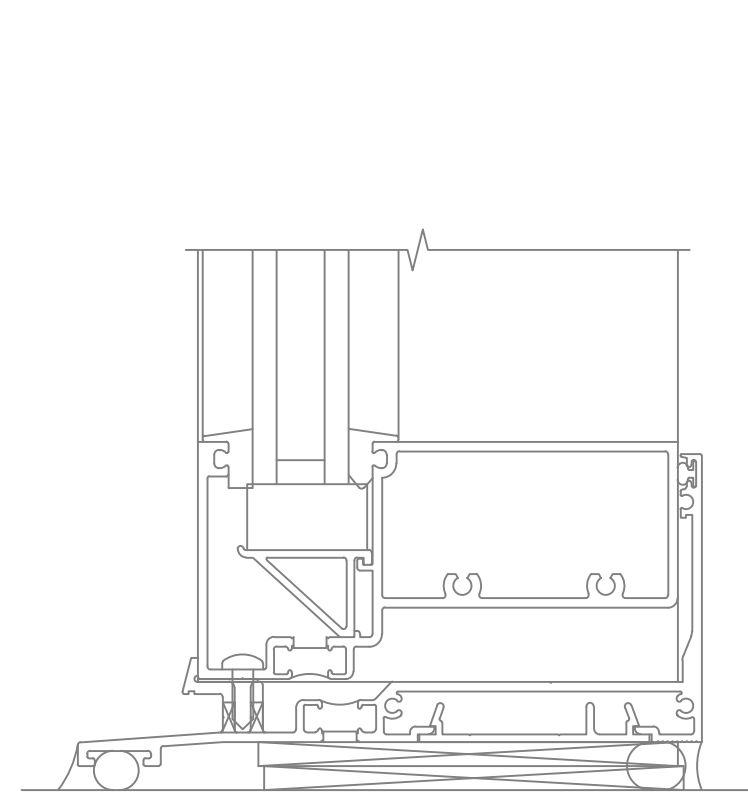
**DETAIL 1**  
HEAD



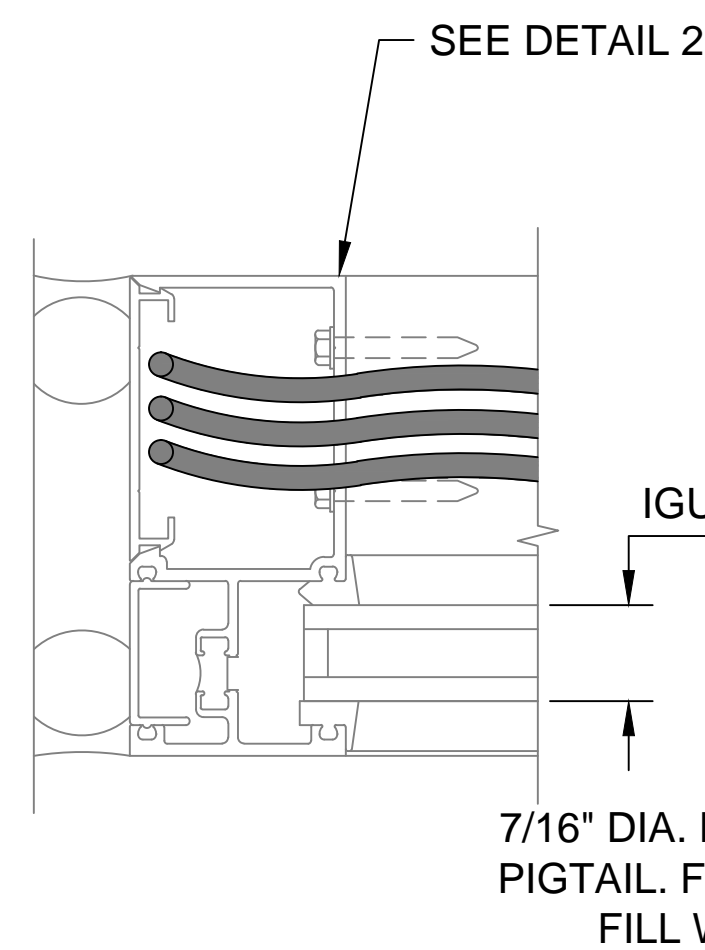
**DETAIL 2**  
HORIZONTAL MULLION



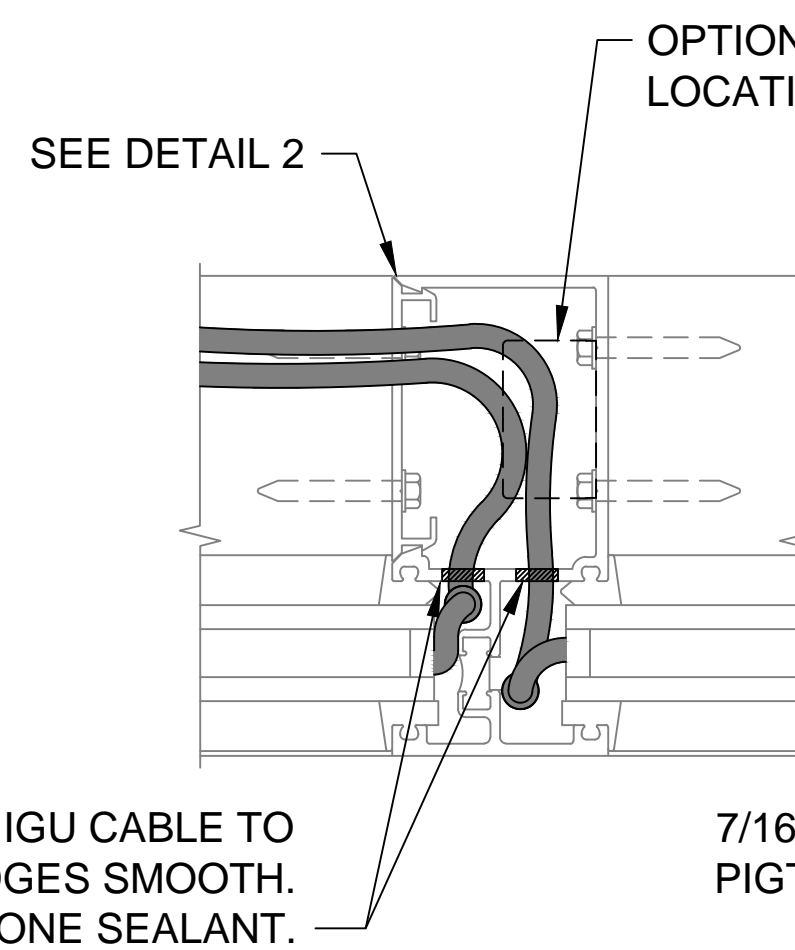
**TYPICAL ELEVATION**  
SCALE: NONE



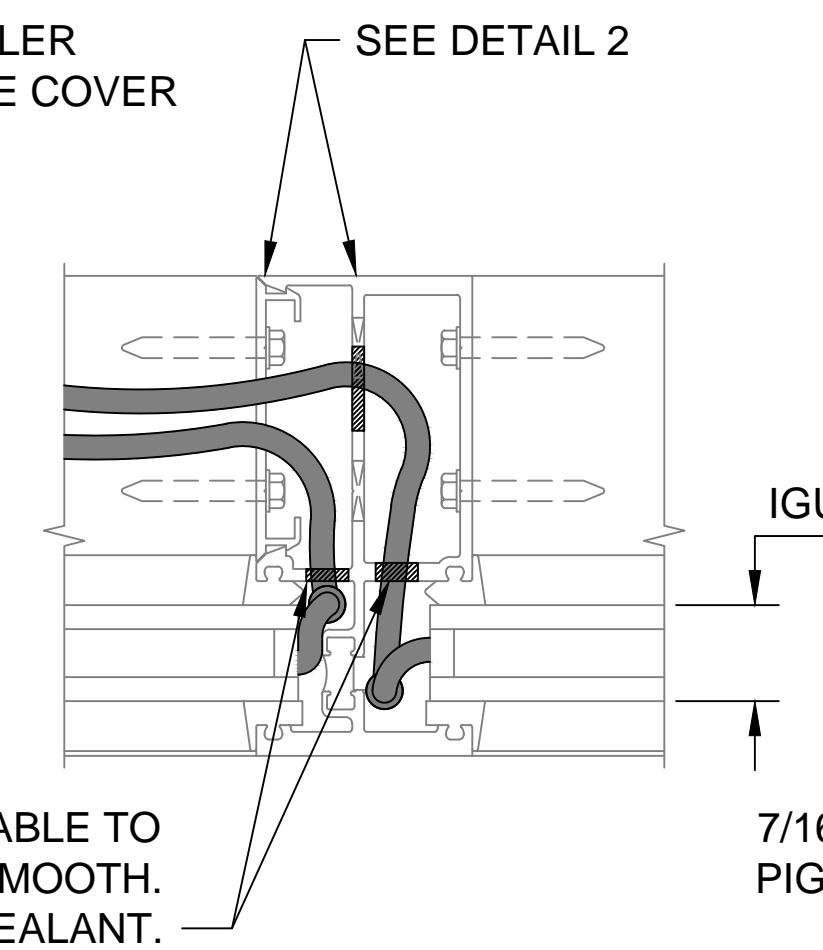
**DETAIL 3**  
SILL



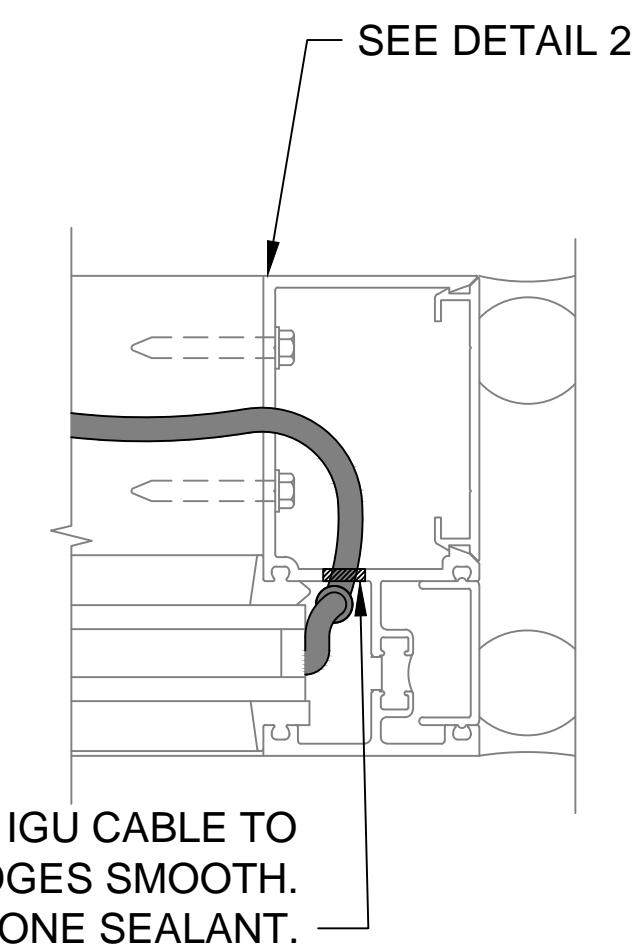
**DETAIL 4**  
LEFT JAMB



**DETAIL 5**  
VERTICAL MULLION w/ OPEN BACK



**DETAIL 6**  
HEAVY VERTICAL MULLION



**DETAIL 7**  
RIGHT JAMB

**1** INSTALLATION DETAILS: WINDOW WALL - FOR KAWNEER FG 501T

SCALE: NONE