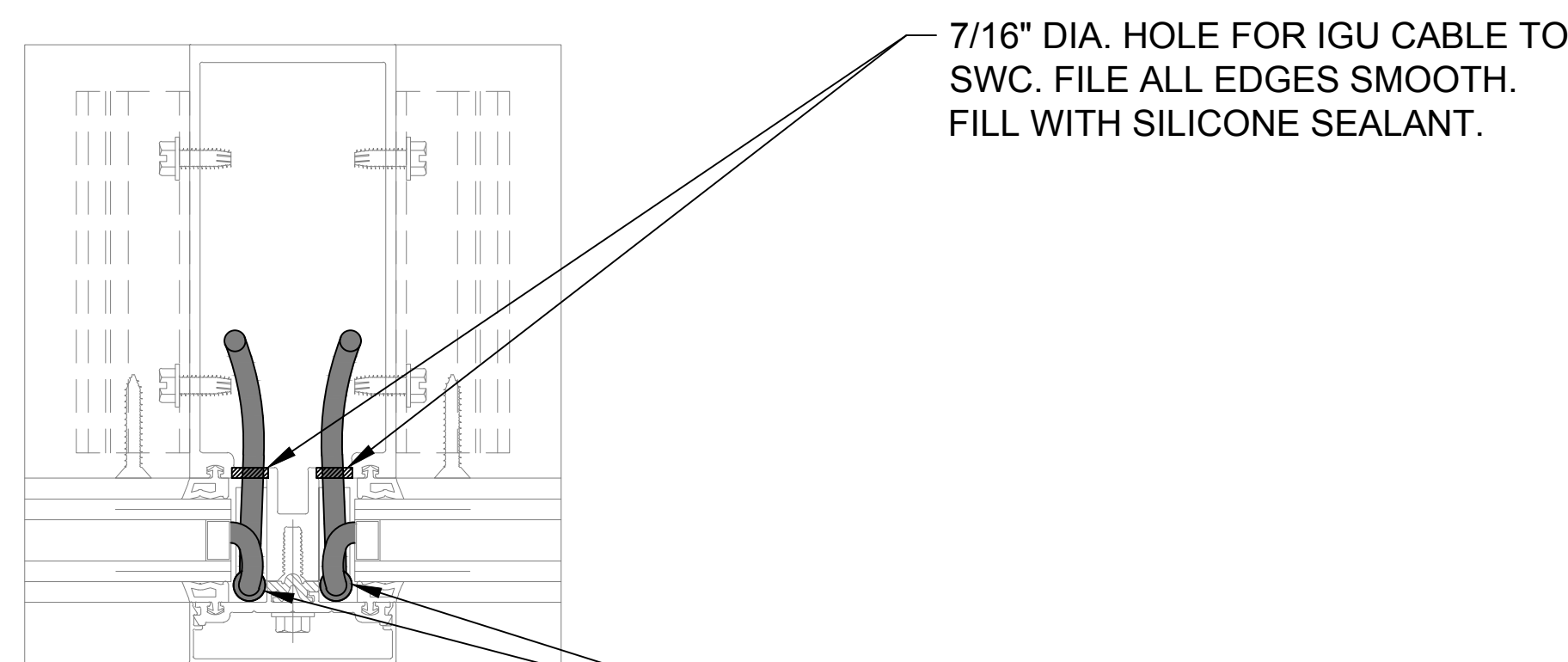
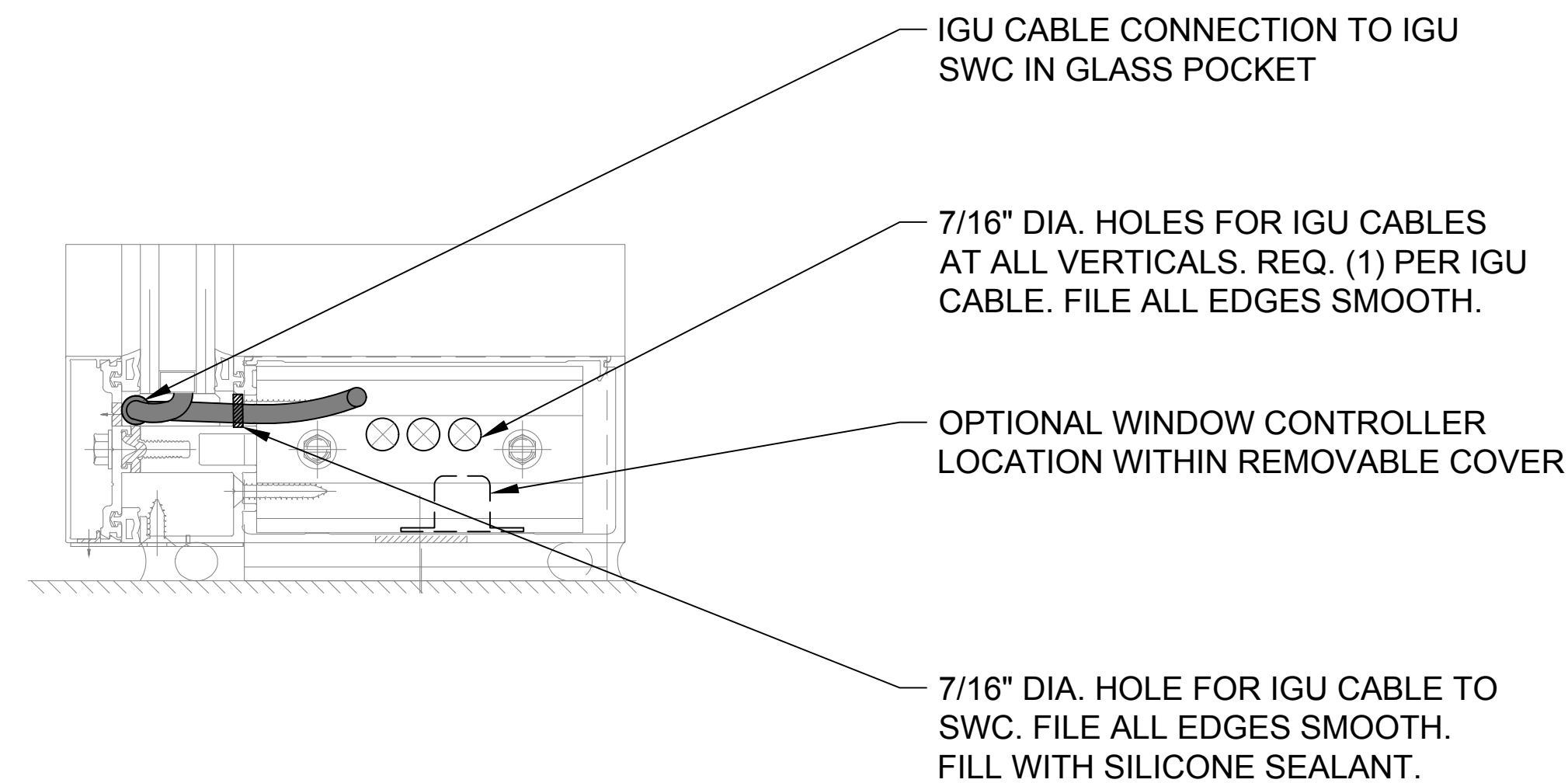


DETAIL 1
 HEAD

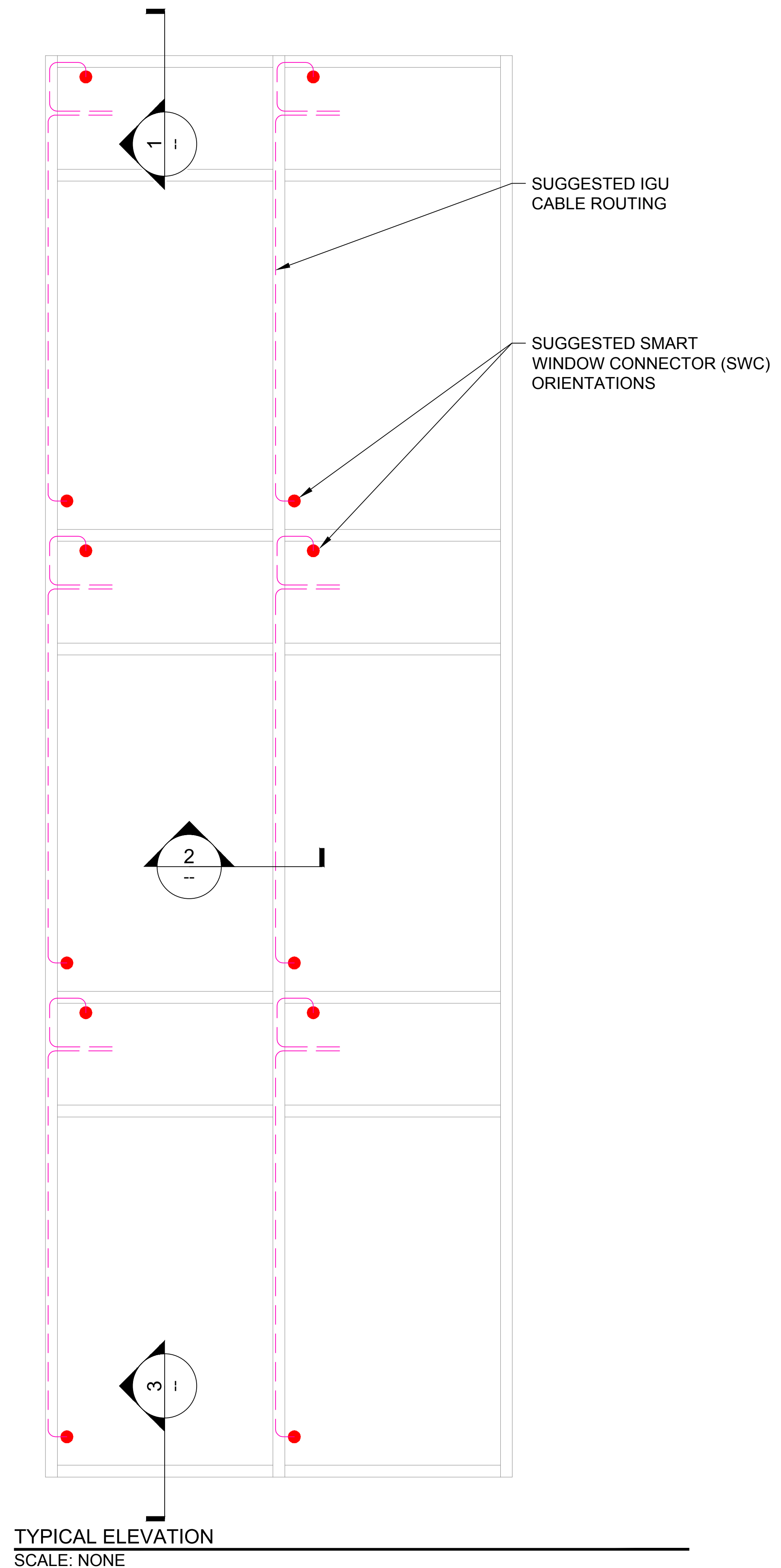


DETAIL 2
 VERTICAL MULLION



DETAIL 3
 SILL

- NOTES:
1. INSTALLER TO PROVIDE GROMMETS AT ALL FRAME PENETRATIONS WHERE POSSIBLE TO AVOID CABLE DAMAGE.
 2. INSTALLER TO LABEL IGU CABLES WITH IGU NAME TO WHICH IT IS CONNECTED.



1 INSTALLATION DETAILS: CURTAINWALL - FOR YKK YCW 750 OG