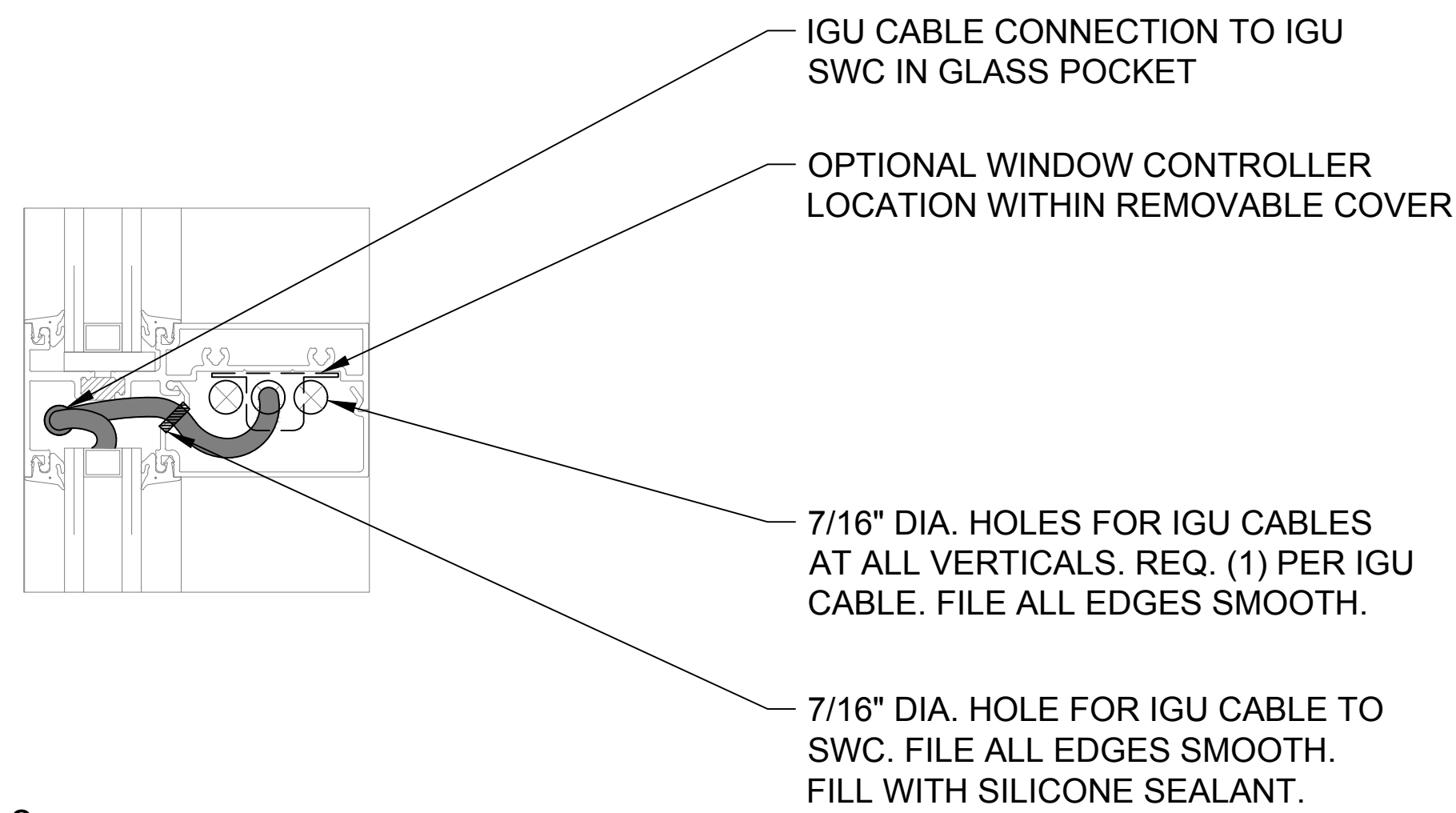
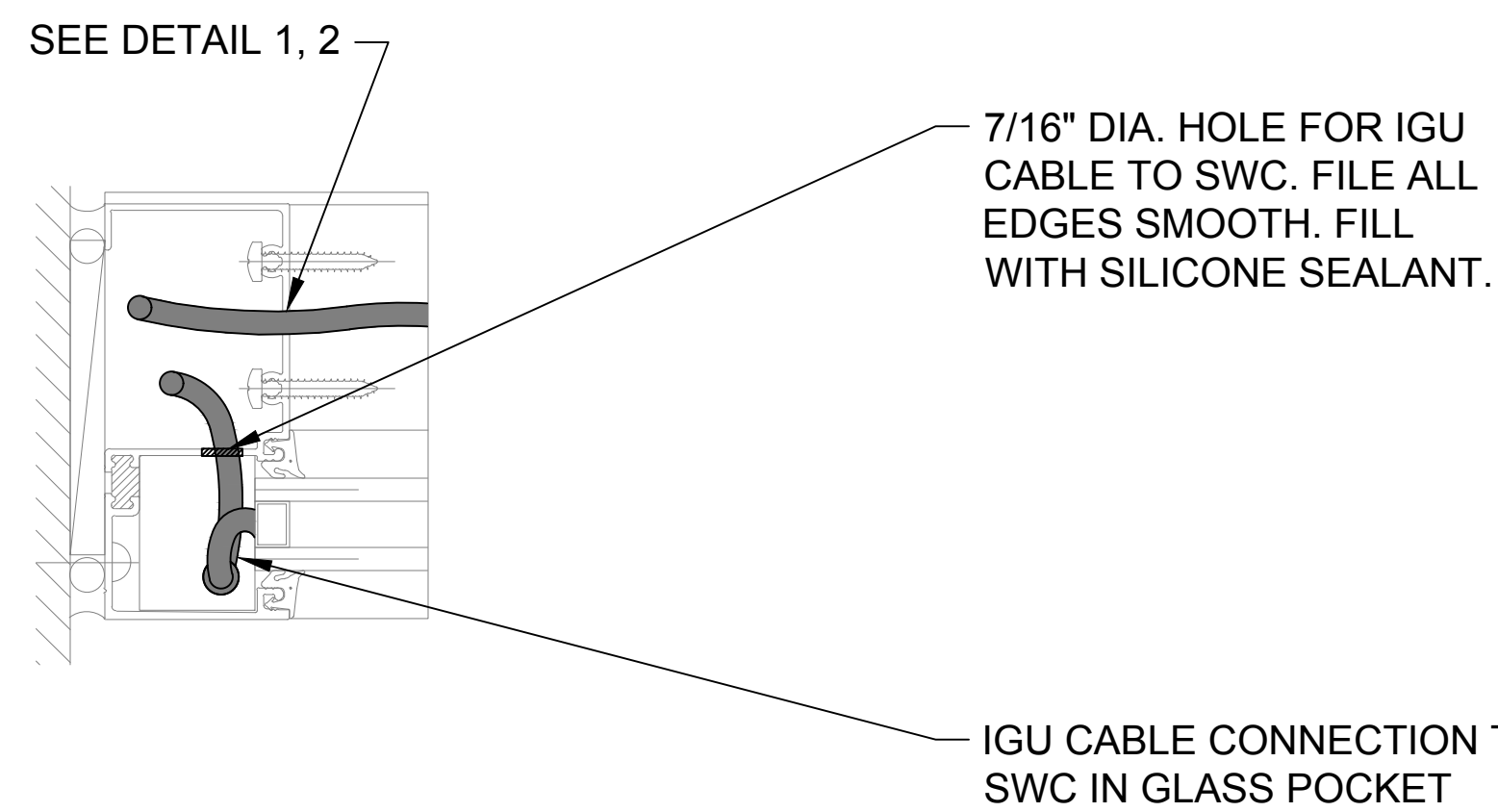


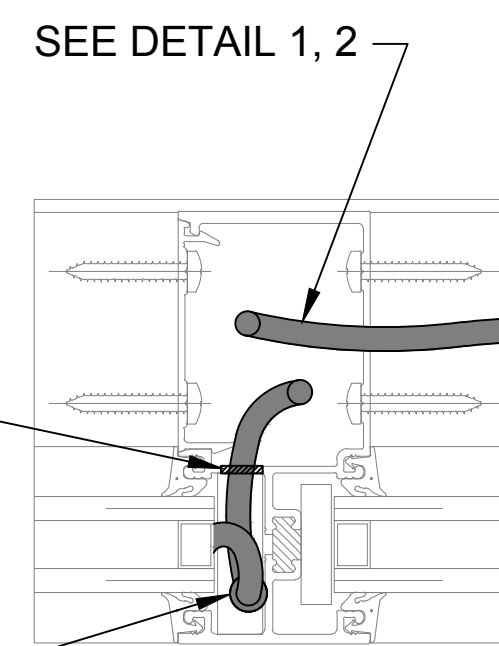
DETAIL 1
 HEAD



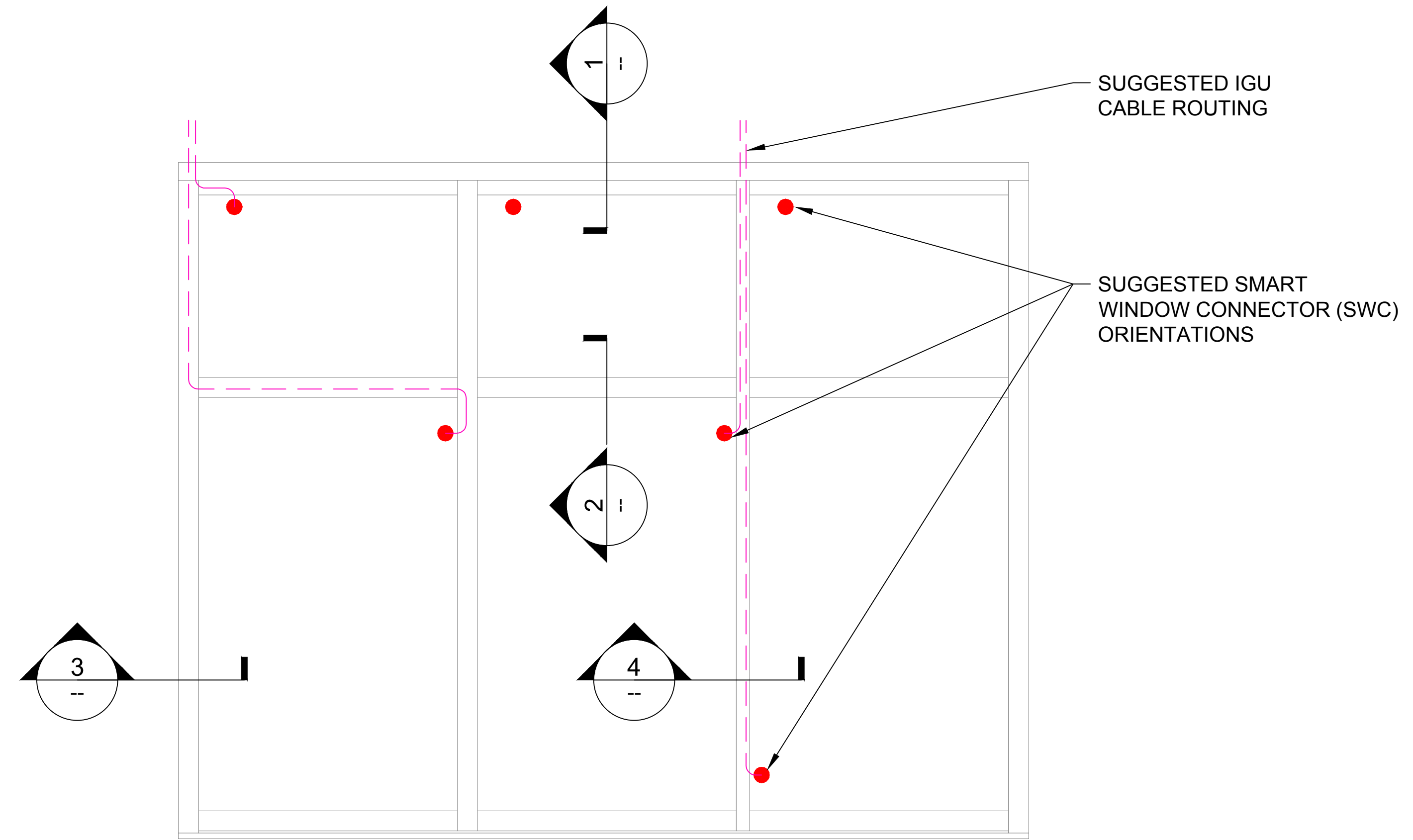
DETAIL 2
 HORIZONTAL MULLION



DETAIL 3
 LEFT JAMB



DETAIL 4
 VERTICAL MULLION



TYPICAL ELEVATION
 SCALE: NONE

- NOTES:
1. INSTALLER TO PROVIDE GROMMETS AT ALL FRAME PENETRATIONS WHERE POSSIBLE TO AVOID CABLE DAMAGE.
 2. INSTALLER TO LABEL IGU CABLES WITH IGU NAME TO WHICH IT IS CONNECTED.

1 INSTALLATION DETAILS: STOREFRONT - FOR YKK YES 45TU