

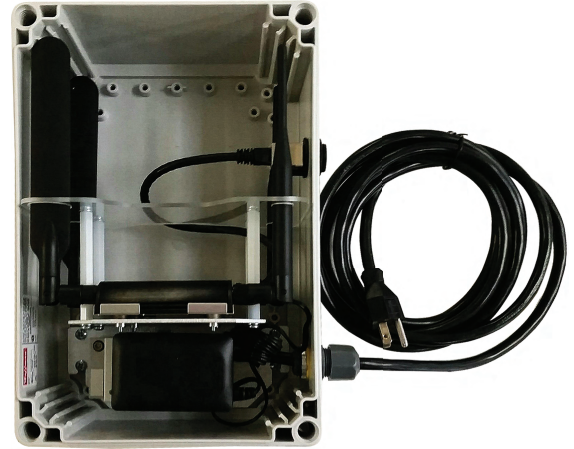
Cellular Modem Assembly

P/N 010-101130

Description

The Cellular Modem Assembly provides remote network connectivity to a View Glass system when installed with a View Control Panel. A remote connection is required as part of an overall system to allow the View technical team to monitor and to make adjustments to ensure system performance.

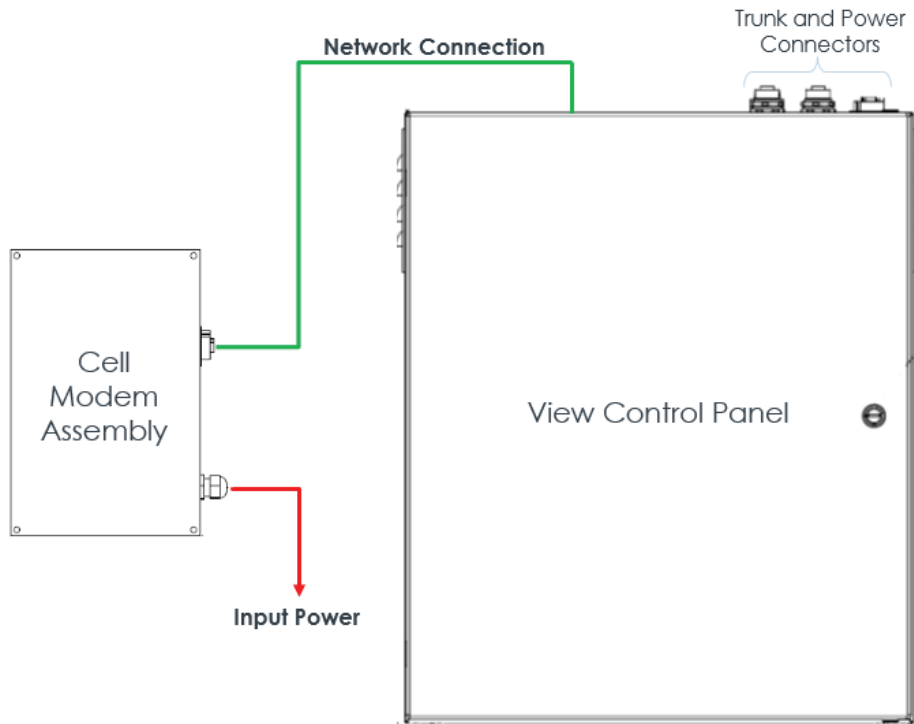
Note: The Cellular Modem Assembly is intended only as a temporary remote connectivity solution. Installation of a permanent remote connection solution is recommended for best performance.



Features

- Cellular modem is securely mounted inside a protective enclosure.
- RJ45 Ethernet bulkhead connector for quick network connection to a control panel.

Installation Overview



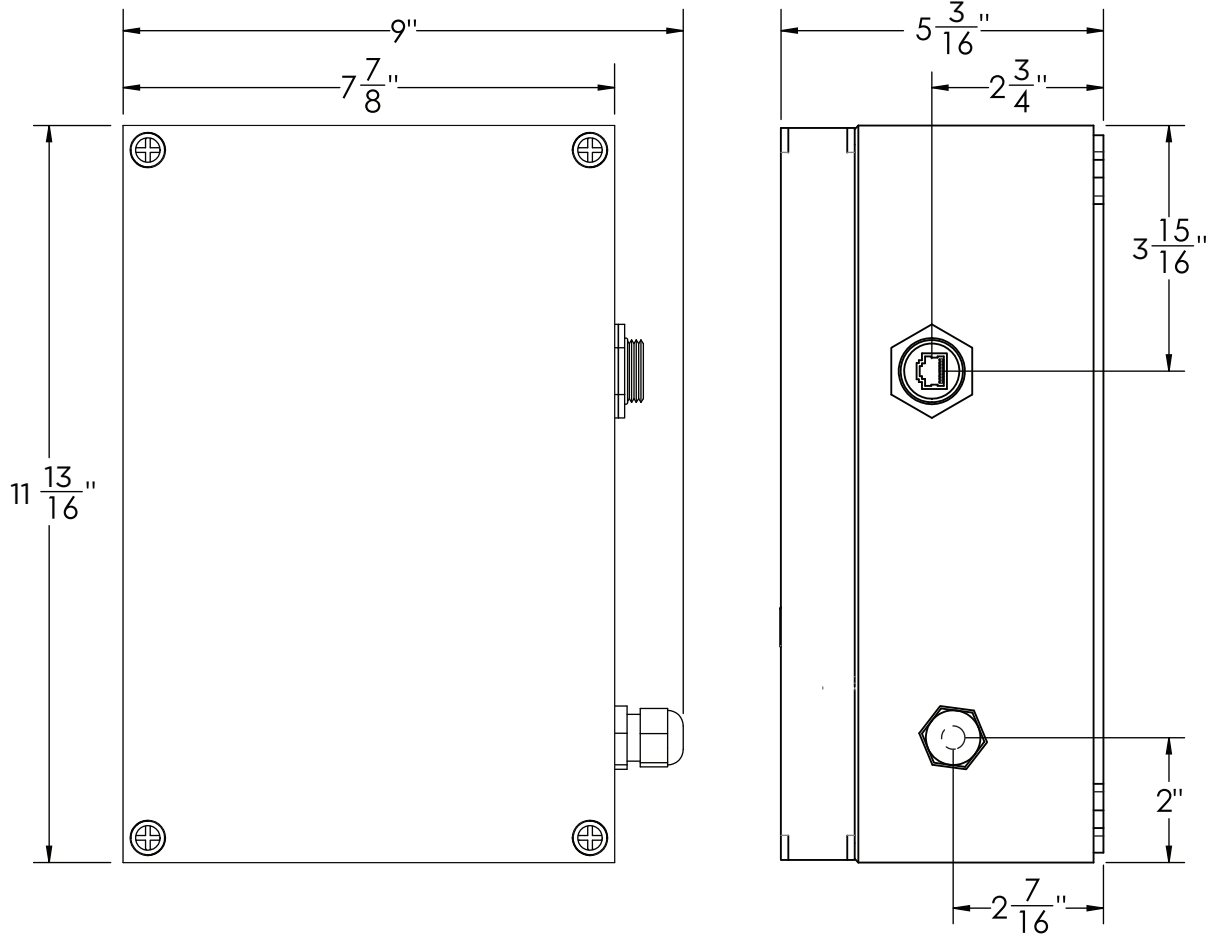
Project Submittal Information

JOB NAME:	NOTES:
JOB NUMBER:	

Cellular Modem Assembly

P/N 010-101130

Dimensions



Specifications

Assembly Input Power	110/120VAC 60Hz
Enclosure	Wall-Mount Enclosure, type 4X Polycarbonate
Cellular Modem	3G/4G cellular modem with 802.11 Wi-Fi & LAN connectivity

Project Submittal Information

JOB NAME:	NOTES:
JOB NUMBER:	