

Door Loop Installation Instructions

Distribution Statement: This manual may not be distributed, duplicated, sold, or used without consent of View Inc. By downloading this document, it is the user's responsibility to make sure they have the latest copy of this publication.

Usage Statement: Our technical manuals are prepared as tools designed to inform our employees and customers of technical data as it relates to our products and services. It is our goal to help you make informed decisions when designing, specifying, ordering, installing, or maintaining View products.

View Inc. makes no guarantee as to the accuracy of information obtained from outside sources. Whenever possible, links will be provided for additional information.

General Information

The Door Loop is used to connect a window controller to a Dynamic IGU when a component that moves is in the path of the IGU cable. It has been specifically designed and tested by View. It uses industry standard cutout dimensions with some specific requirements that are unique to this product.

These instructions are for use to install Door Loop View Inc. model number VP - DL - AL - 18 - 000 (Aluminum finish), VP - DL - BZ - 18 - 000 (Bronze finish) and VP - DL - BK - 18 - 000 (Black finish) or VP - DL - SS -18 - 000 (an alternate design; Stainless Steel finish).

Warranty

Using a View Door Loop will maintain the View warranty; the use of any other similar product not provided by View will void the warranty. For more information, see the View Operables Warranty.

Parts List

The Door Loop package contains the following parts:

- A Door Loop assembly
- Mounting Screws for Door Loop

Required Tools

Once the door or window has been prepared, the following tool is needed to install the Door Loop:

- Phillips Screwdriver

Specifications

This product can be used for:

- Doors
- Windows, Awning, Hopper
- Some limited use with K-bar style windows

This product cannot be used for

- Center Hung Doors
- Sliding Doors or Windows

Electrical

- The Door Loop is a low voltage product and is only for use with View IGU cable and controls to control View Dynamic Glass
- This product uses an IP rated connector to transfer power and communication to and from the IGU

Door Loop Connection Detail

1. Be sure that the IGU cable (from the Window Controller) can be pulled through the cutout for the Door Loop, with approximately two inches of it clear of the frame so that the connection between the Door Loop and the IGU cable can be made.
2. Check that the IGU cable coming from the Window Controller is a Female and the Door Loop cable going to the Door's IGU is a Male.



Figure 1 - Door Loop Assembly - View model number VP - DL - xx - 000
(Figure 4 shows an alternate design)

3. Mount the Window Controller within the specifications outlined in the View Design Guide, pay special attention so that the total wire length from the controller to the IGU is within those limits.
4. Openings in the walls will be required to gain access into the space in the framing system so that the Flex Loop can be connected (figure 2).

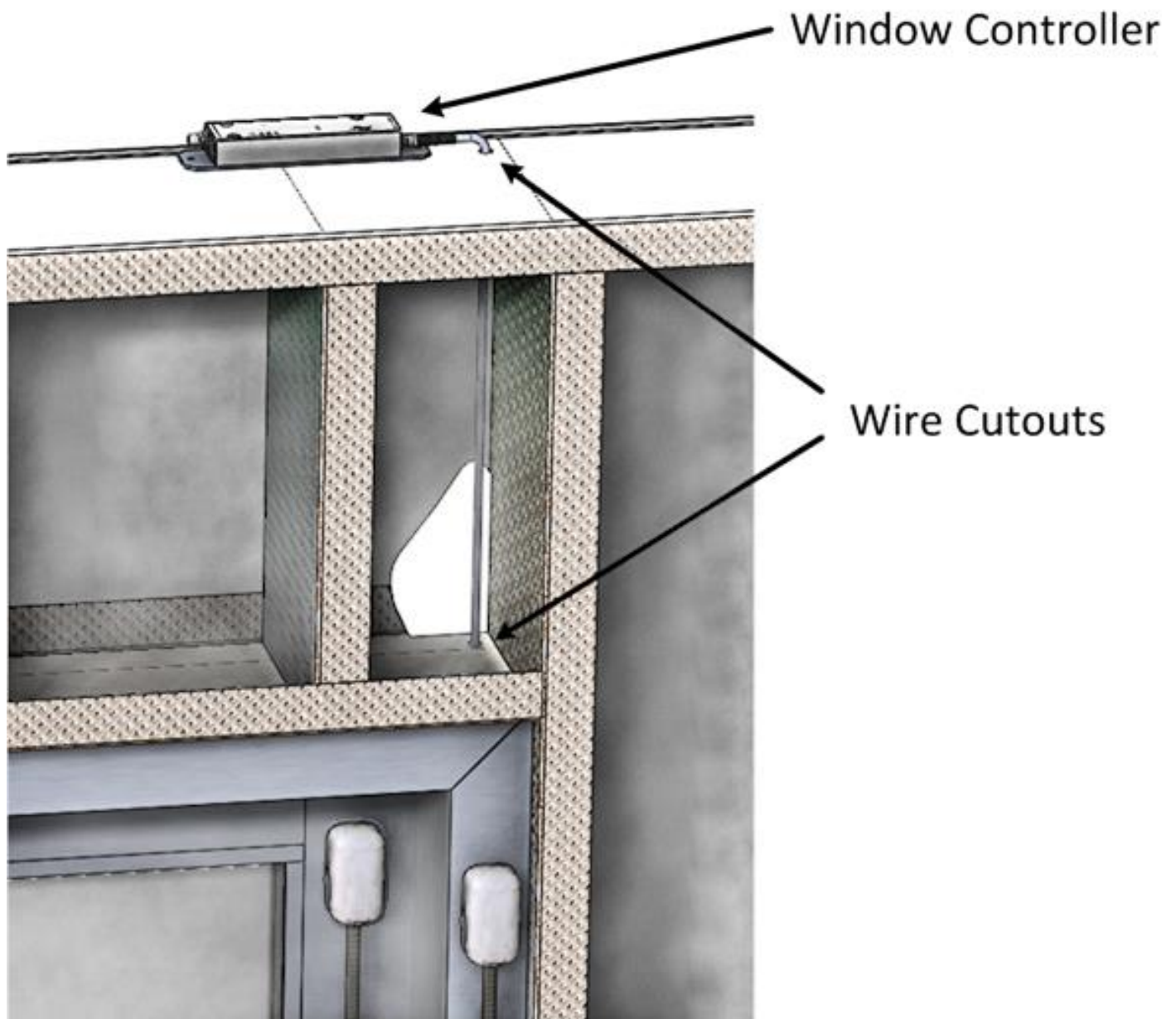


Figure 2 – Wire Cutout Examples

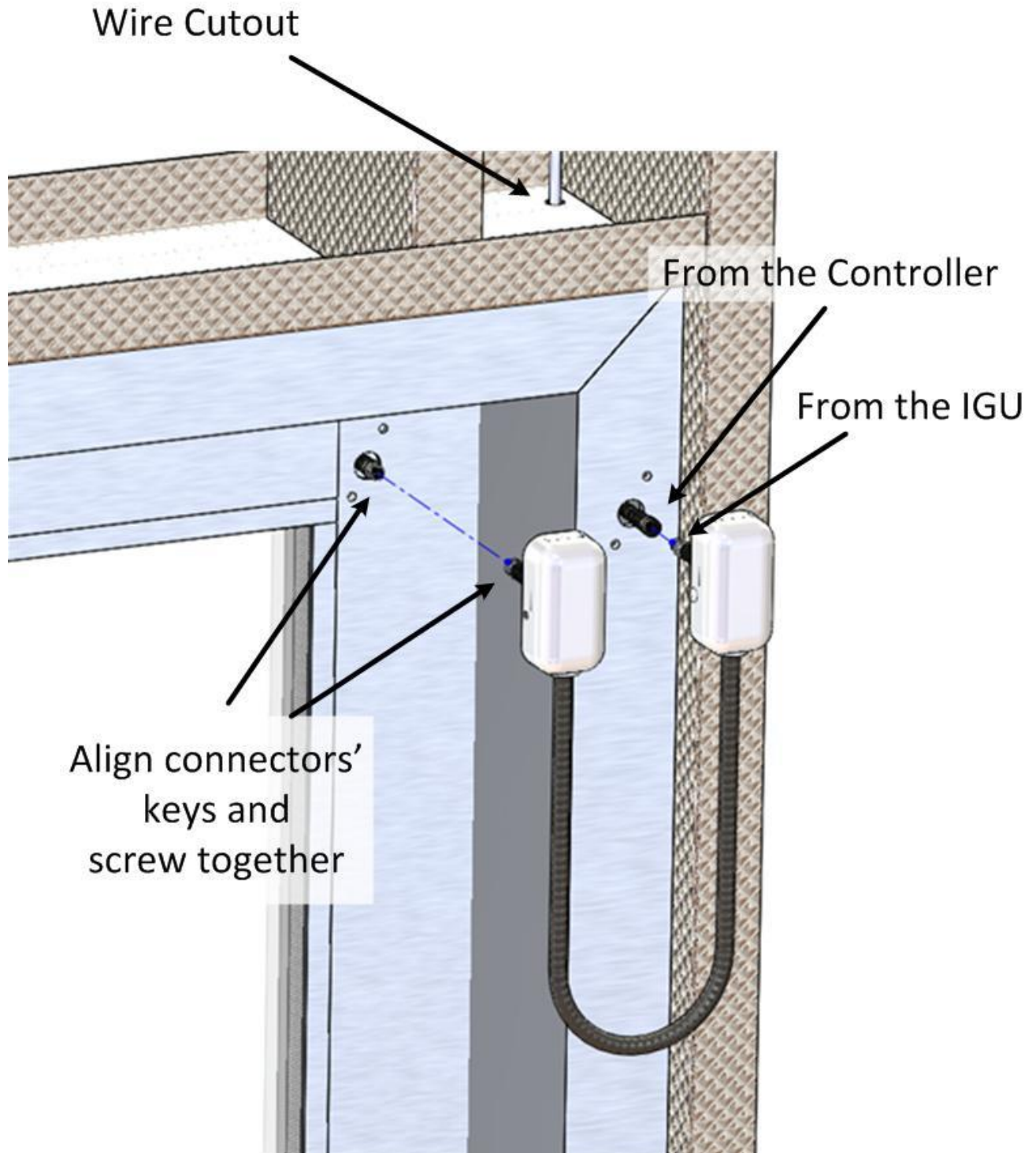
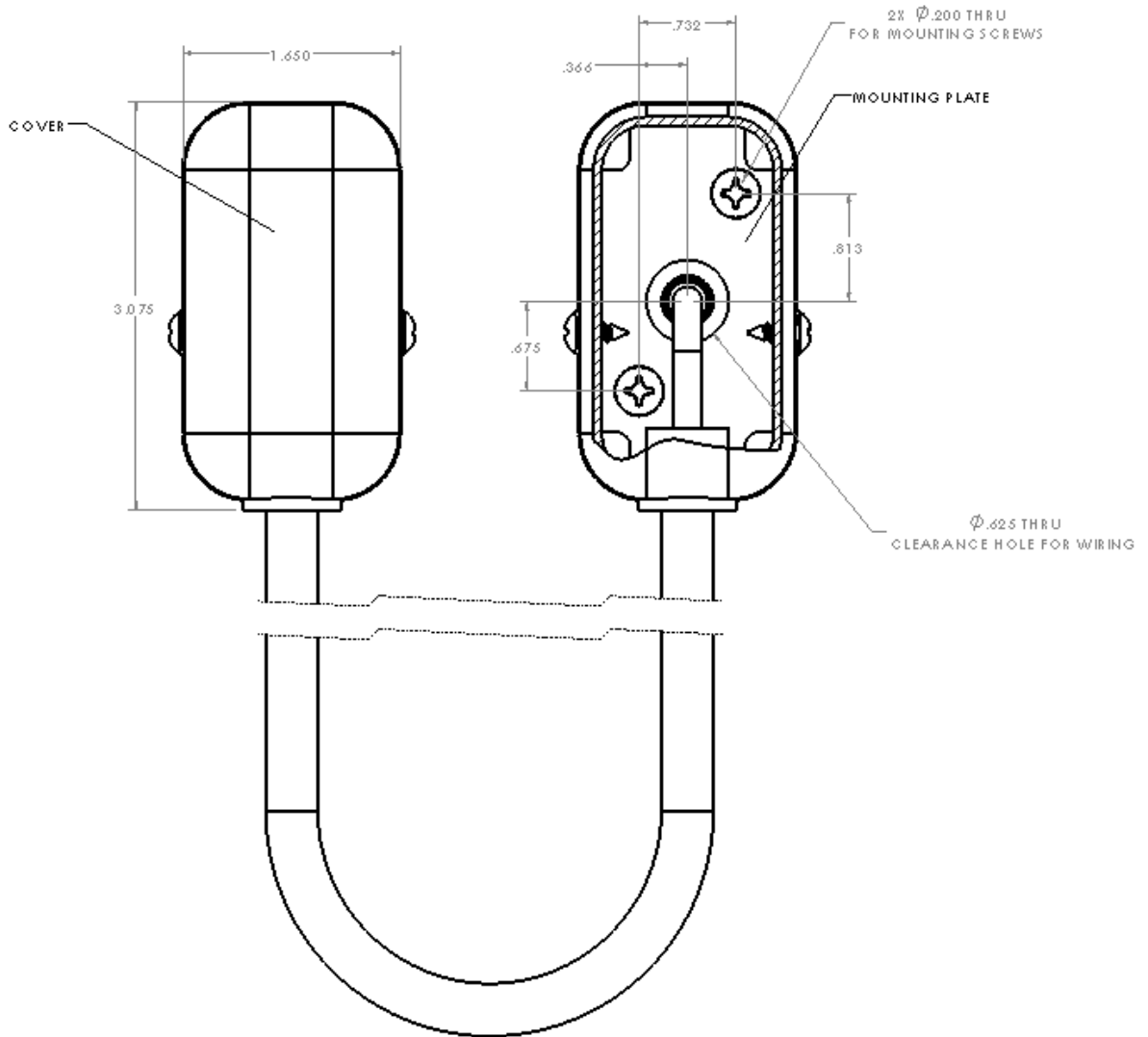


Figure 3 - Door Loop Install Diagram



Figure 4 - An alternate design Door Loop Assembly -
View model number VP - DL - SS - 000

Cutout Template



Alternate Cutout Template

