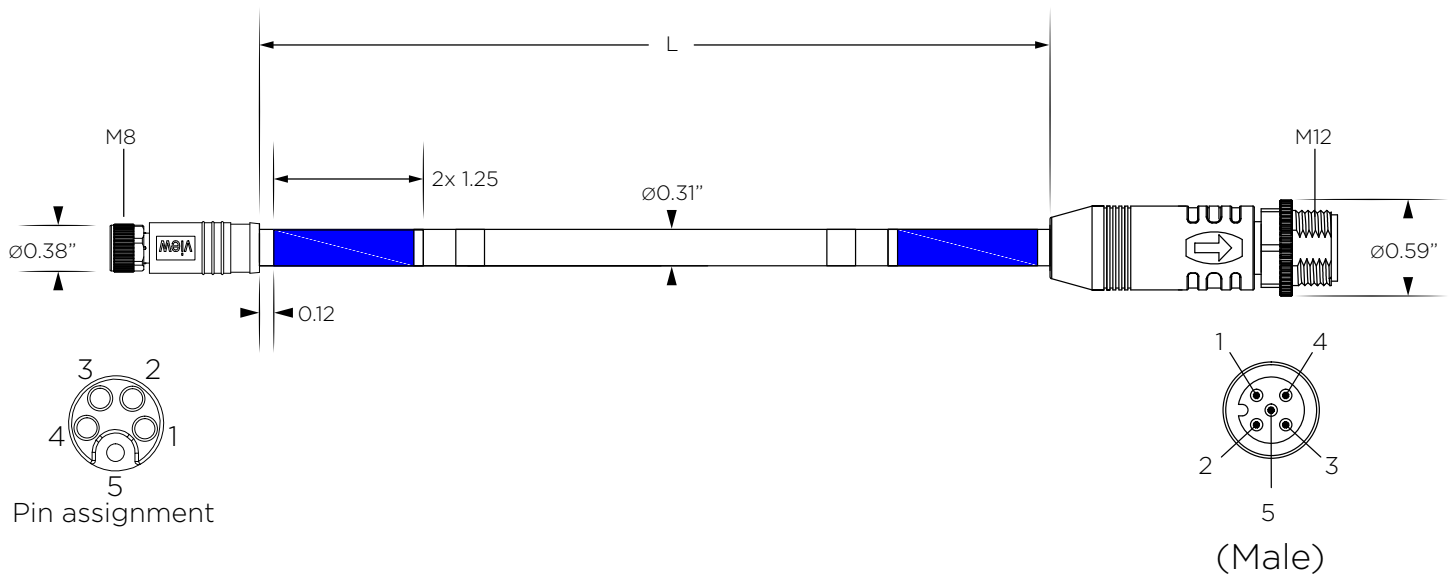


Drop Cable

Product Description

The drop cable connects the window controllers to the trunk cable. The smaller M8 connection ties to the window controller and the larger M12 connection ties to the trunk connector.

Dimensions



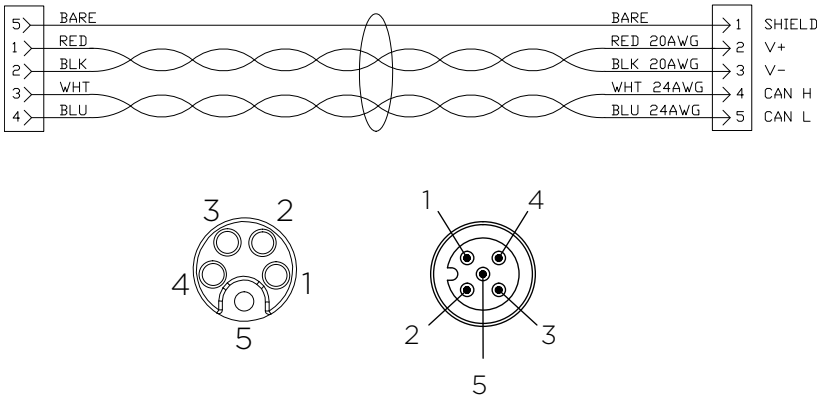
Length Chart

LENGTH CHART																					
XX*	01	02	03	04	05	06	07	08	09	10	11	12	13	14	15	16	17	18	19	20	21
Length (ft)	1	2	3.3	4.9	6.6	8.2	9.8	11.5	13.1	14.8	16.4	18	19.7	21.3	22.9	24.6	26.2	27.9	29.5	31.1	32.8
Length (m)	0.3	0.6	1	1.5	2	2.5	3	3.5	4	4.5	5	5.5	6	6.5	7	7.5	8	8.5	9	9.5	10

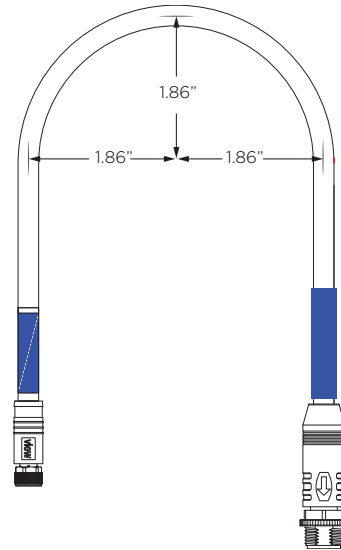
Drop Cable

Wiring Diagram

Wiring Diagram



Bend Radius



Specifications

Housing Material	Injection molded plastic
Max Current	4A
Max Voltage	300V
Bend Radius	1.86" minimum bend radius is six times the cable diameter
Cable Rating	All cables are IP67 rated. Communications, Plenum cable (CMP) rated cables are available.
Warranty	All cables and components carry a warranty for a period of 5 years from date of delivery by View. Refer to standard warranty terms and conditions for more details.
Jacket	PVC
Rated Temperature (C°)	-20° to 80°C (Non-Plenum) -20° to -75°C (Plenum)

Ordering Information

Part Number	Description
380-101512-XX	Non-Plenum <i>(Replace XX desired part numbers corresponding to length (in feet/meter))</i>
380-101510-XX	Plenum <i>(Replace XX desired part numbers corresponding to length (in feet/meter))</i>