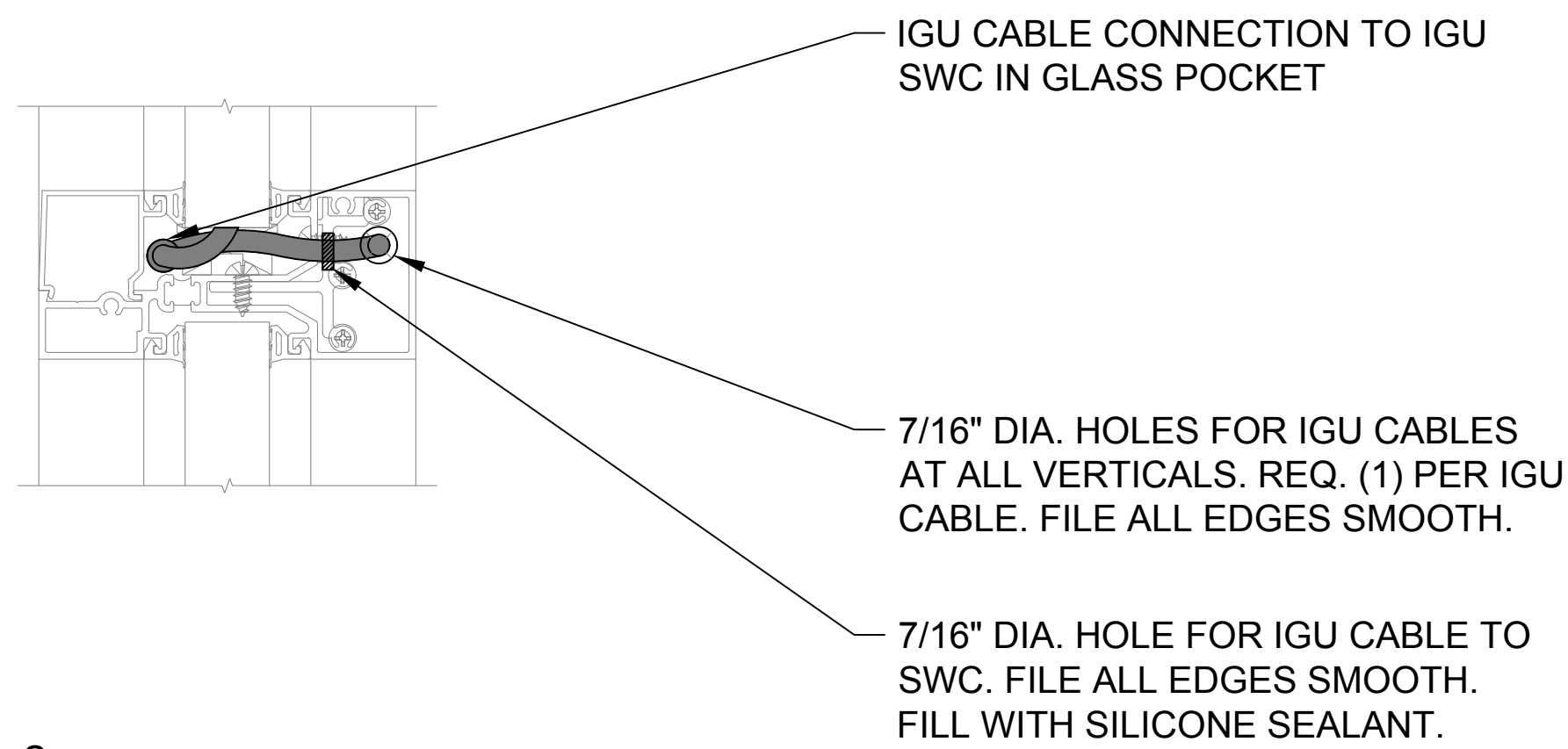
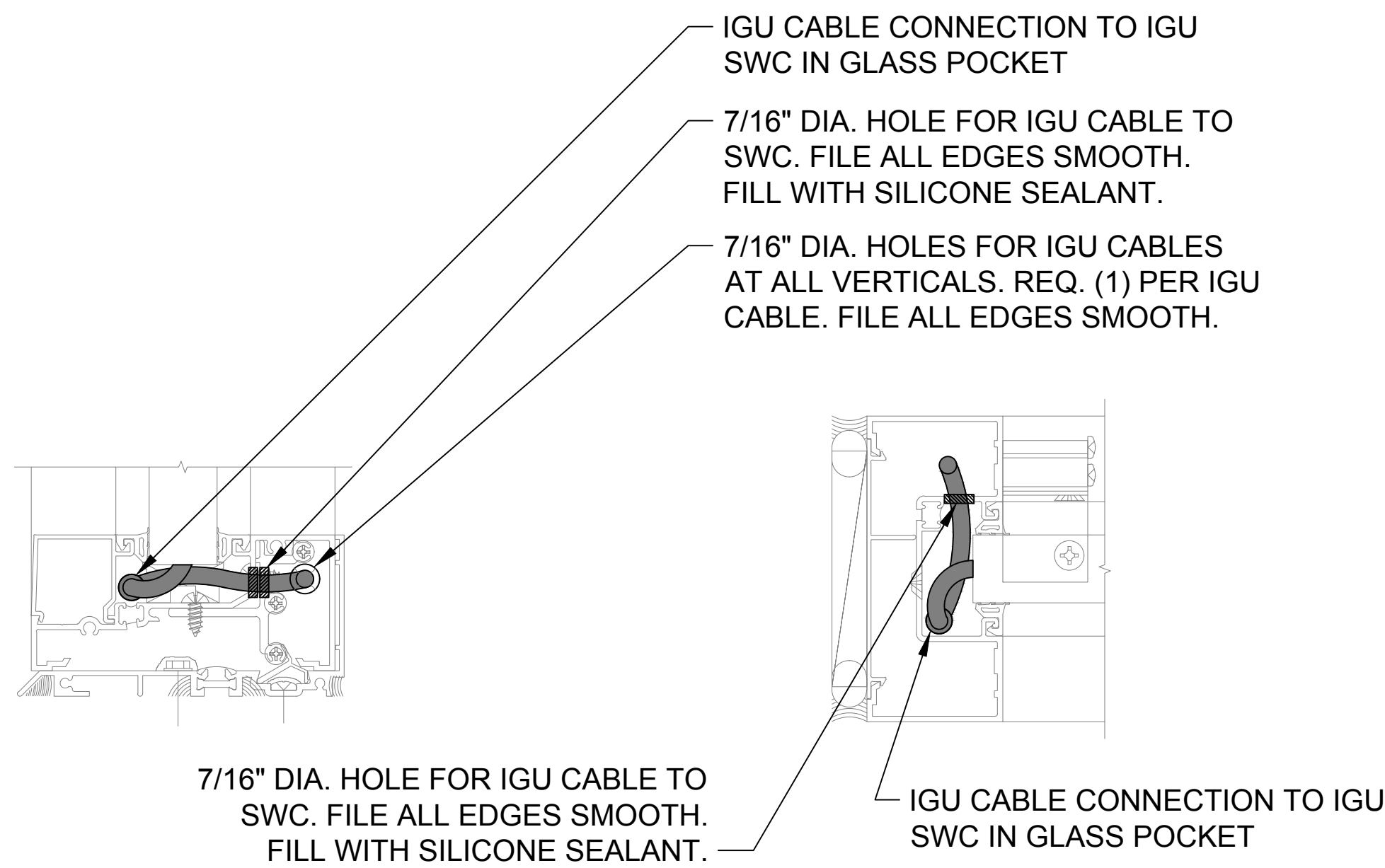


DETAIL 1
HEAD

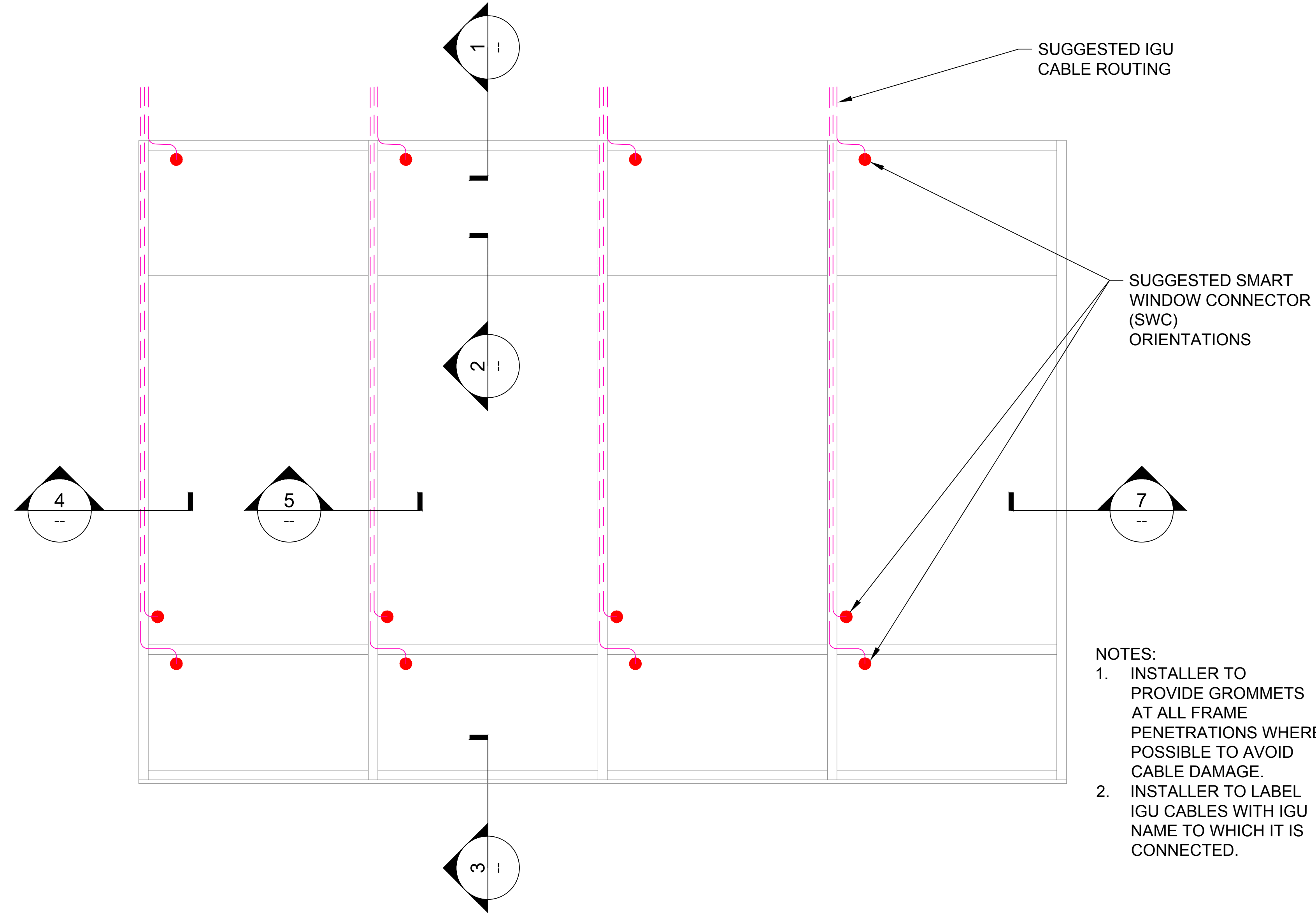


DETAIL 2
HORIZONTAL MULLION



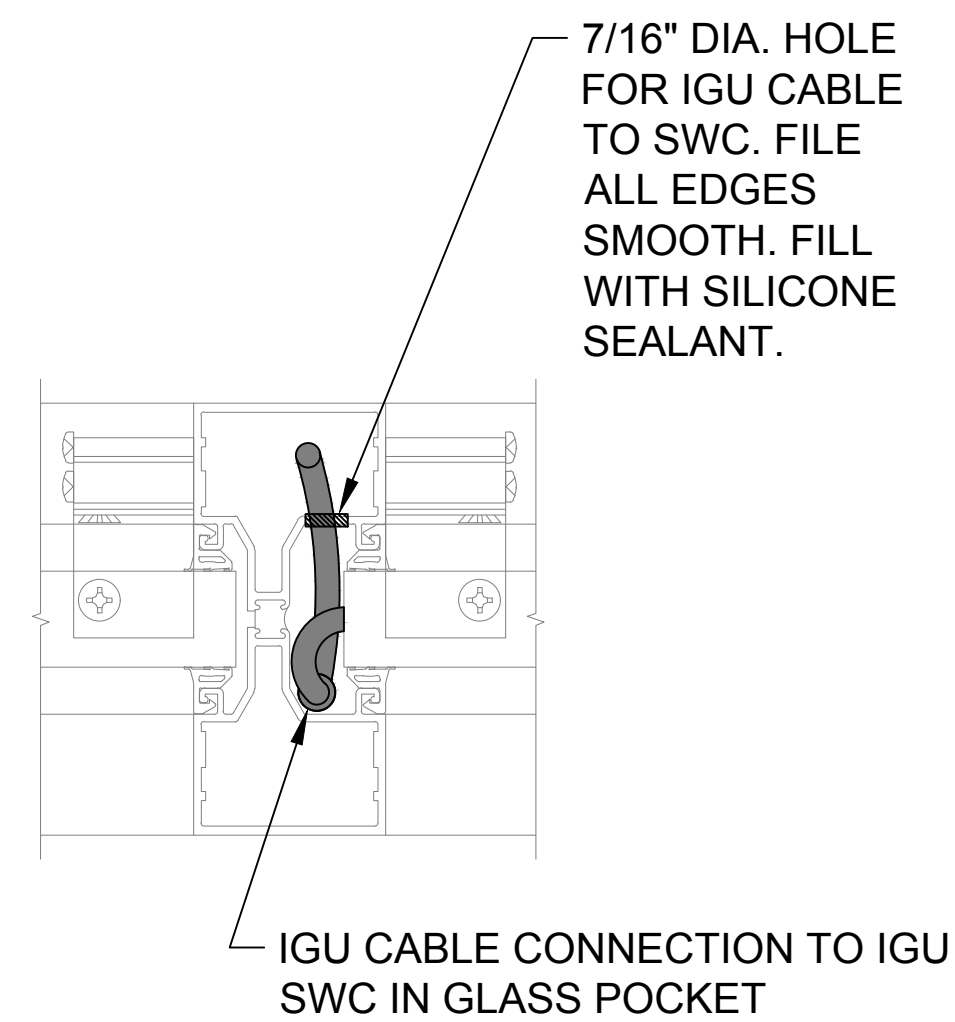
DETAIL 3
SILL

DETAIL 4
LEFT JAMB

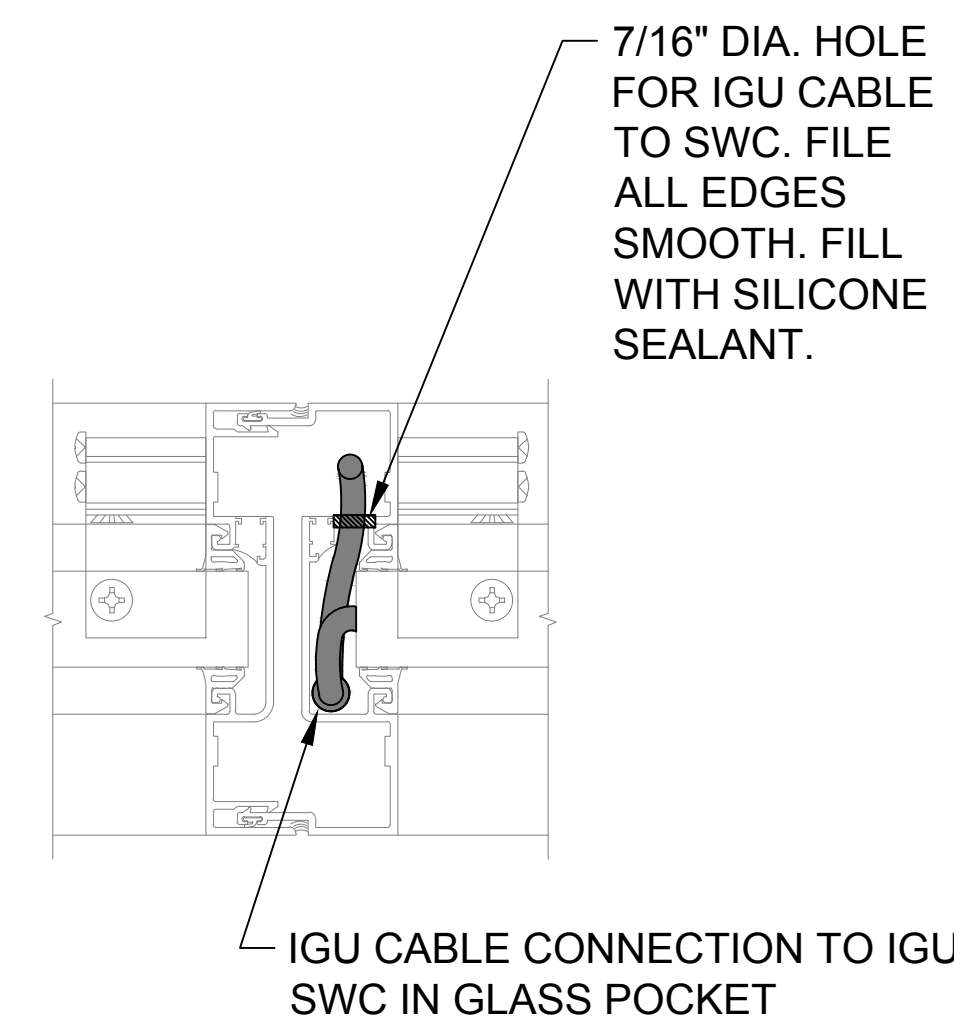


TYPICAL ELEVATION
SCALE: NONE

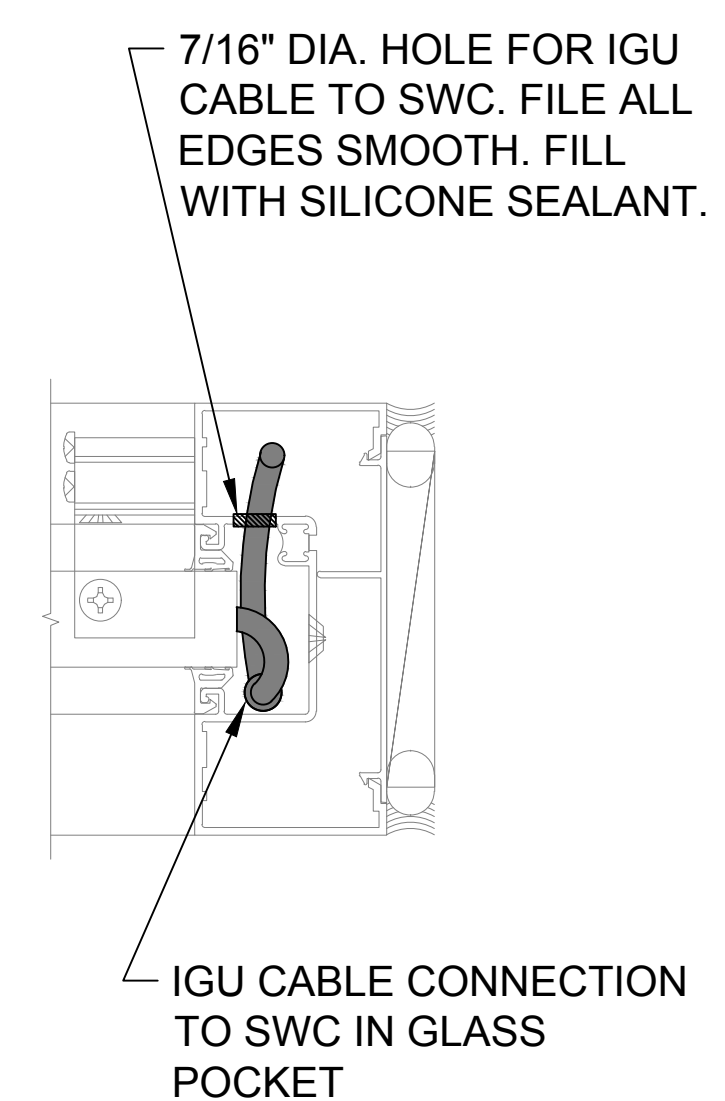
- NOTES:
1. INSTALLER TO PROVIDE GROMMETS AT ALL FRAME PENETRATIONS WHERE POSSIBLE TO AVOID CABLE DAMAGE.
 2. INSTALLER TO LABEL IGU CABLES WITH IGU NAME TO WHICH IT IS CONNECTED.



DETAIL 5
VERTICAL MULLION



DETAIL 6
VERTICAL MULLION



DETAIL 7
RIGHT JAMB

1 INSTALLATION DETAILS FOR EFCO SERIES 403 T, SHEAR BLOCK FRAMING

SCALE: NONE