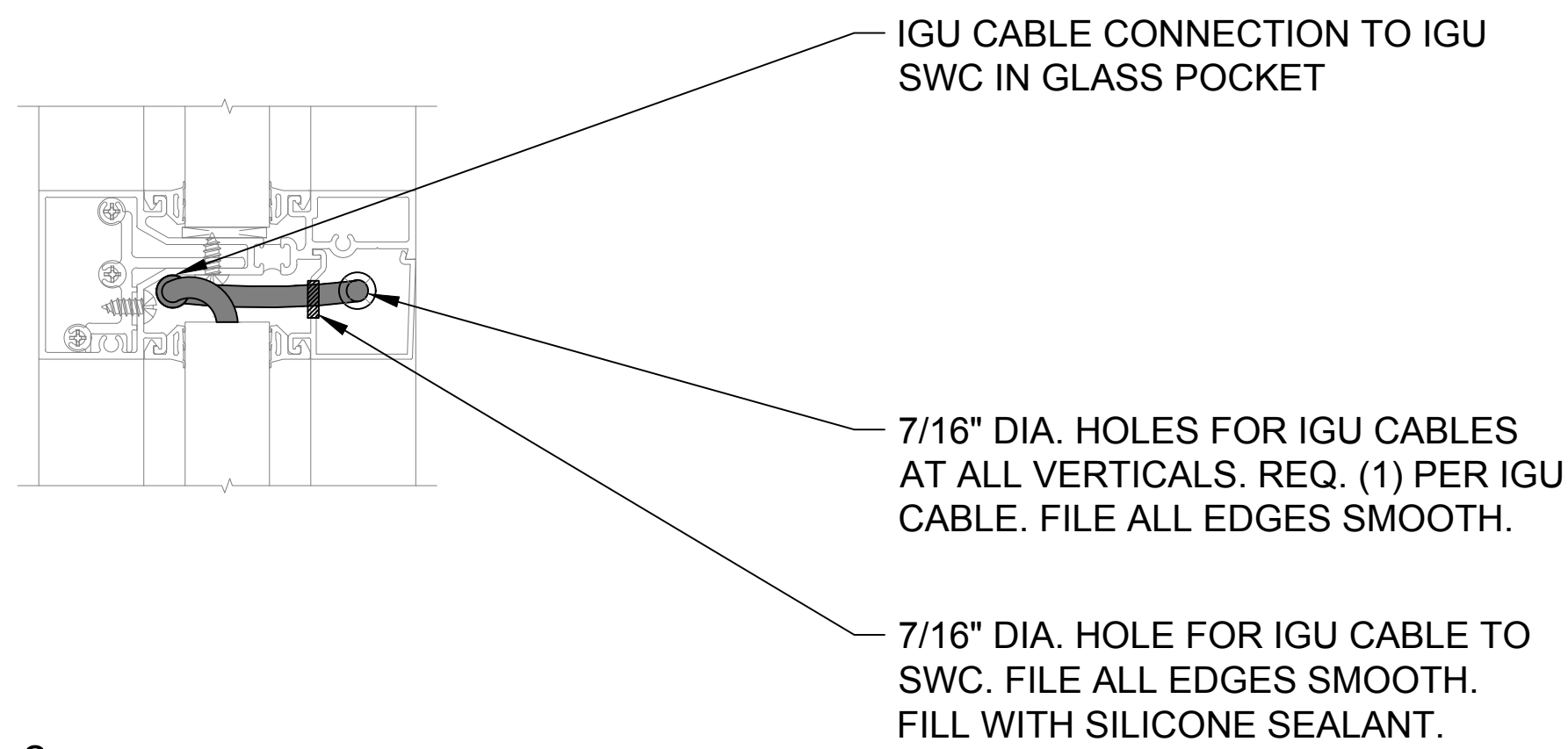
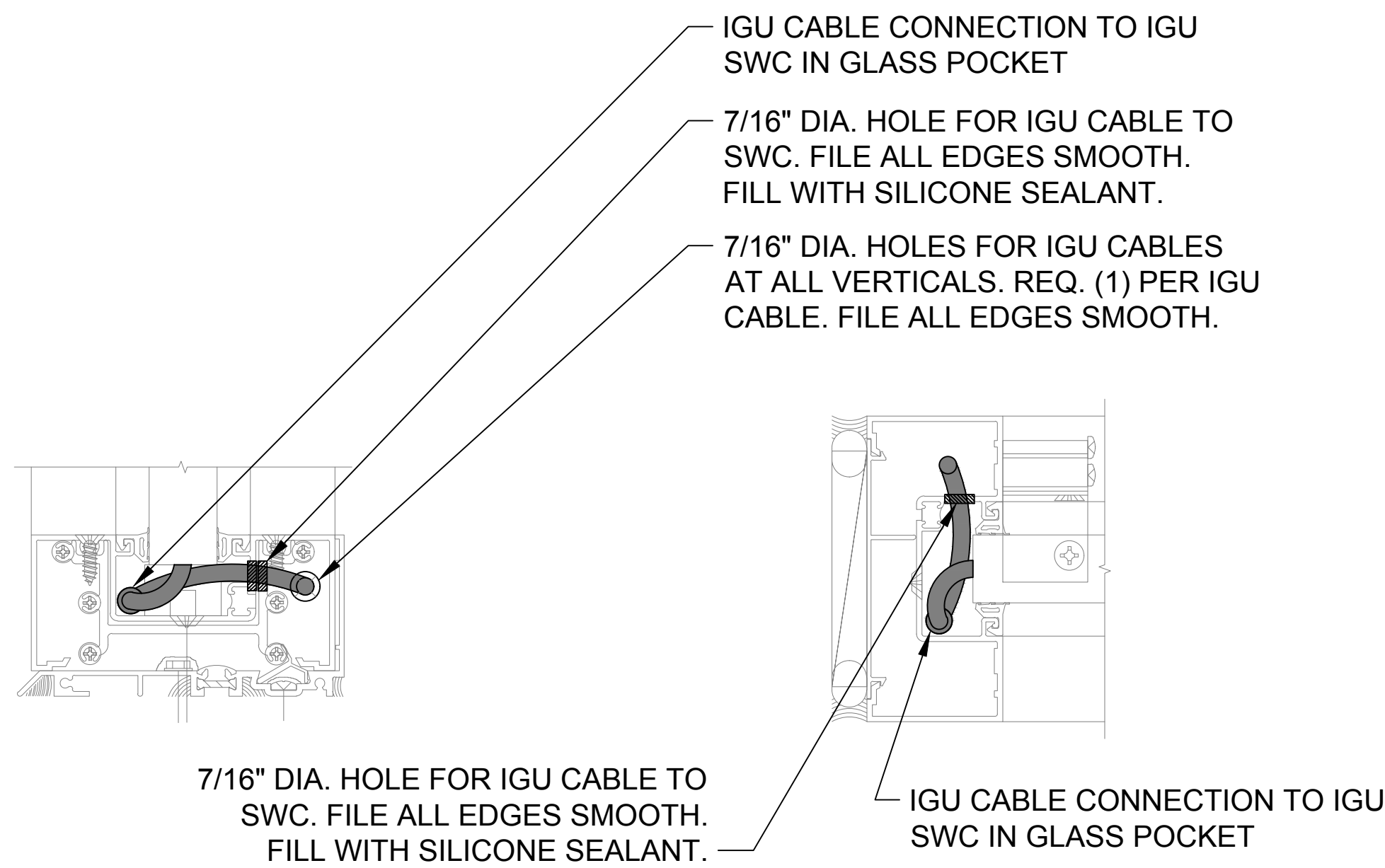


DETAIL 1
HEAD



DETAIL 2
HORIZONTAL MULLION



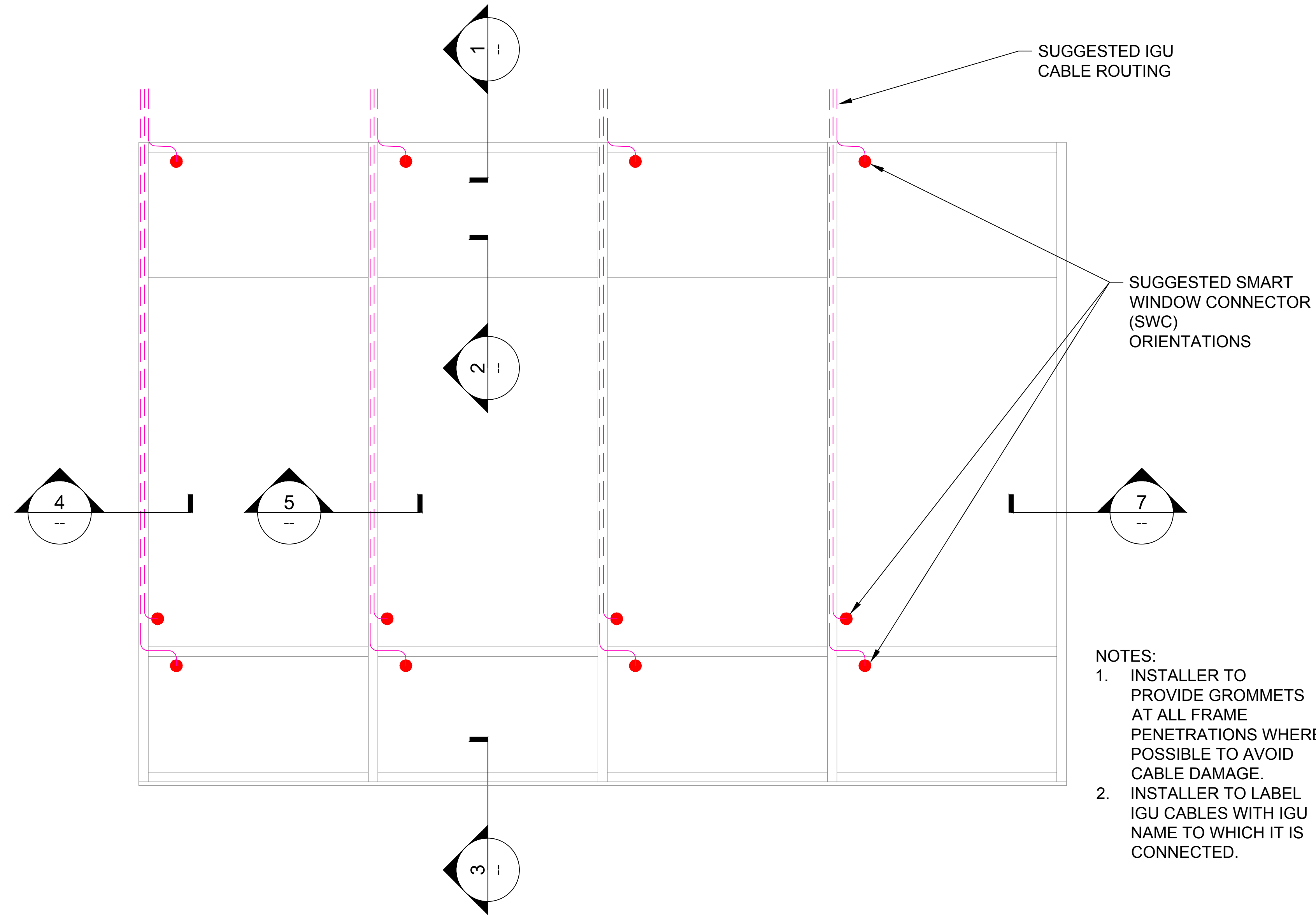
DETAIL 3
SILL

DETAIL 4
LEFT JAMB

DETAIL 5
VERTICAL MULLION

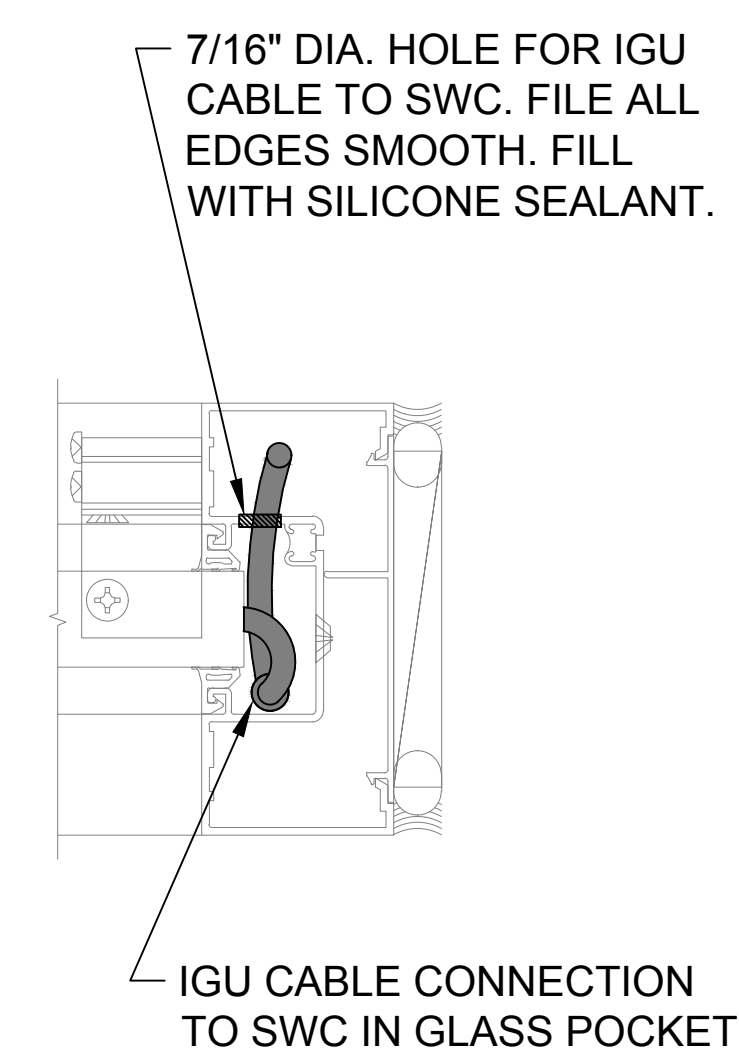
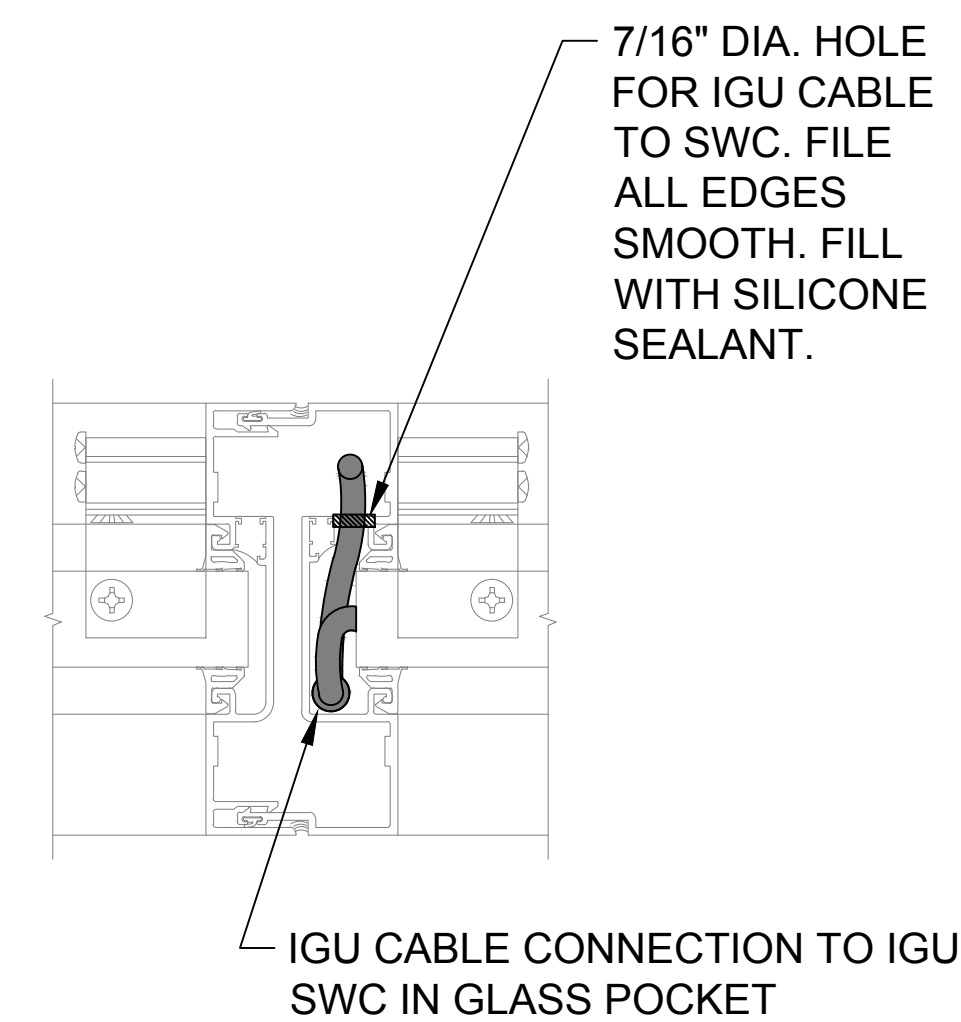
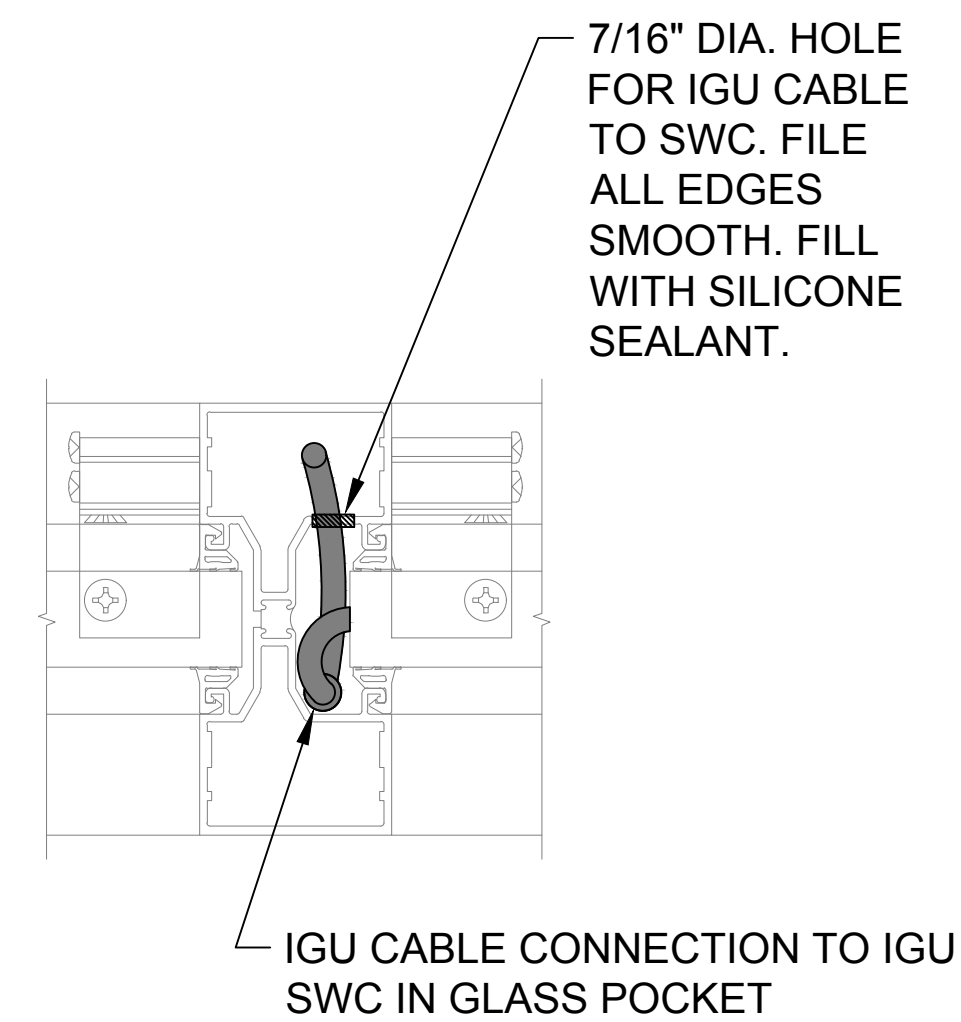
DETAIL 6
VERTICAL MULLION

DETAIL 7
RIGHT JAMB



TYPICAL ELEVATION
SCALE: NONE

- NOTES:
1. INSTALLER TO PROVIDE GROMMETS AT ALL FRAME PENETRATIONS WHERE POSSIBLE TO AVOID CABLE DAMAGE.
 2. INSTALLER TO LABEL IGU CABLES WITH IGU NAME TO WHICH IT IS CONNECTED.



1 INSTALLATION DETAILS FOR EFCO SERIES 403 T, SHEAR BLOCK FRAMING