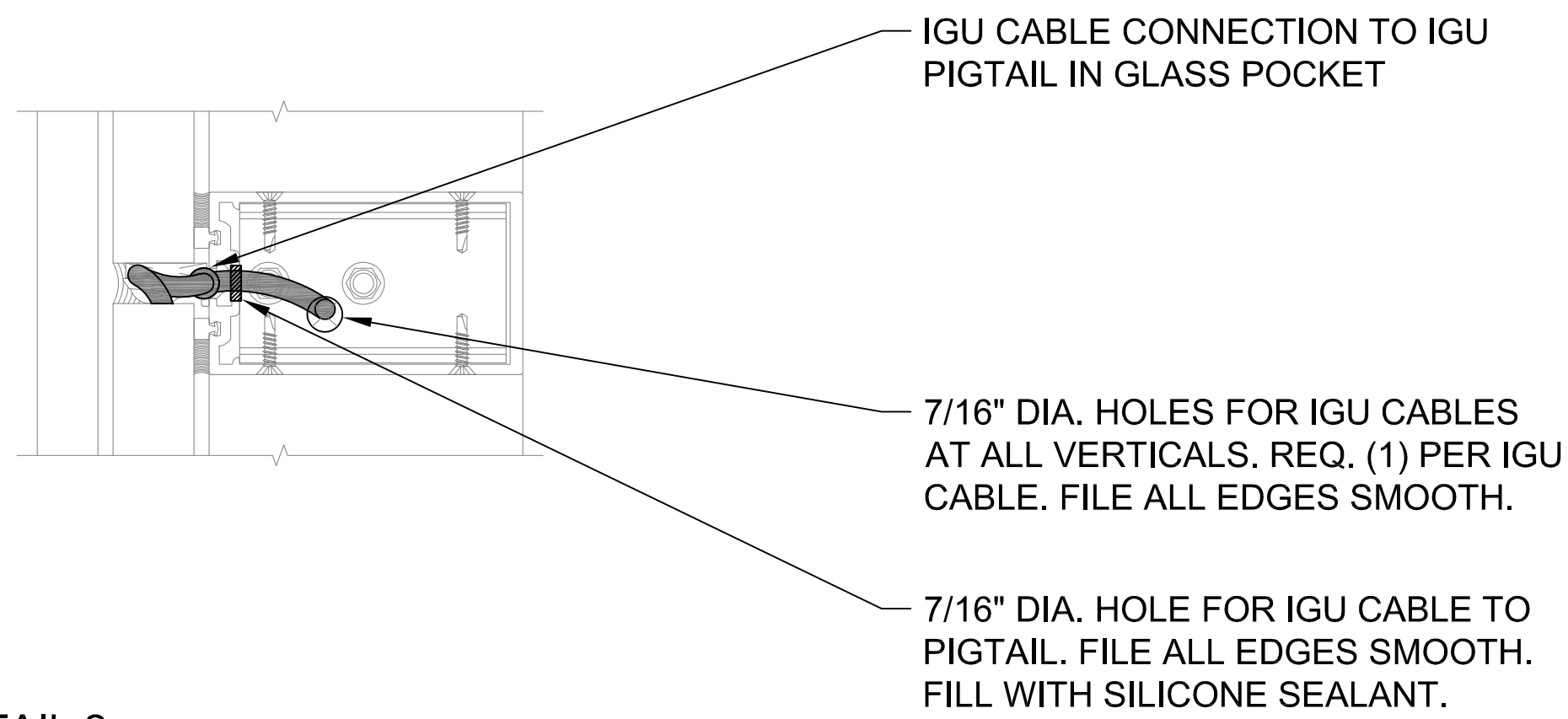
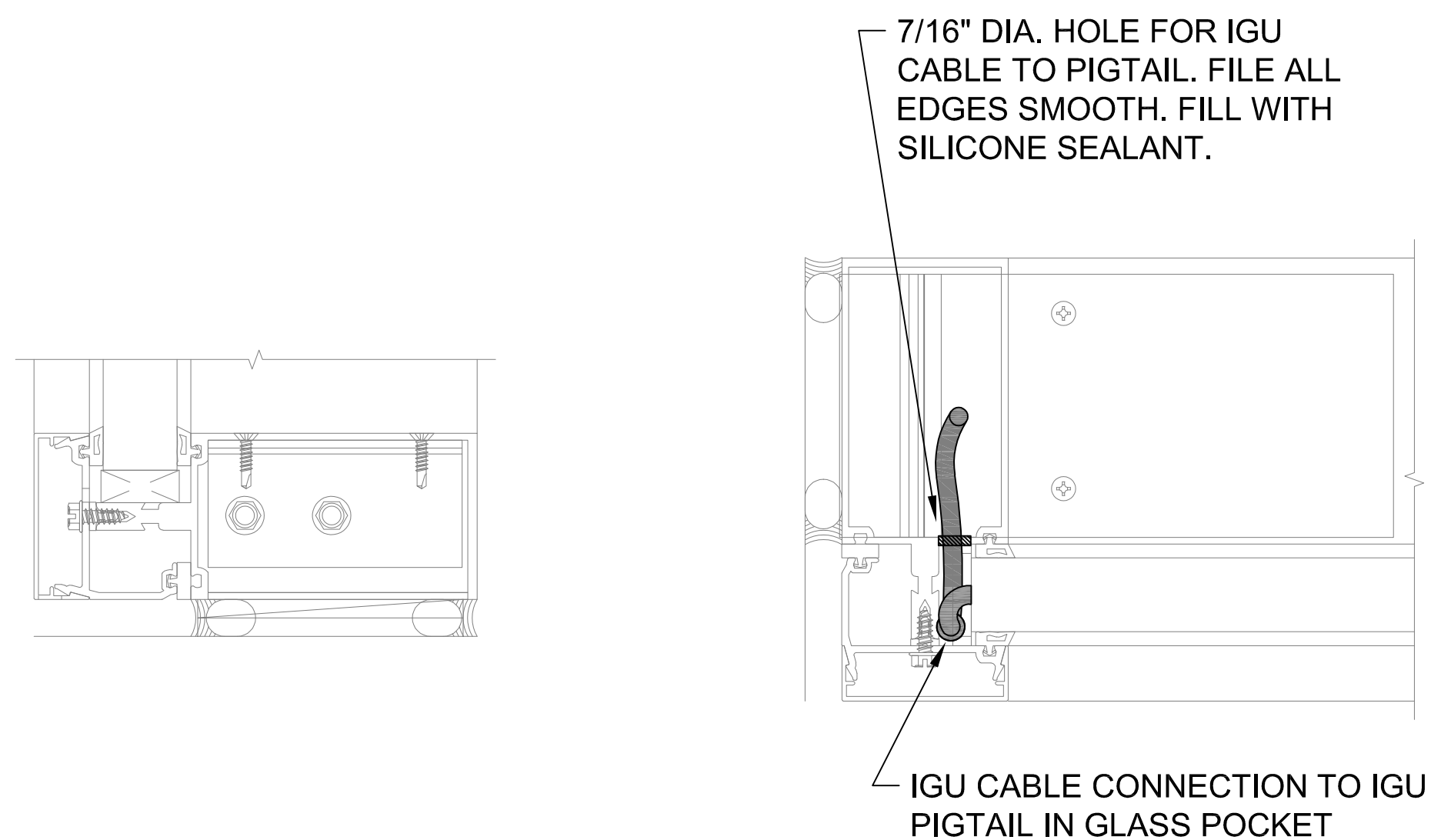


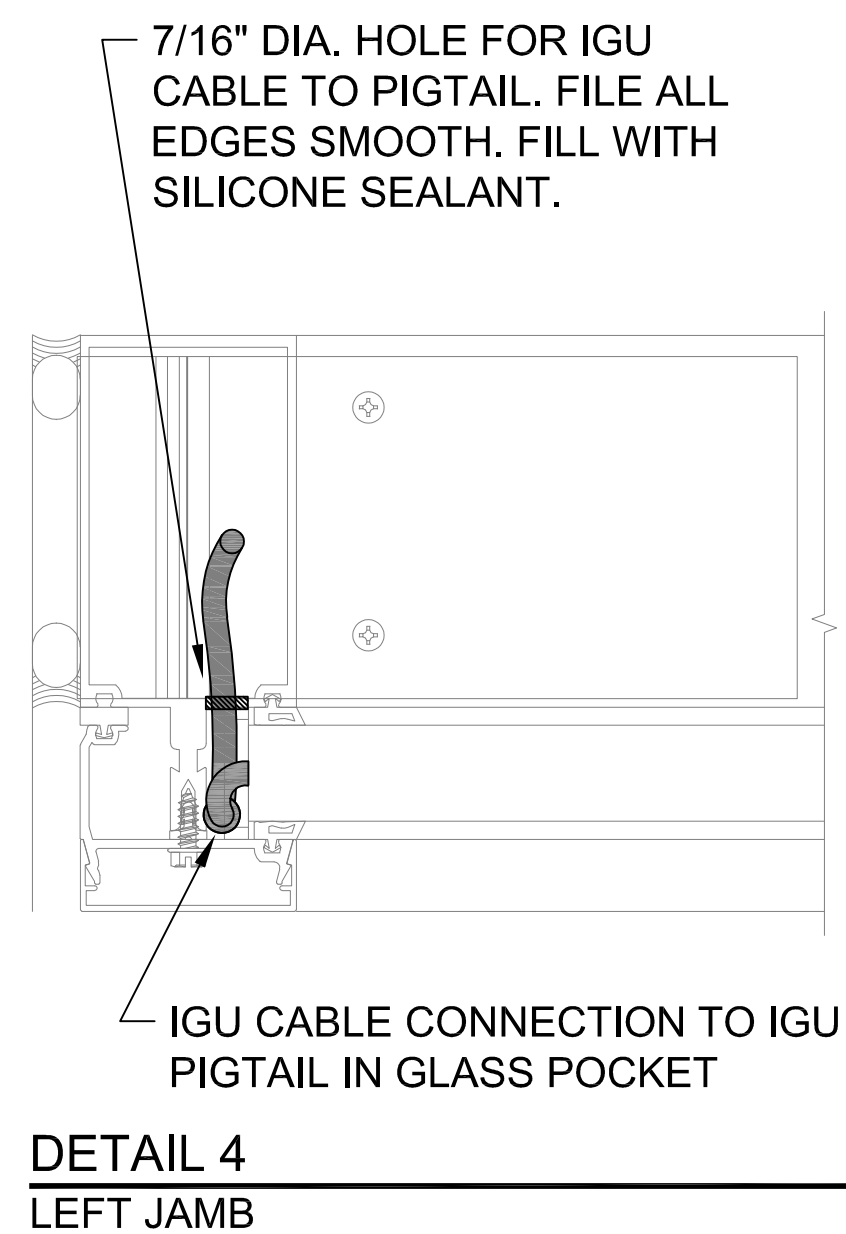
**DETAIL 1**  
 HEAD



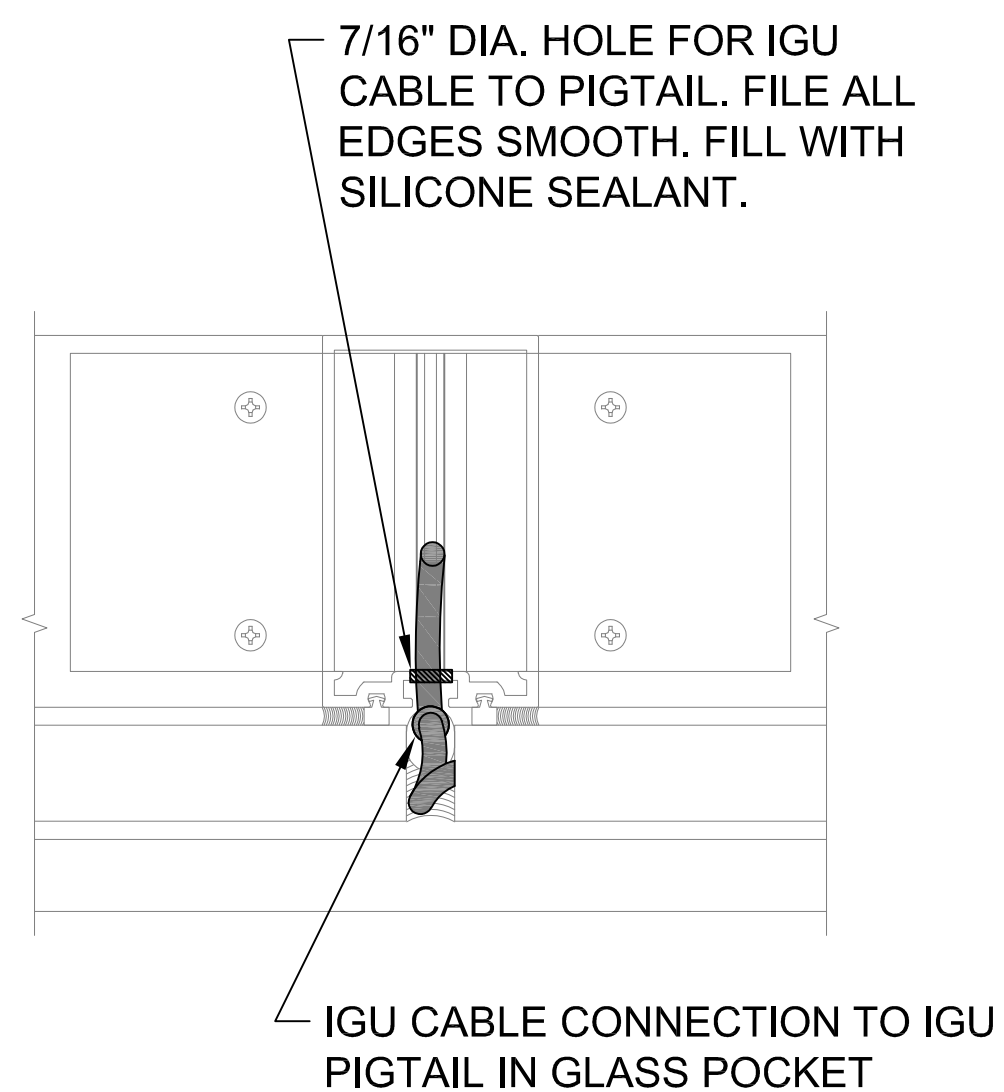
**DETAIL 2**  
 HORIZONTAL MULLION



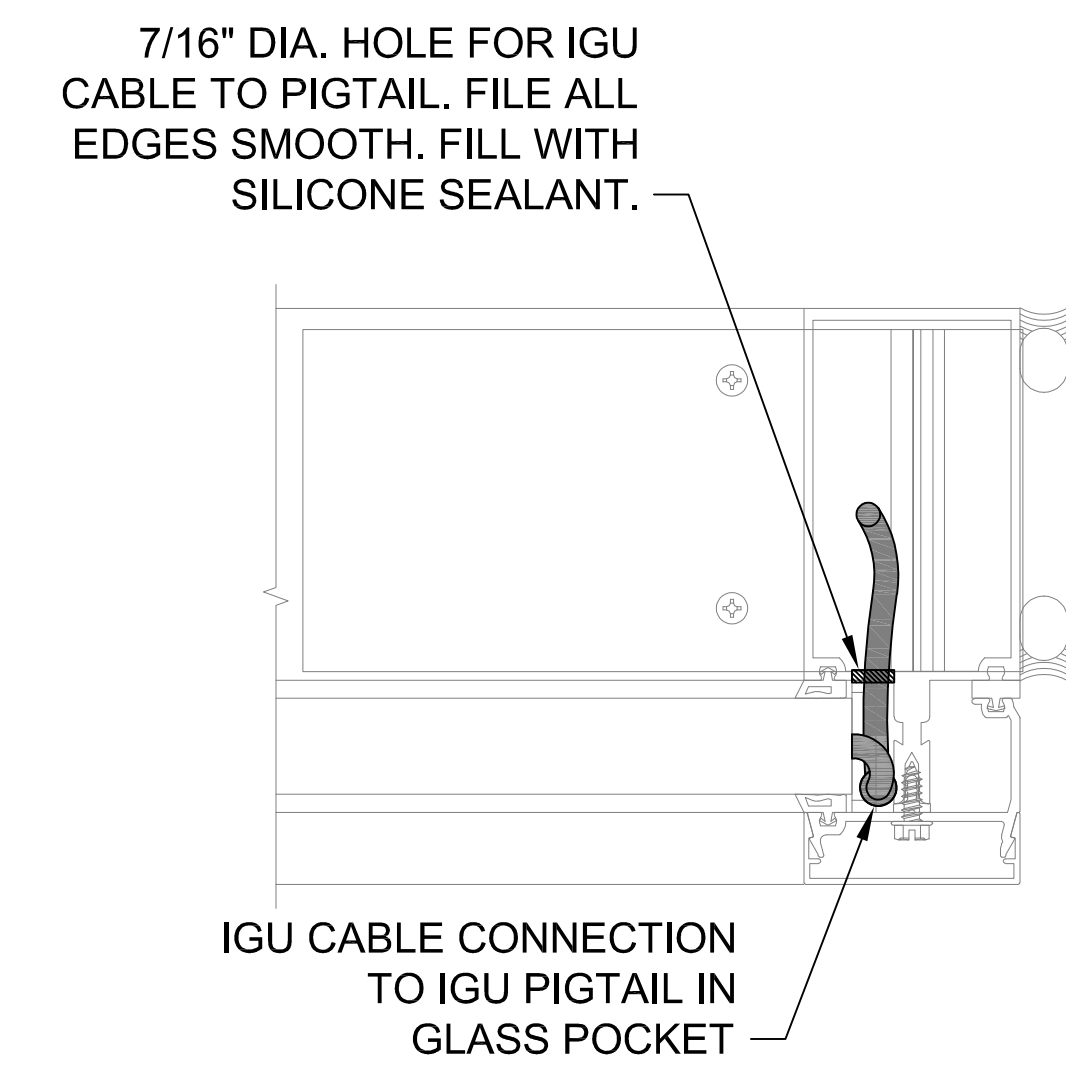
**DETAIL 3**  
 SILL



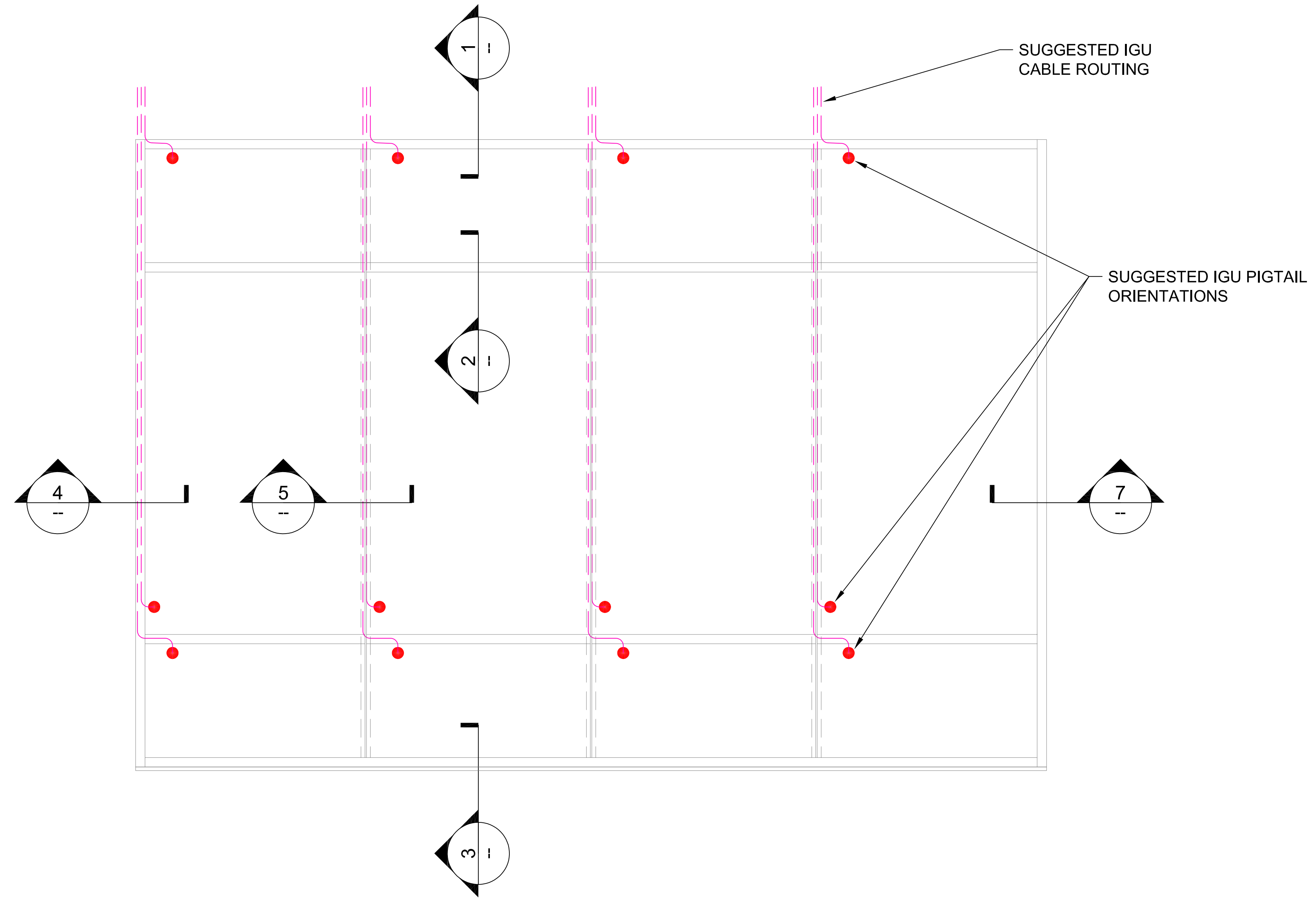
**DETAIL 4**  
 LEFT JAMB



**DETAIL 5**  
 VERTICAL MULLION



**DETAIL 7**  
 RIGHT JAMB



**1 INSTALLATION DETAILS FOR EFCO SYSTEM 5600, SSG**

SCALE: NONE