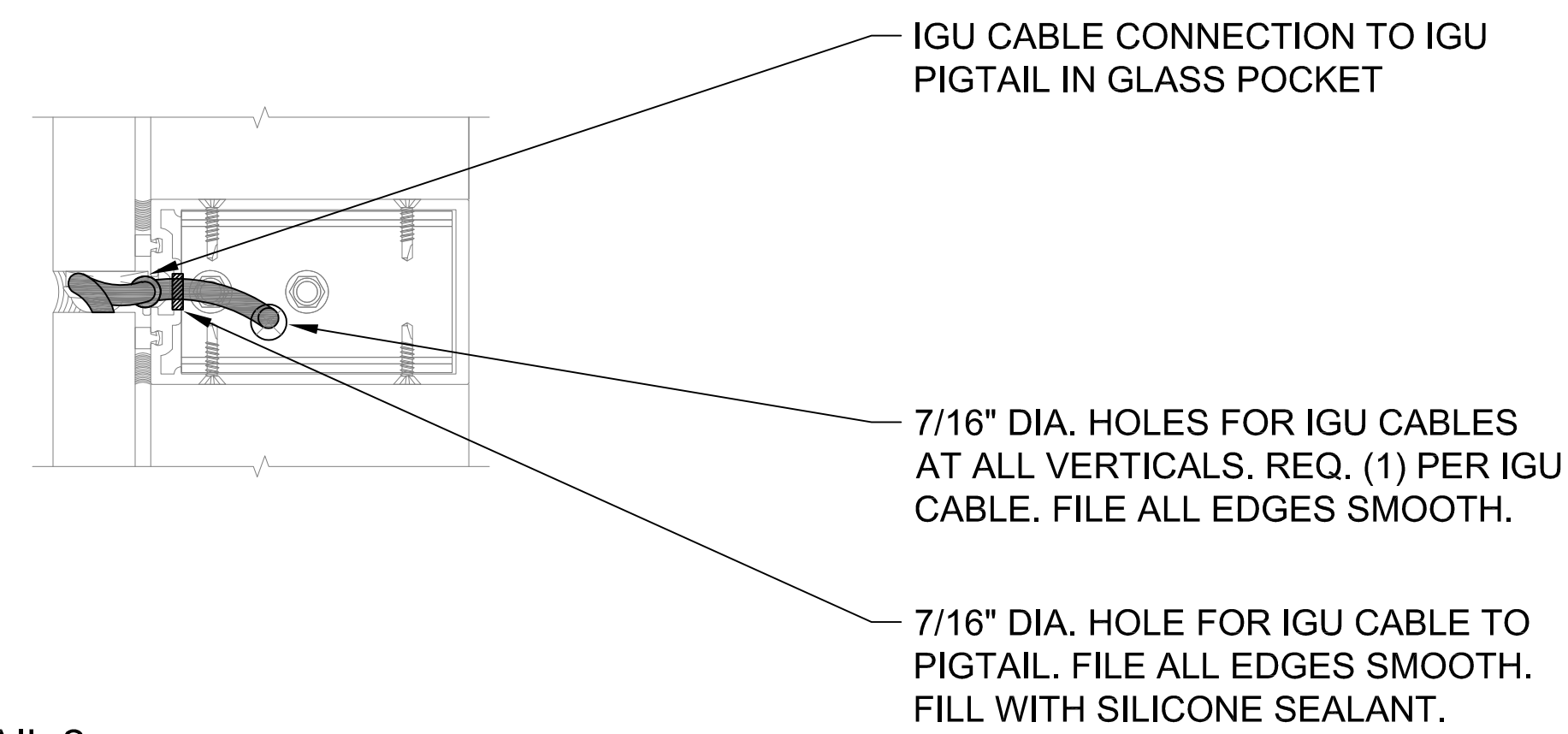
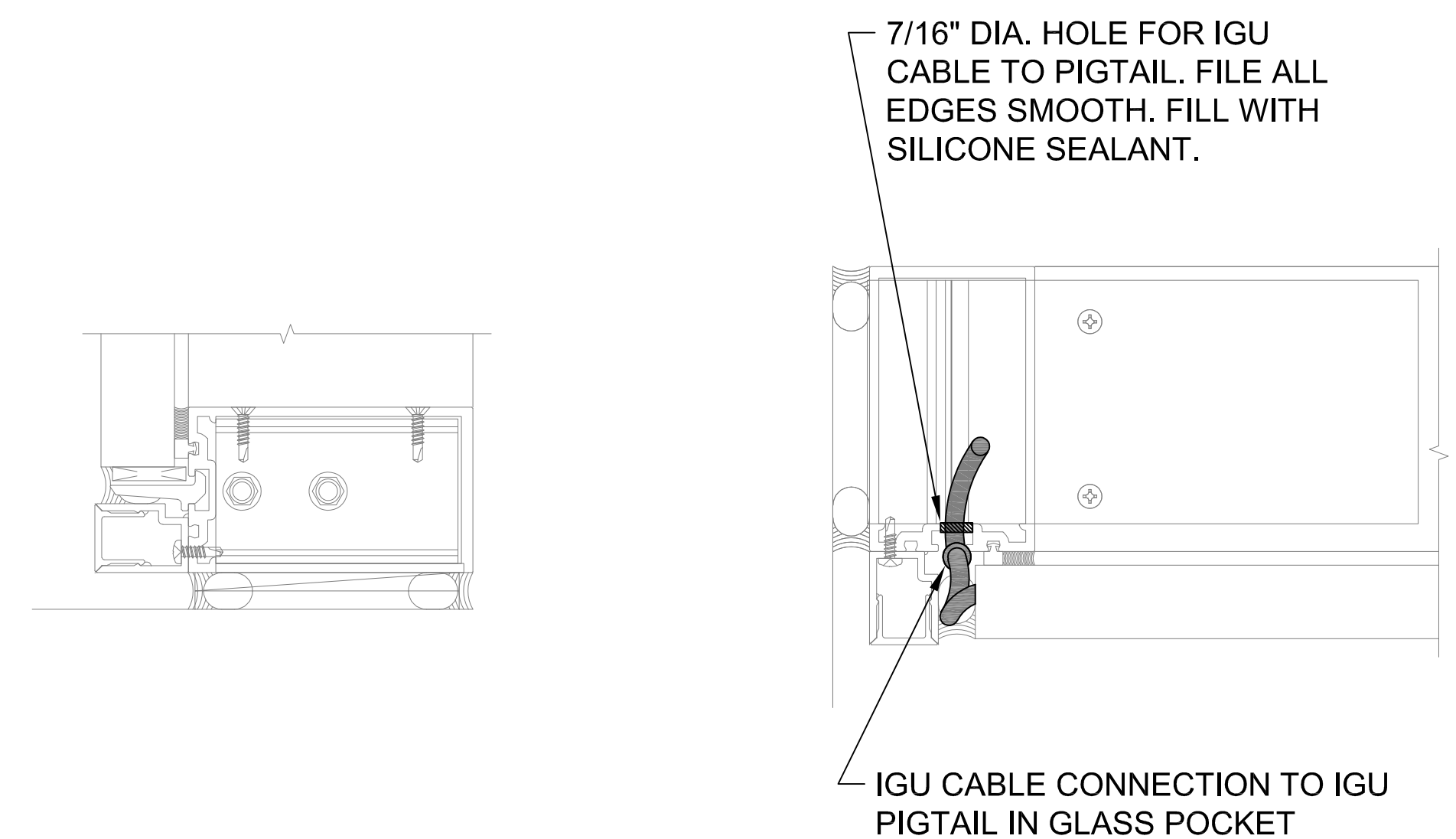


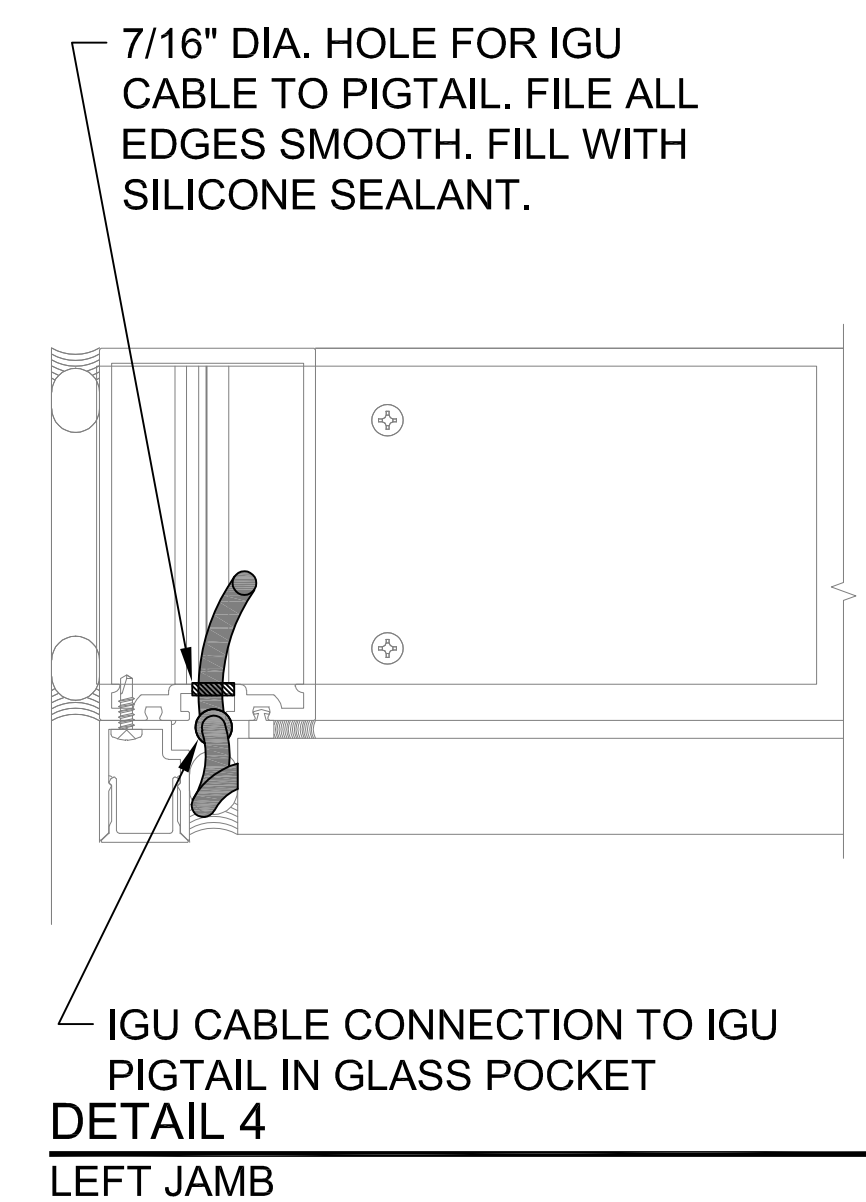
DETAIL 1
HEAD



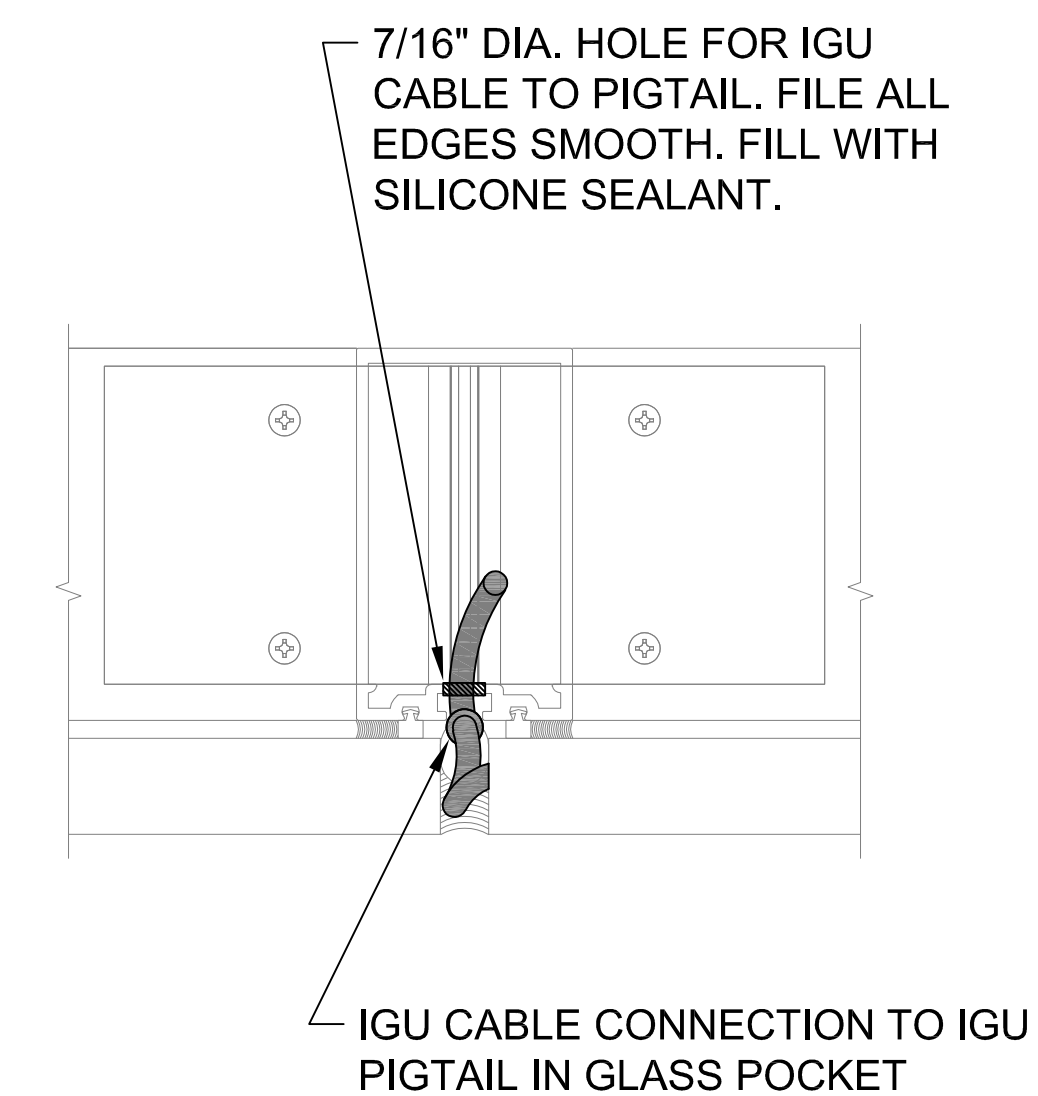
DETAIL 2
HORIZONTAL MULLION



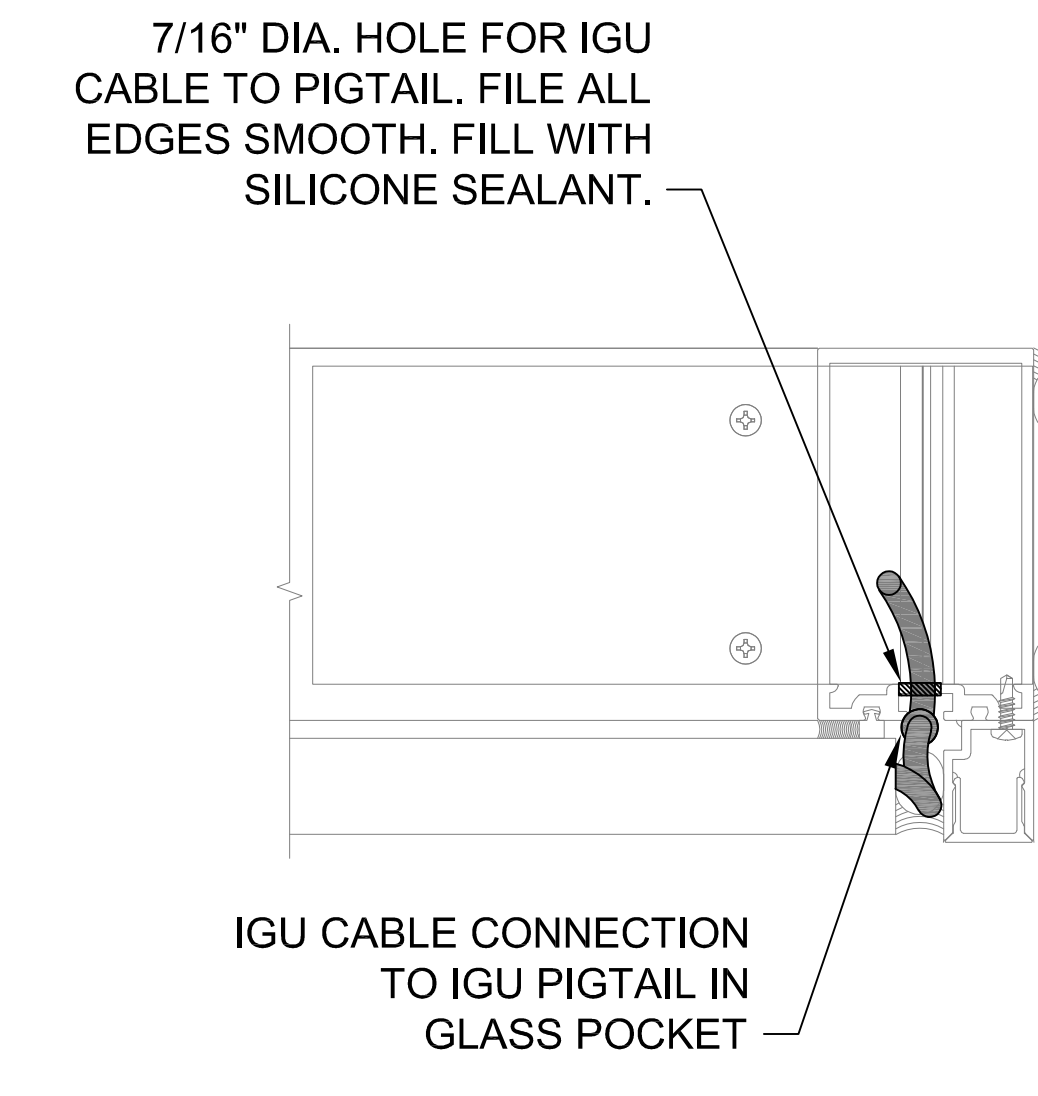
DETAIL 3
SILL



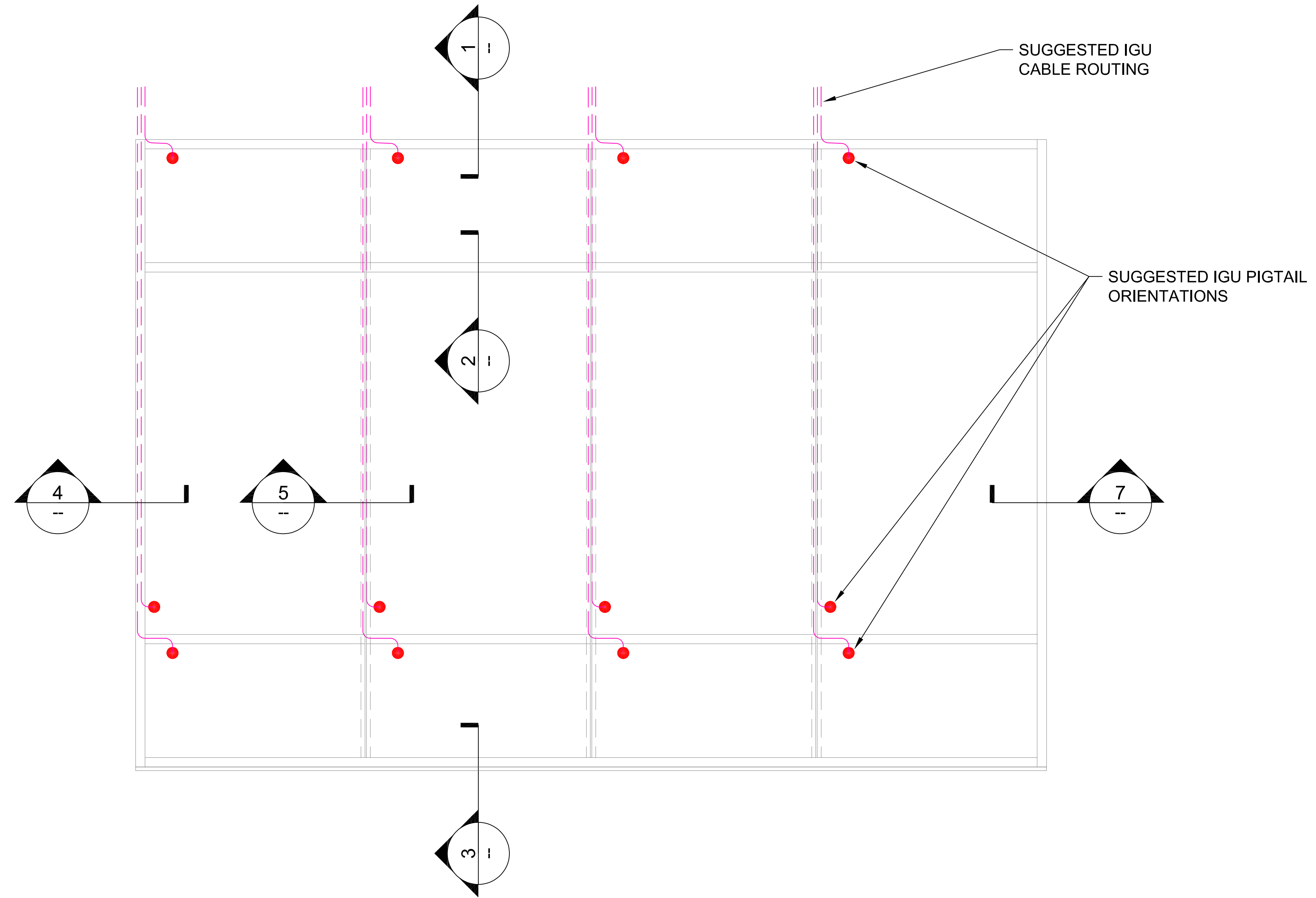
DETAIL 4
LEFT JAMB



DETAIL 5
VERTICAL MULLION



DETAIL 7
RIGHT JAMB



1 INSTALLATION DETAILS FOR EFCO SYSTEM 5600, SSG

SCALE: NONE

PLOT DATE: November 30, 2017