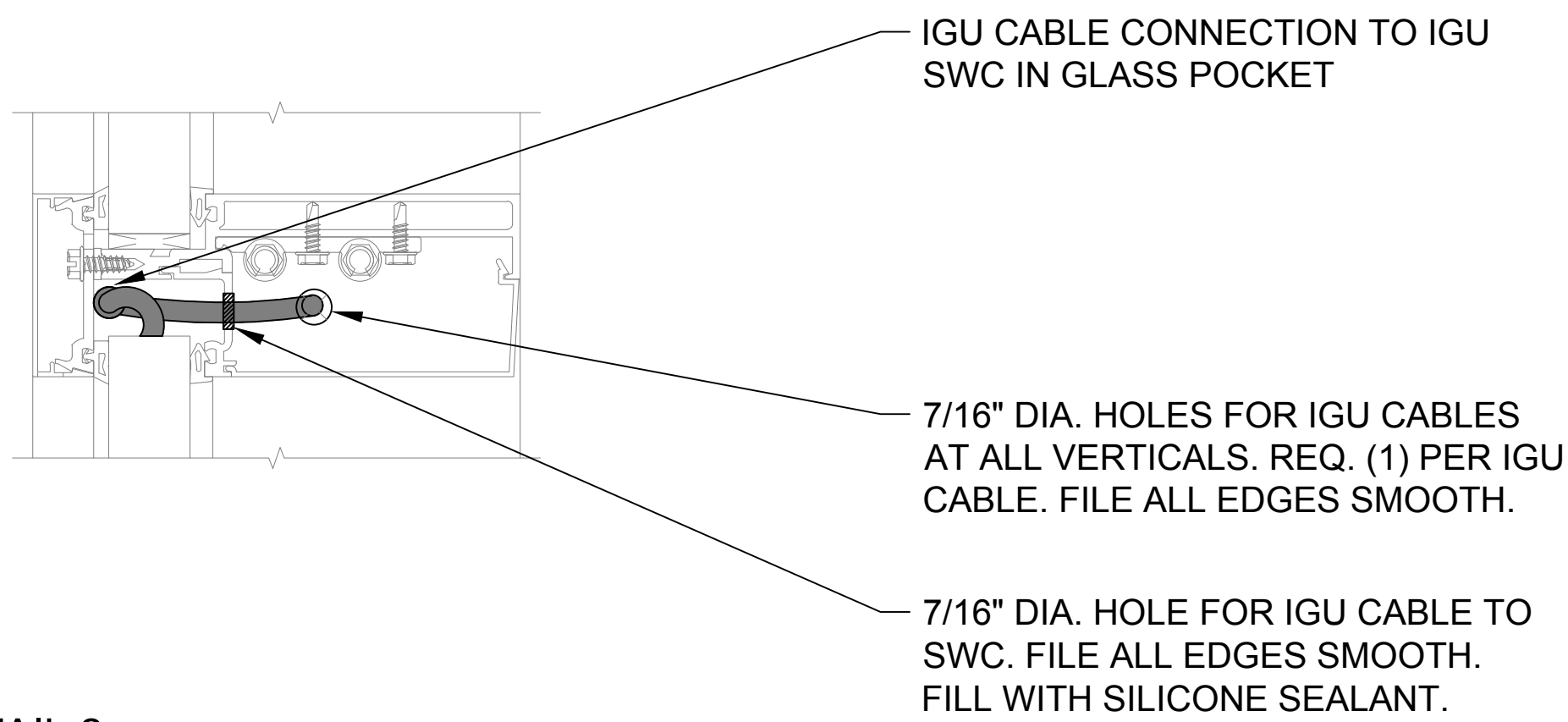
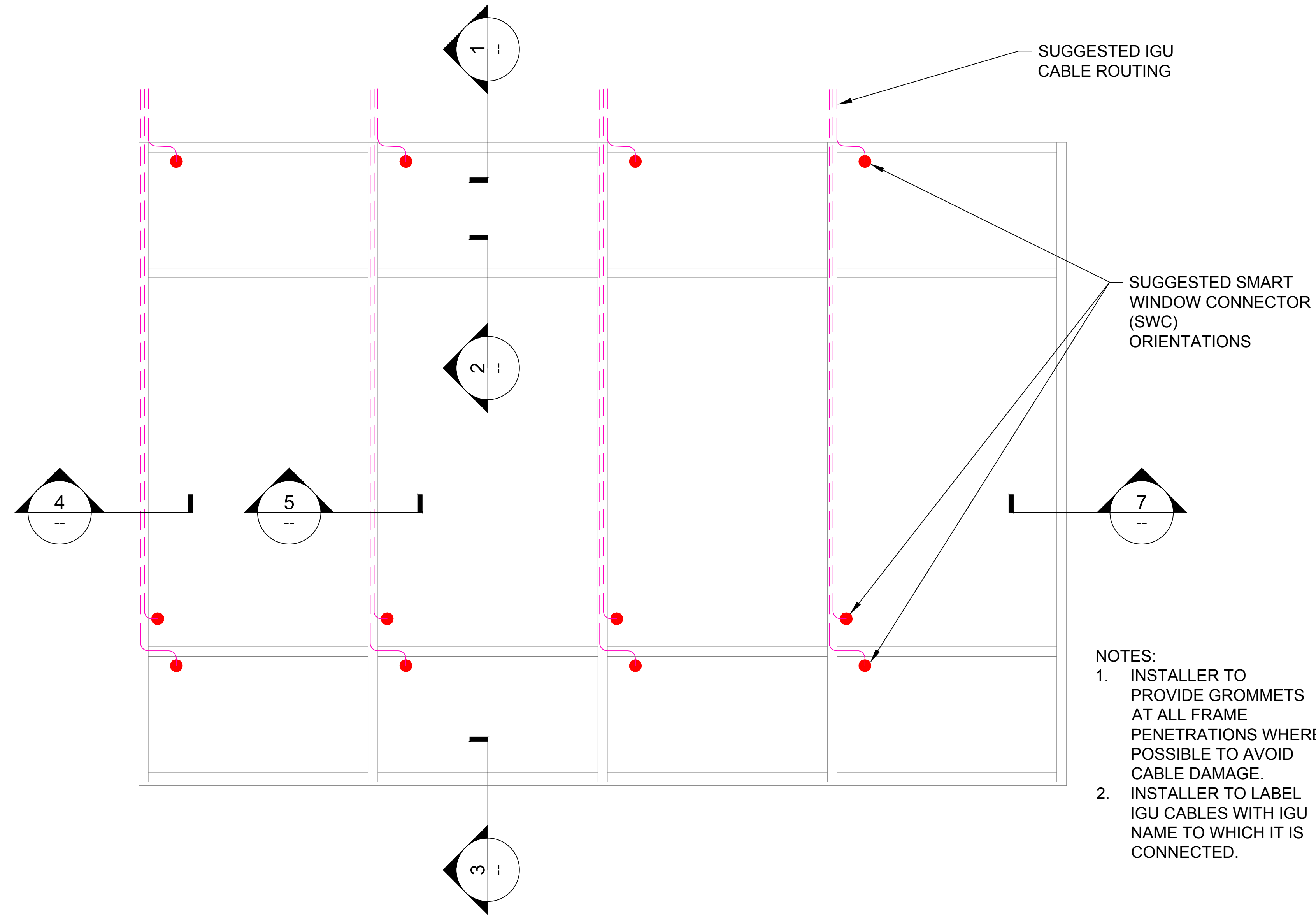


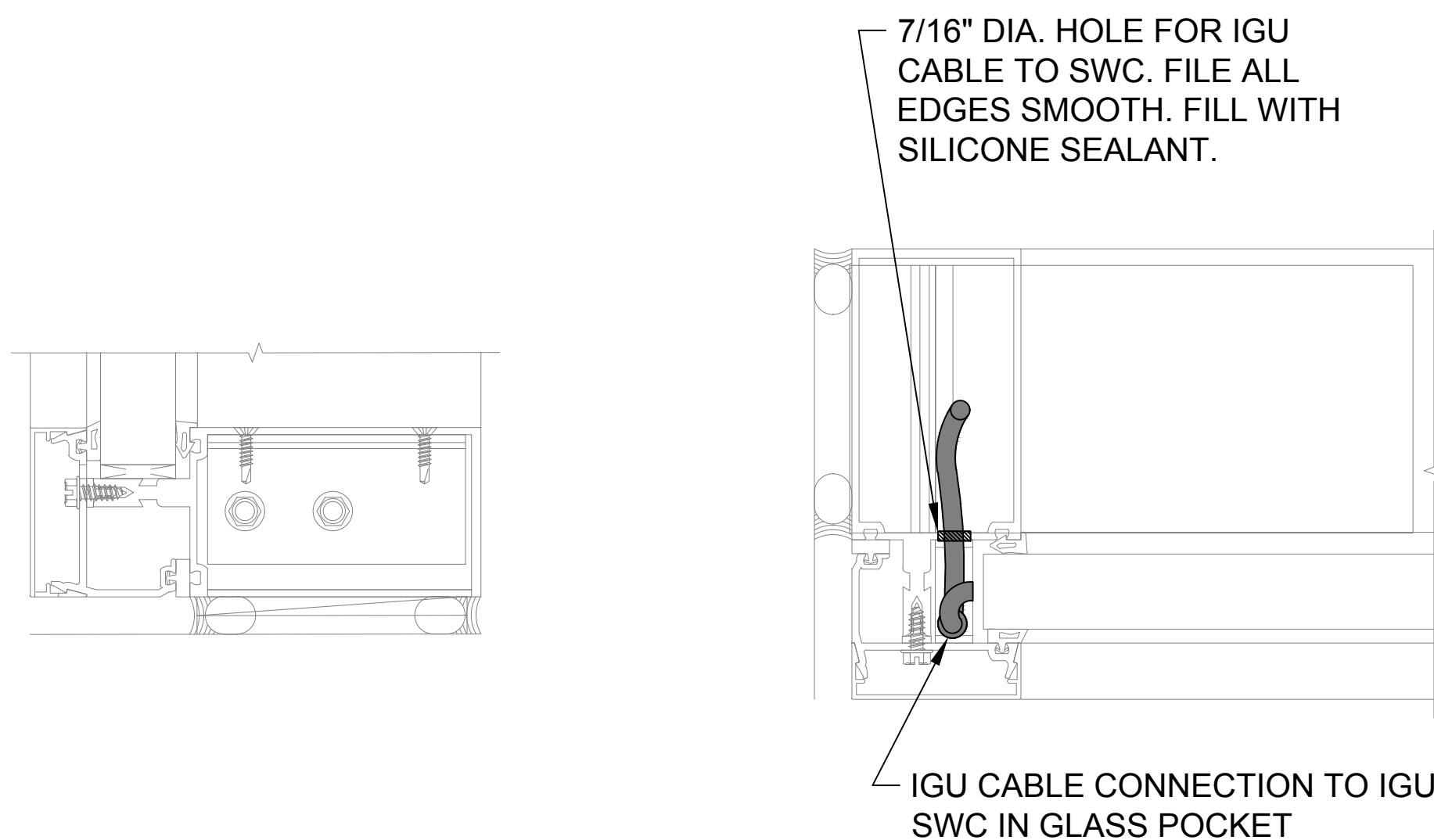
DETAIL 1  
HEAD



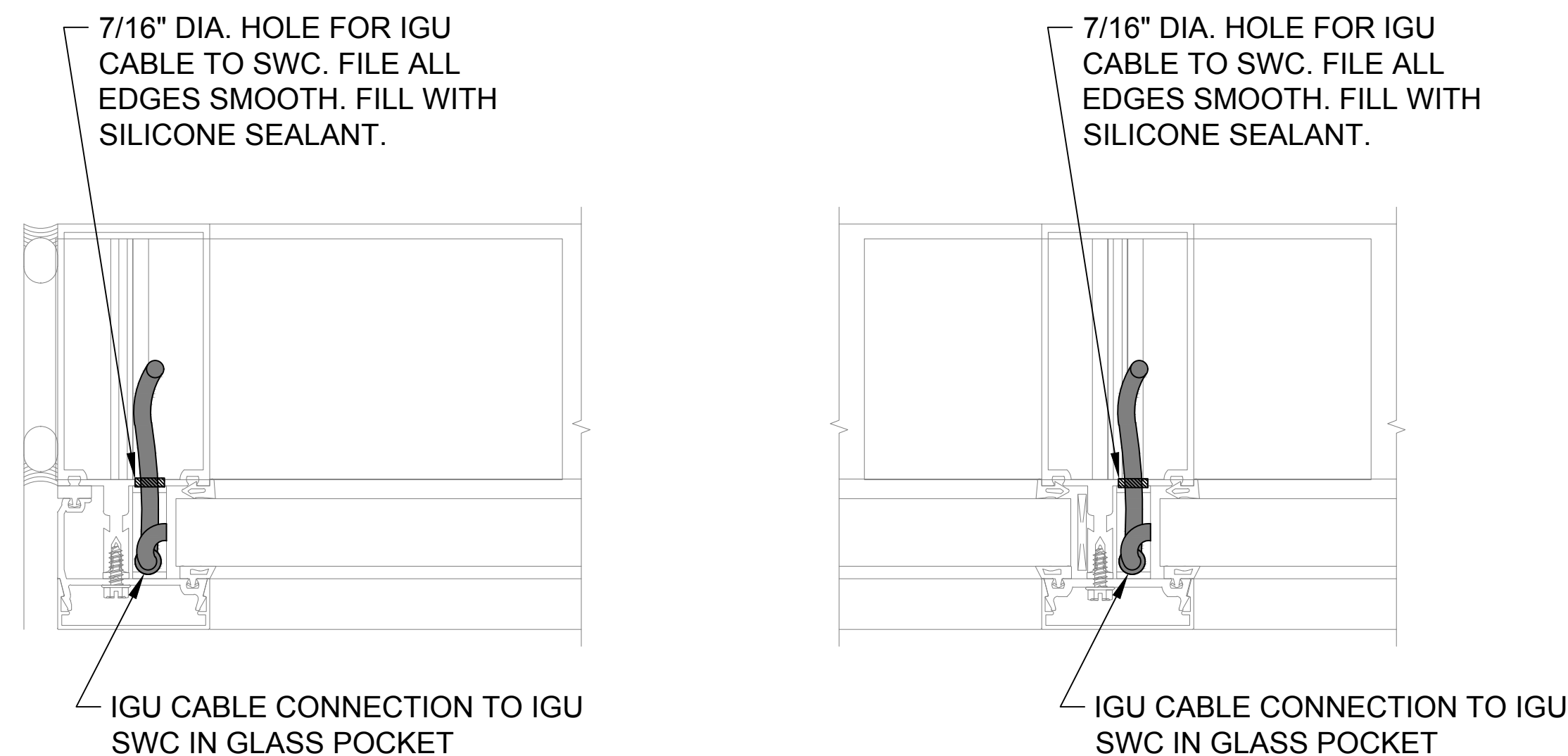
DETAIL 2  
HORIZONTAL MULLION



TYPICAL ELEVATION  
SCALE: NONE

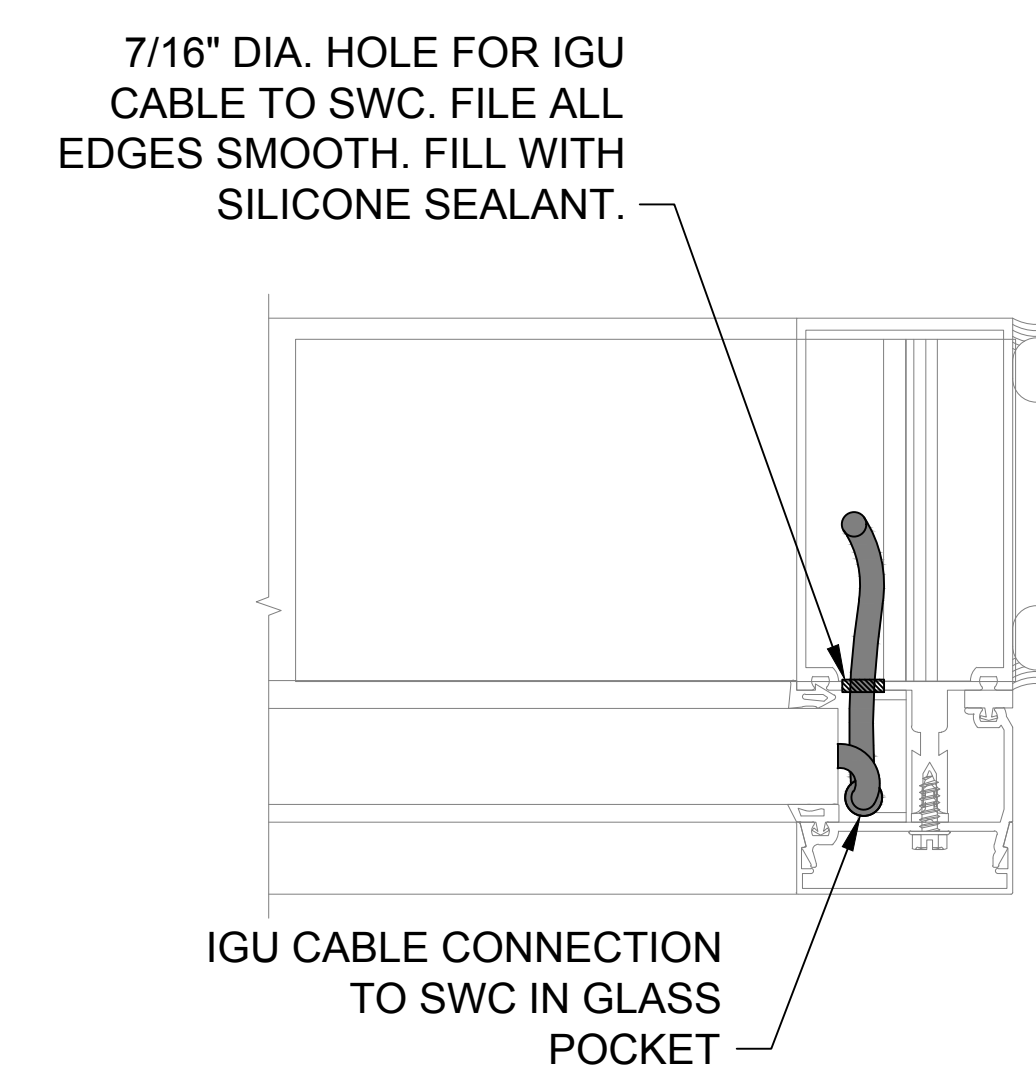


DETAIL 3  
SILL



DETAIL 4  
LEFT JAMB

DETAIL 5  
VERTICAL MULLION



DETAIL 7  
RIGHT JAMB

1 INSTALLATION DETAILS FOR EFCO SYSTEM 5600, INSIDE GLAZED

SCALE: NONE