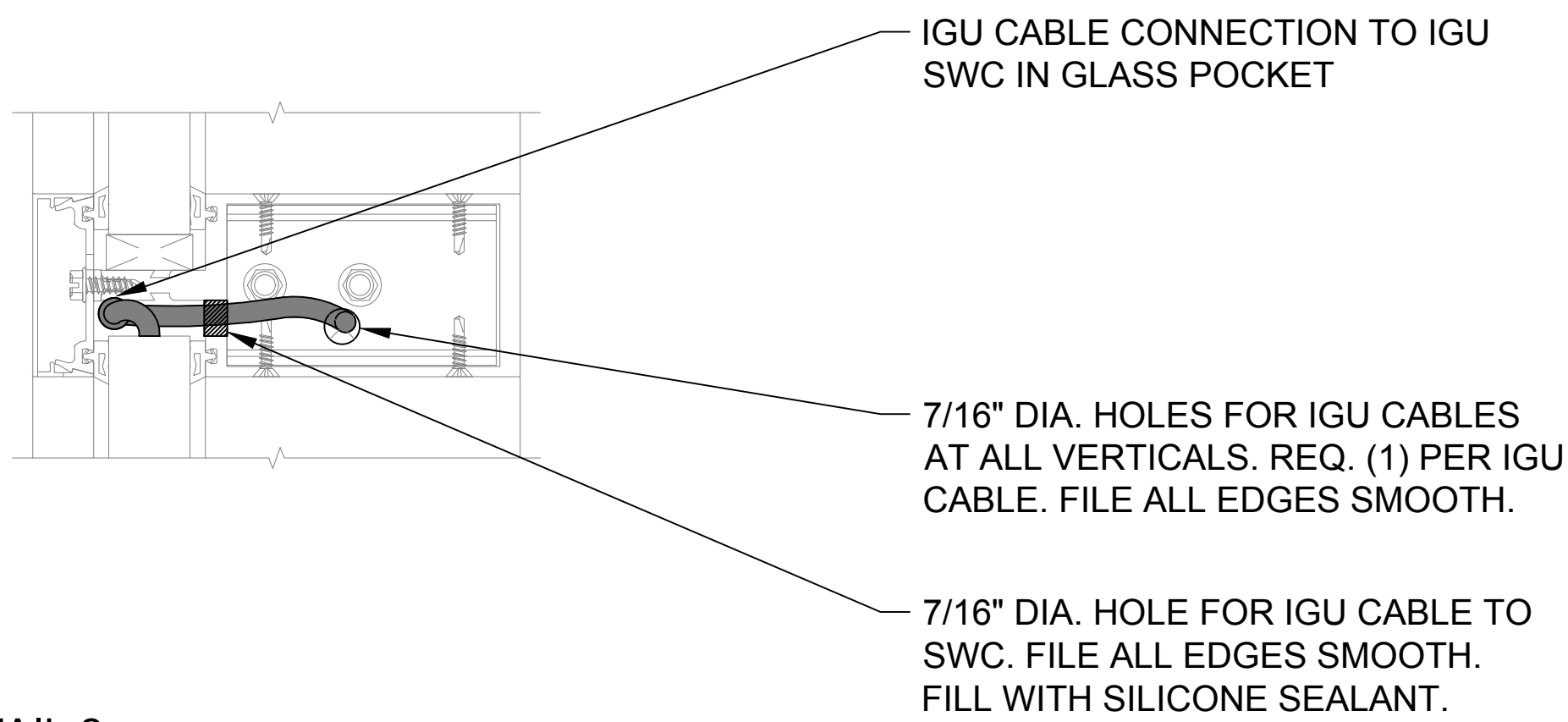
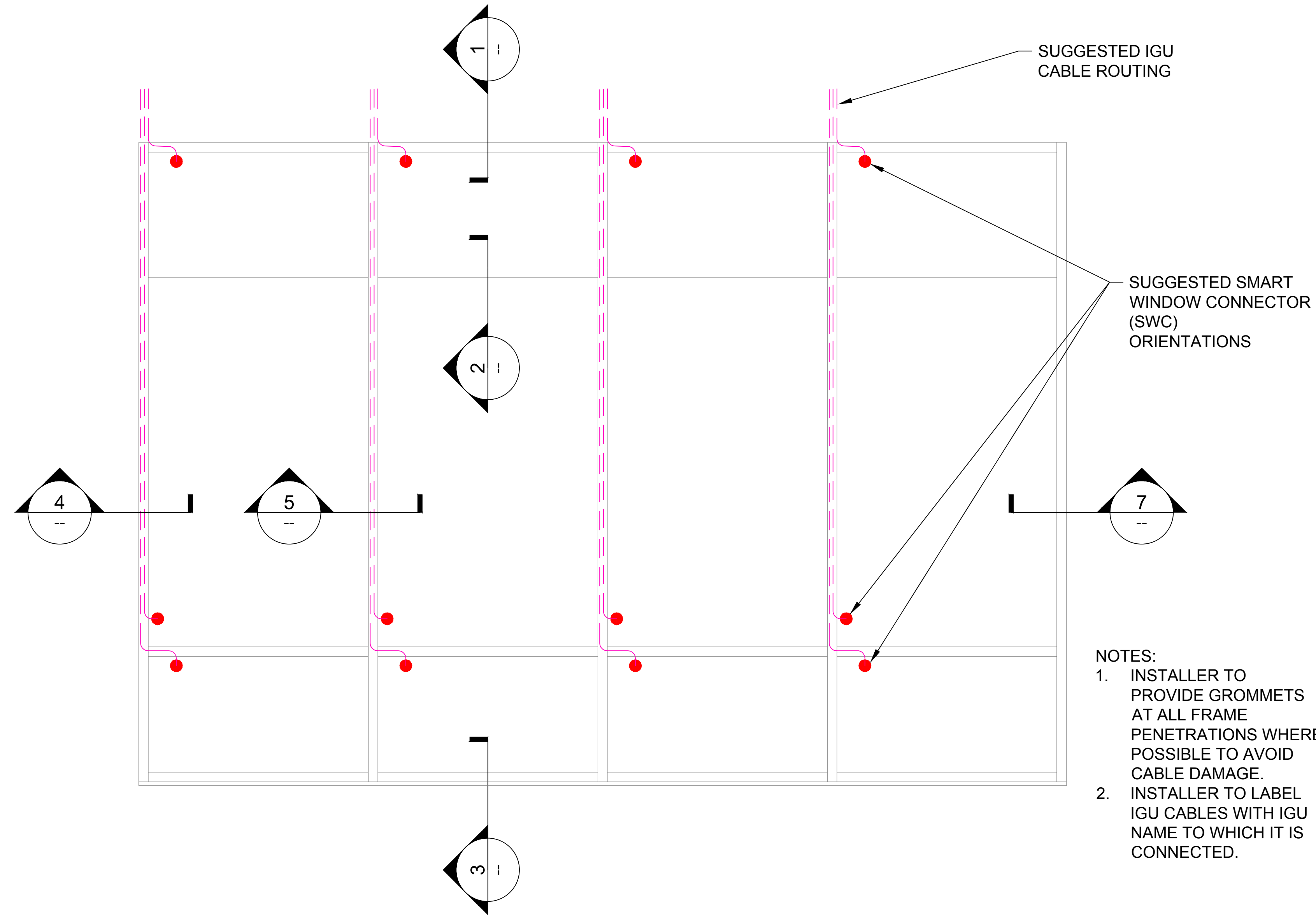


**DETAIL 1**  
HEAD

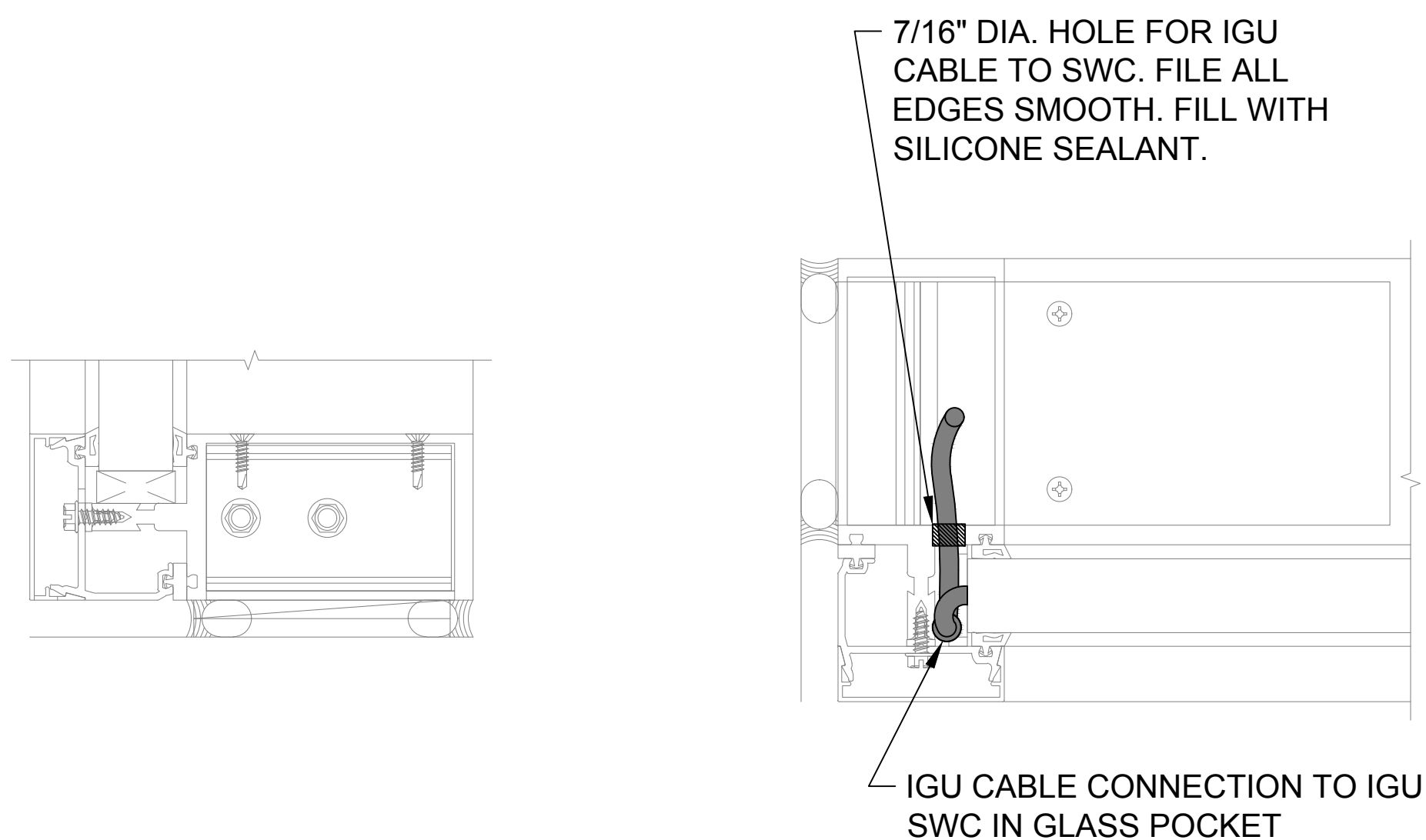


**DETAIL 2**  
HORIZONTAL MULLION

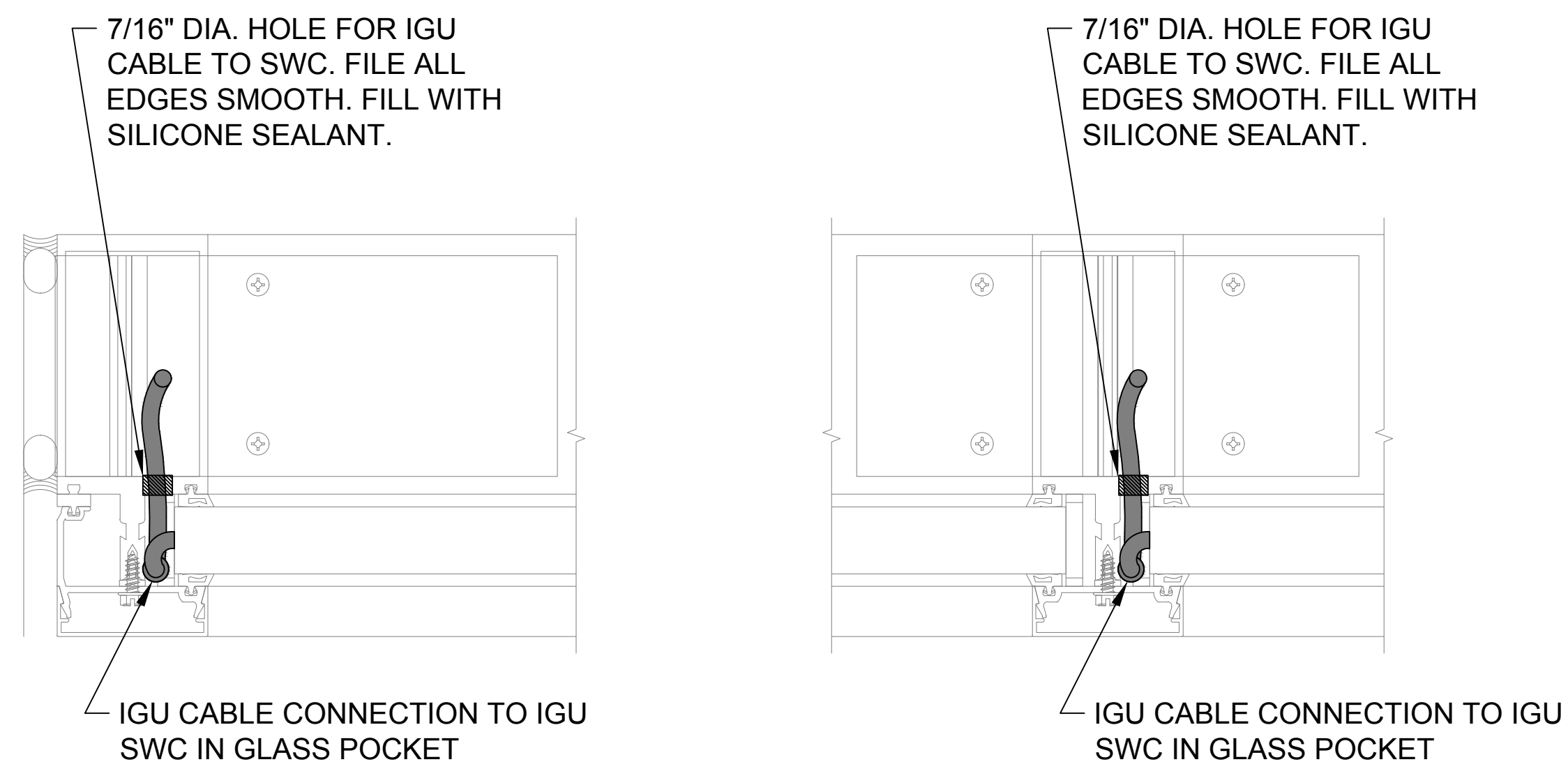


**TYPICAL ELEVATION**  
SCALE: NONE

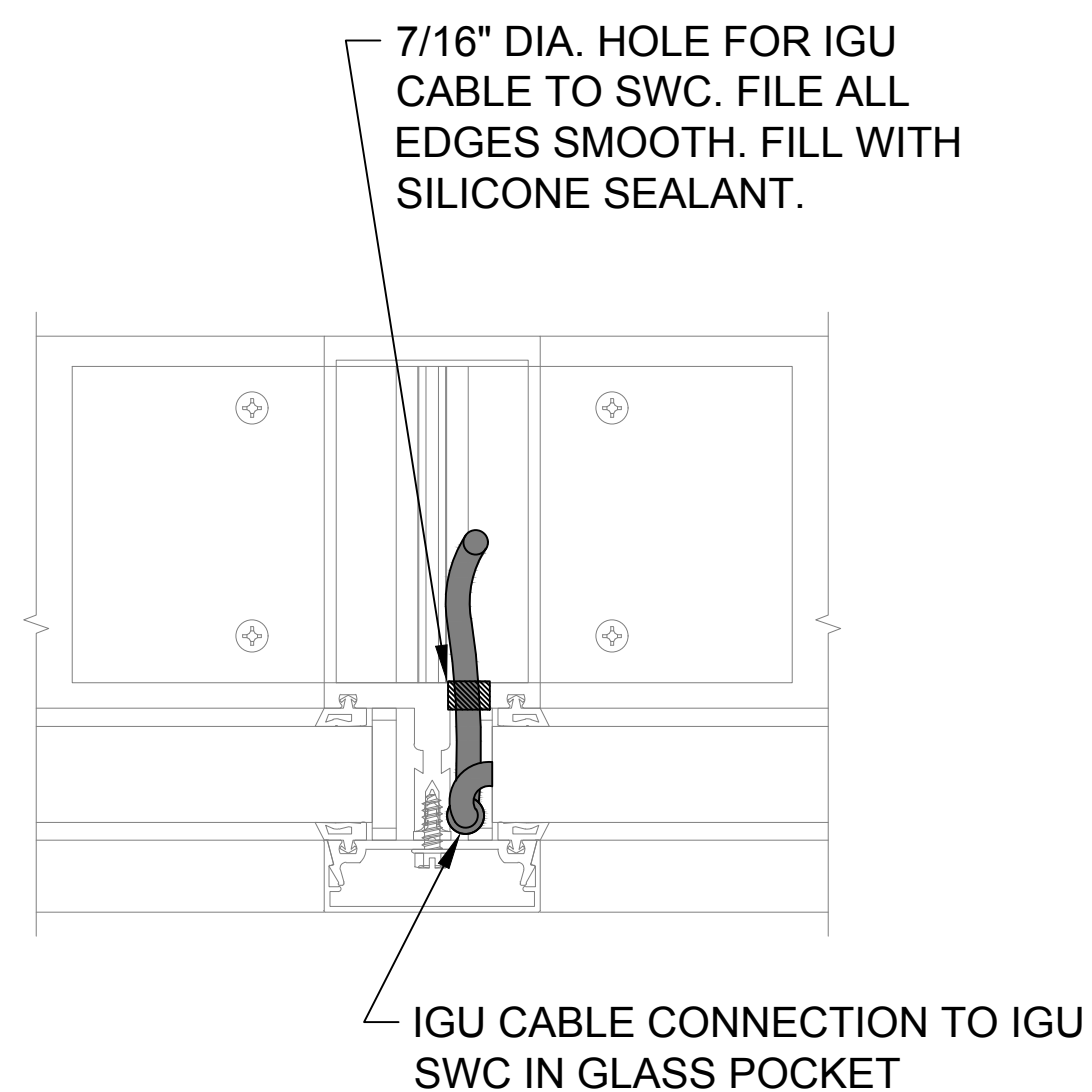
- NOTES:**
1. INSTALLER TO PROVIDE GROMMETS AT ALL FRAME PENETRATIONS WHERE POSSIBLE TO AVOID CABLE DAMAGE.
  2. INSTALLER TO LABEL IGU CABLES WITH IGU NAME TO WHICH IT IS CONNECTED.



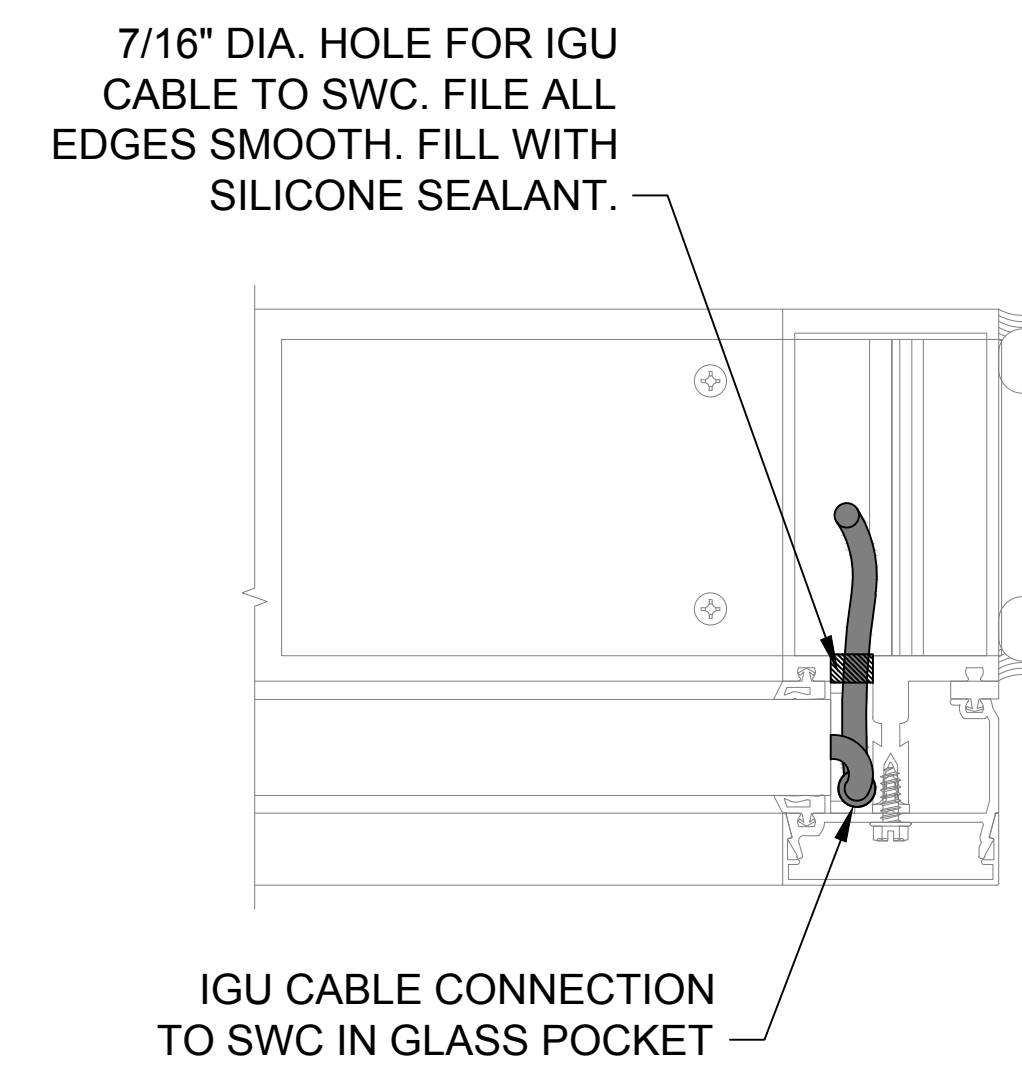
**DETAIL 3**  
SILL



**DETAIL 4**  
LEFT JAMB



**DETAIL 5**  
VERTICAL MULLION



**DETAIL 7**  
RIGHT JAMB

**1** **INSTALLATION DETAILS FOR EFCO SYSTEM 5600, OUTSIDE GLAZED**

SCALE: NONE