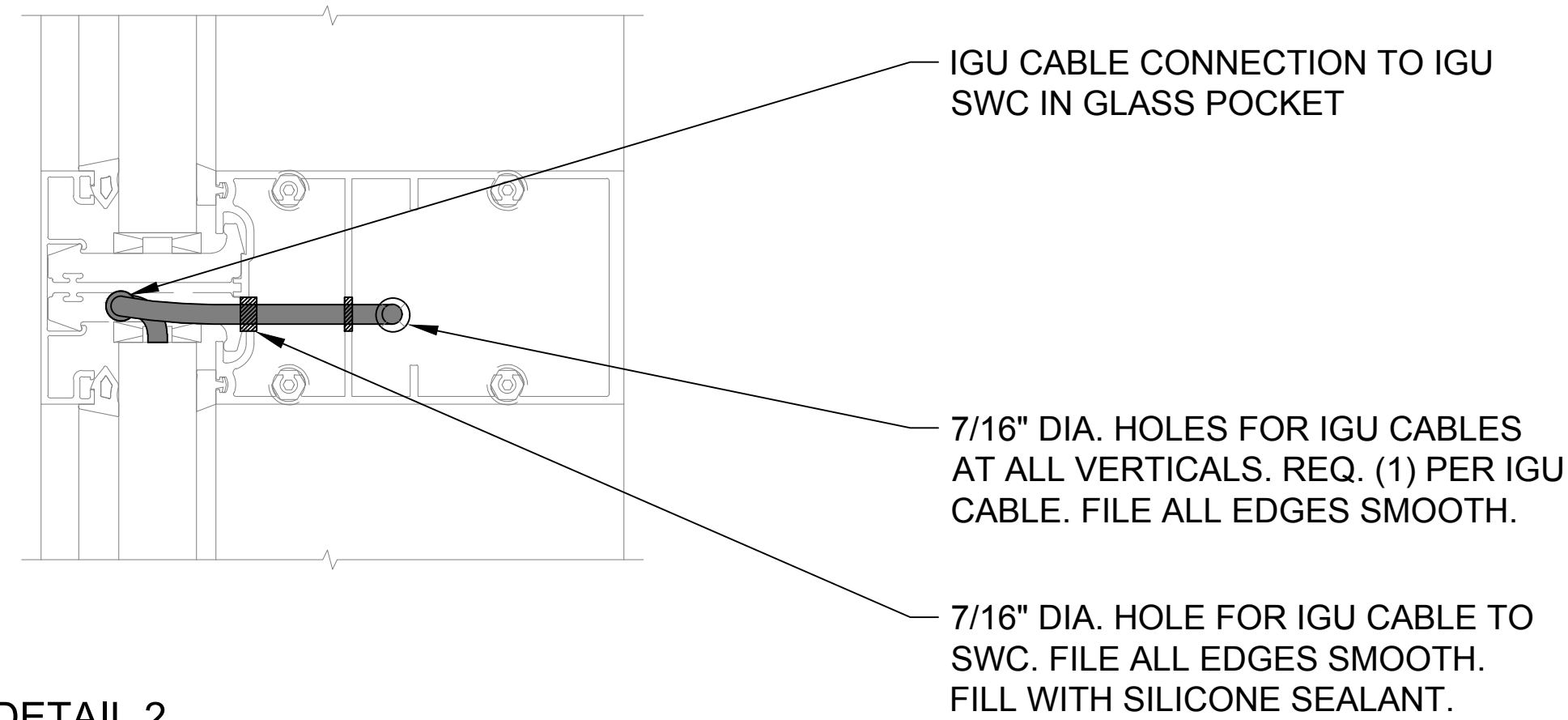
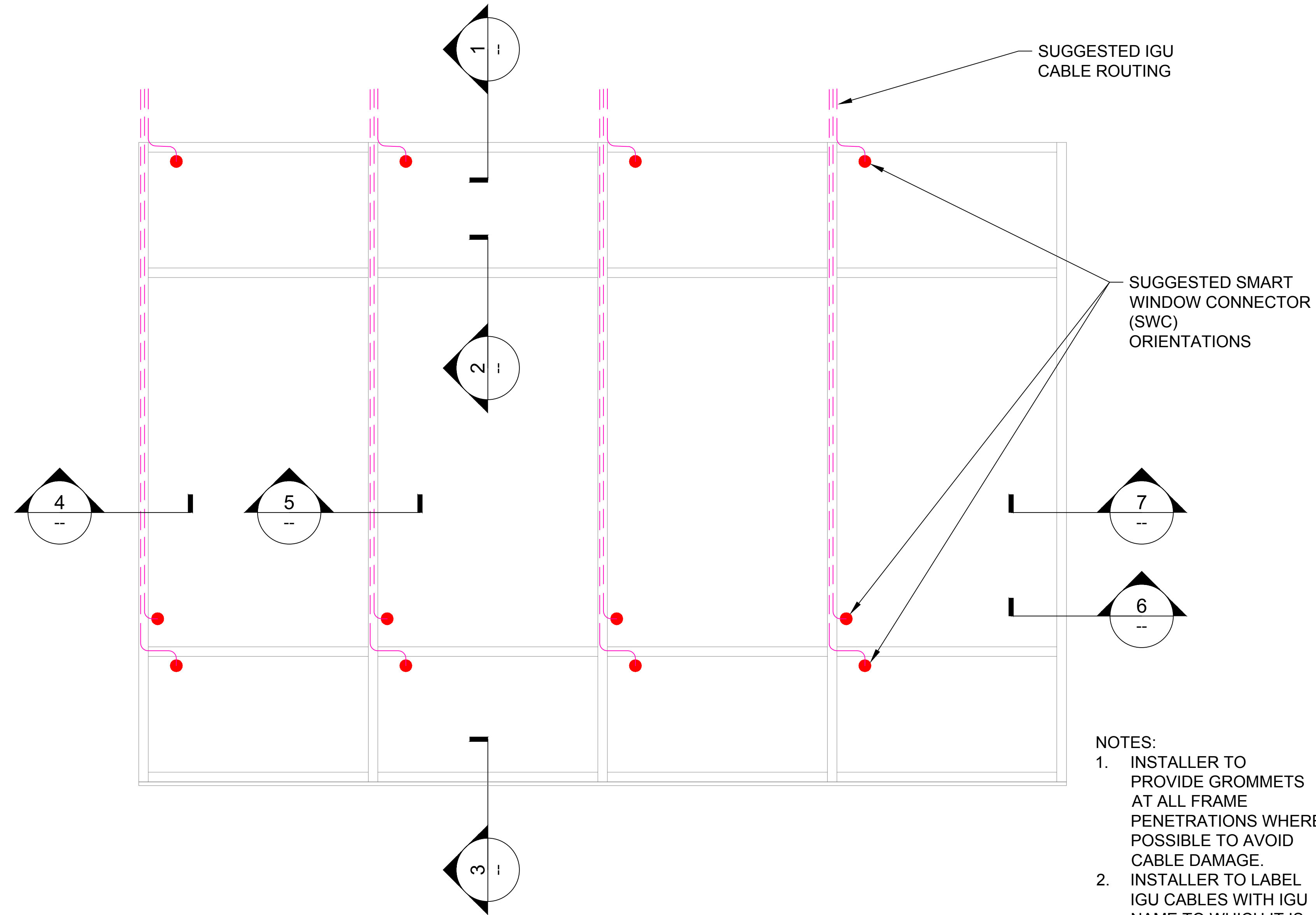


DETAIL 1
HEAD

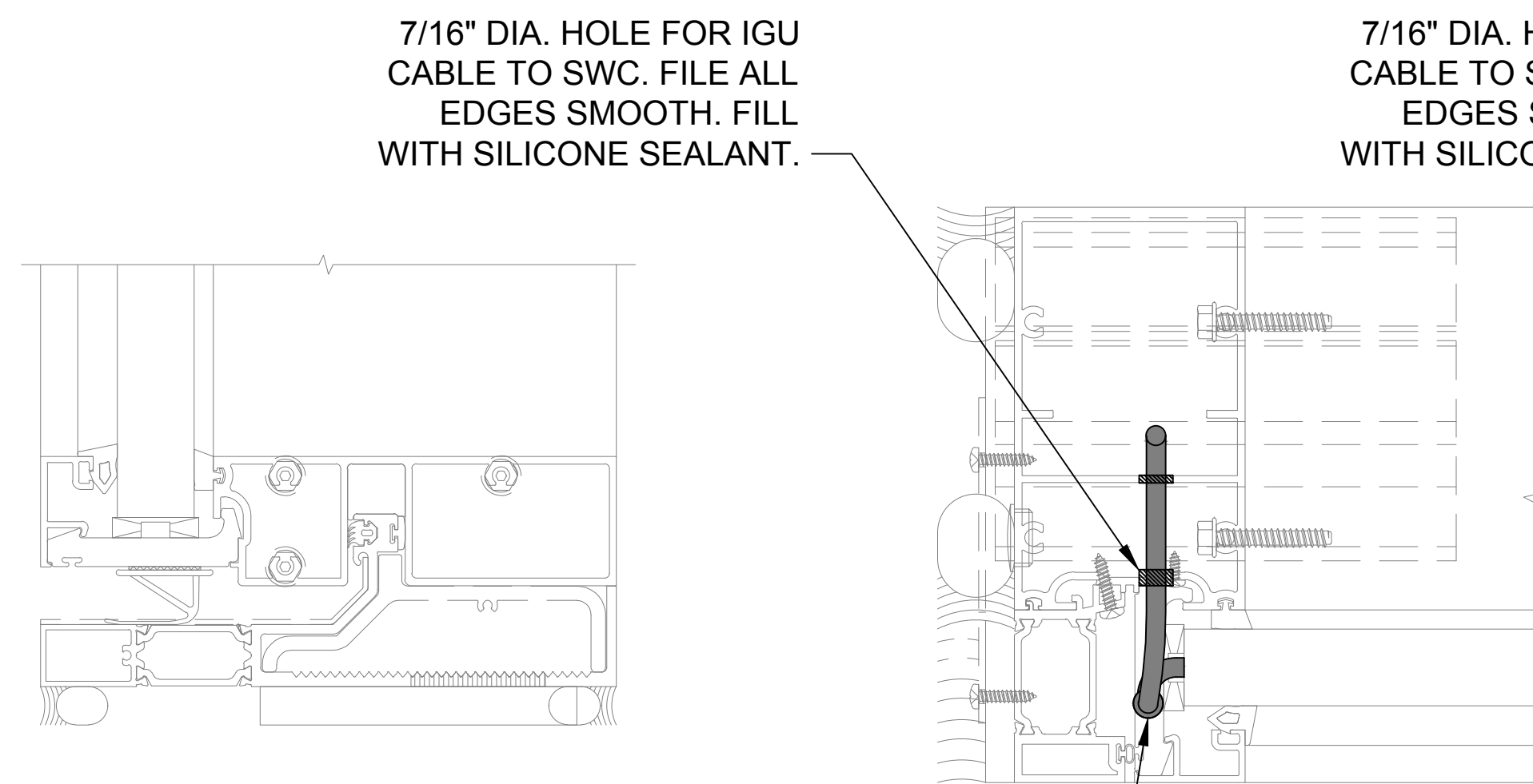


DETAIL 2
HORIZONTAL MULLION

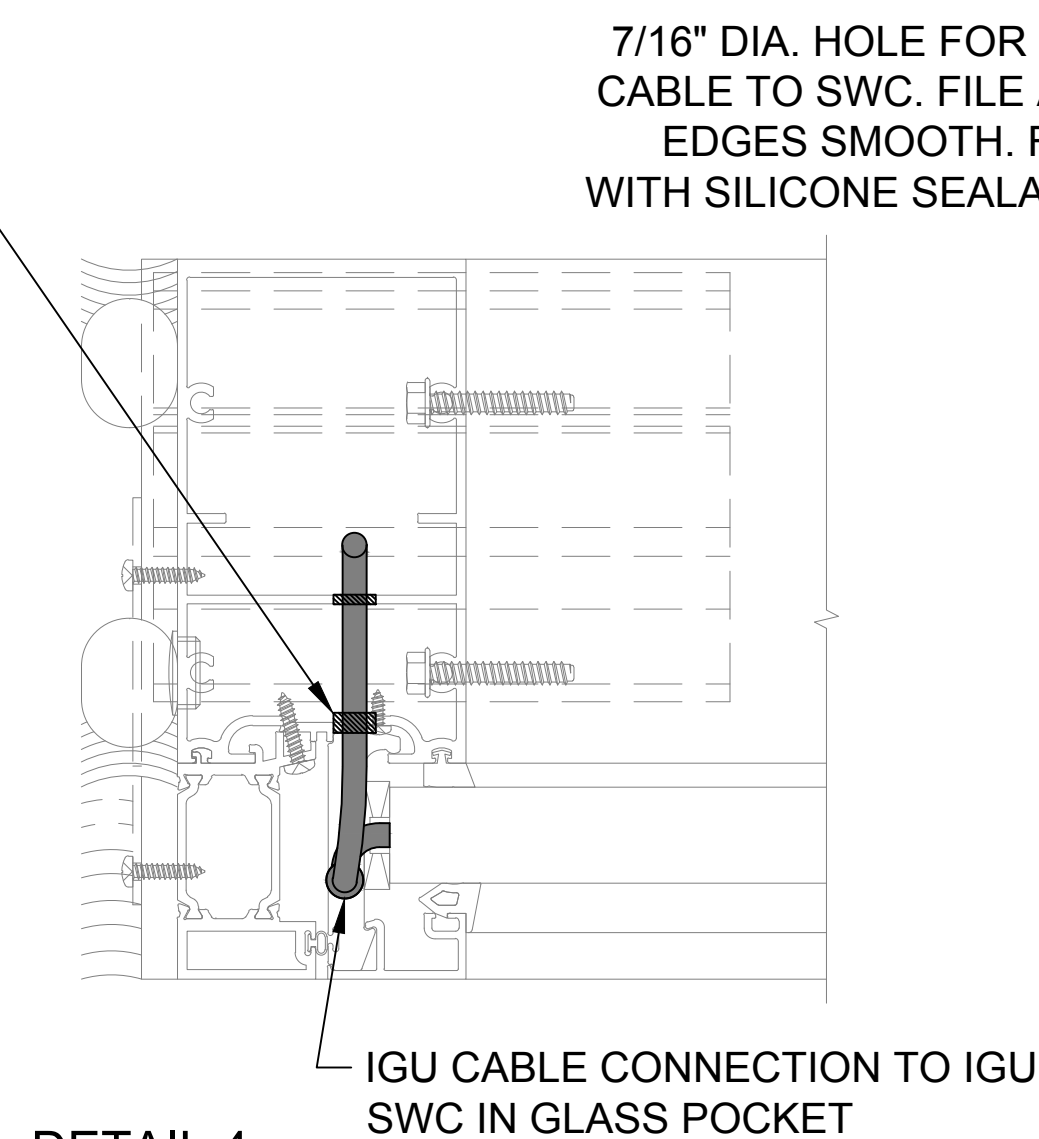


TYPICAL ELEVATION
SCALE: NONE

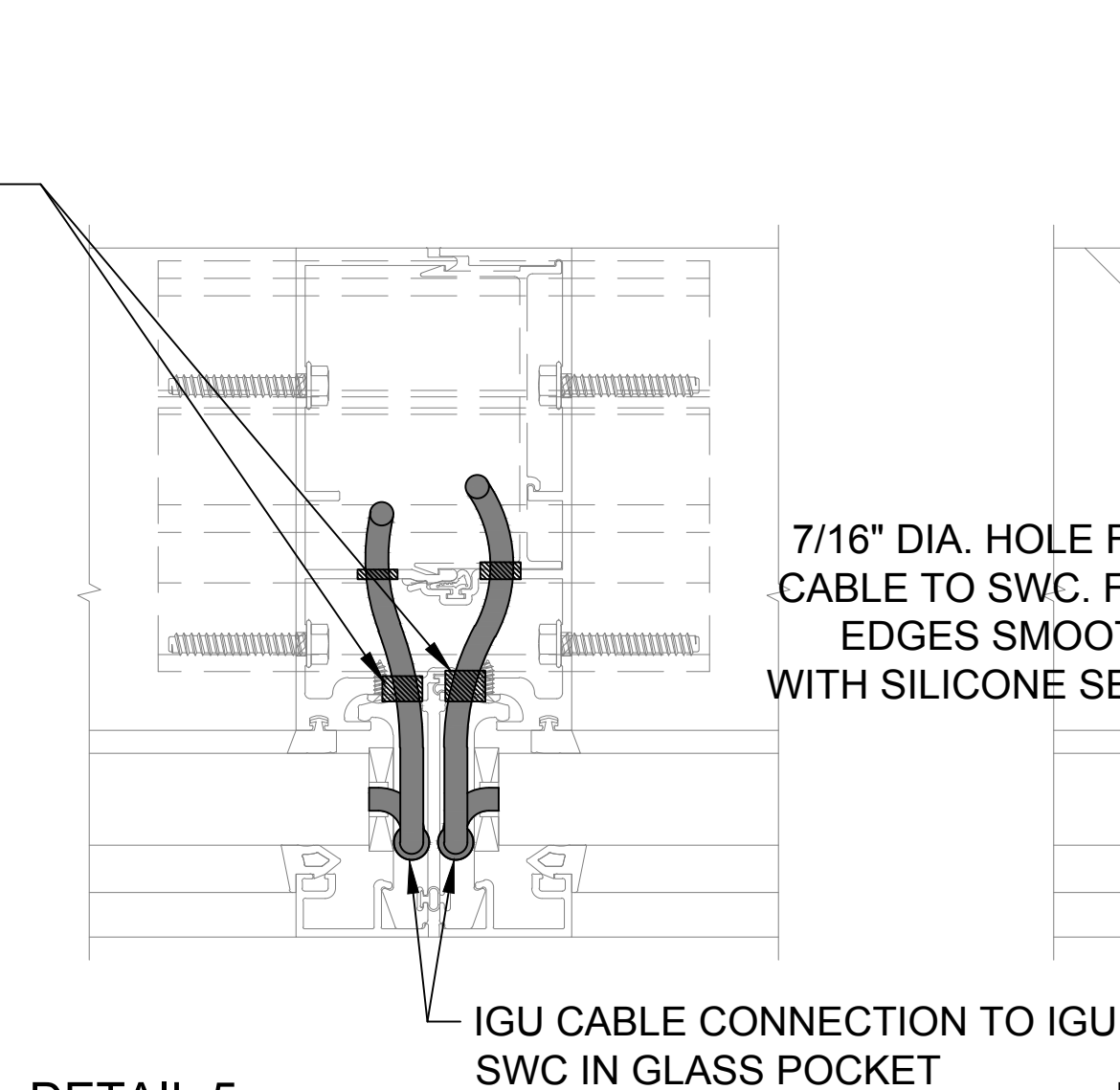
- NOTES:
1. INSTALLER TO PROVIDE GROMMETS AT ALL FRAME PENETRATIONS WHERE POSSIBLE TO AVOID CABLE DAMAGE.
 2. INSTALLER TO LABEL IGU CABLES WITH IGU NAME TO WHICH IT IS CONNECTED.



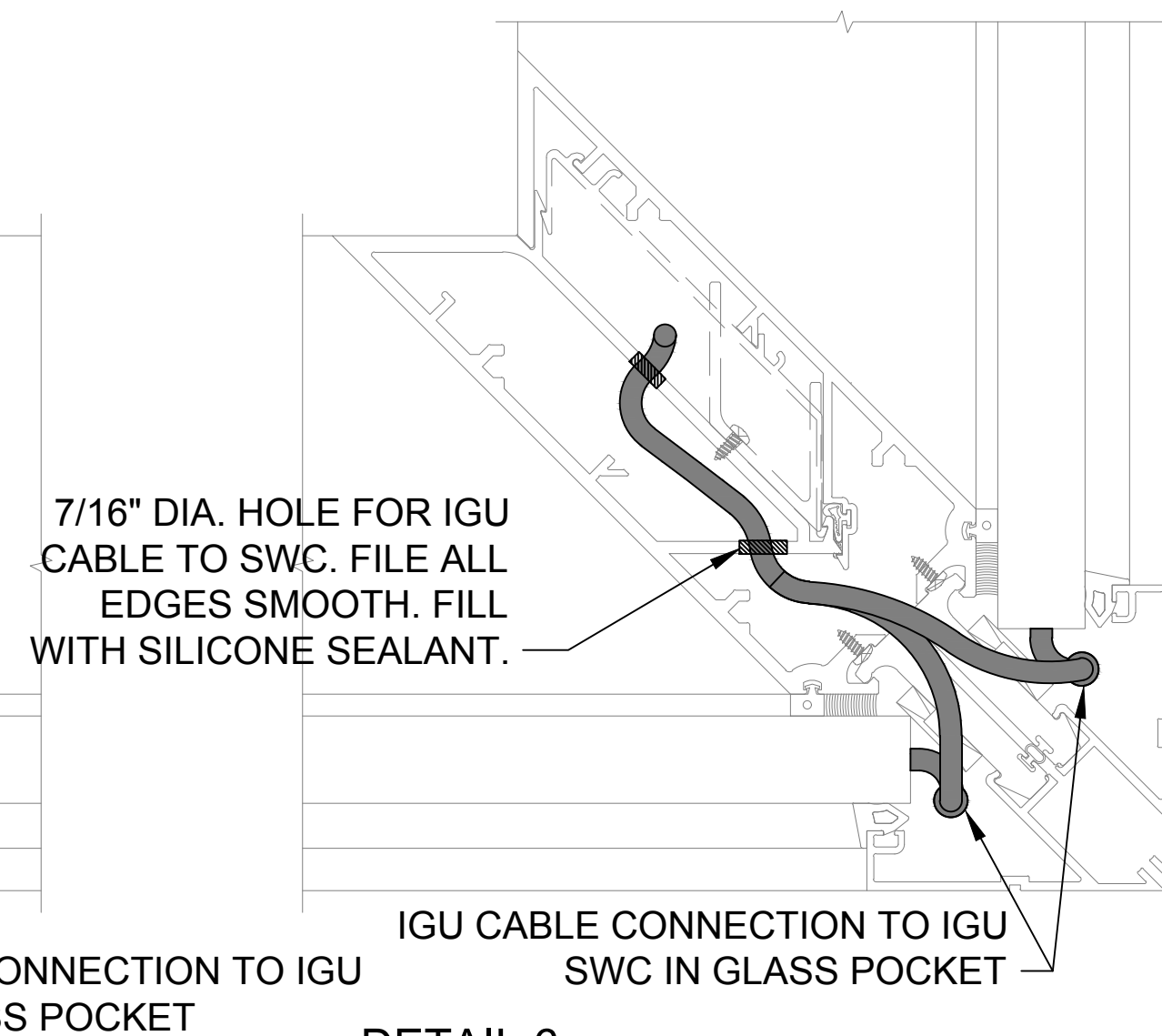
DETAIL 3
SILL



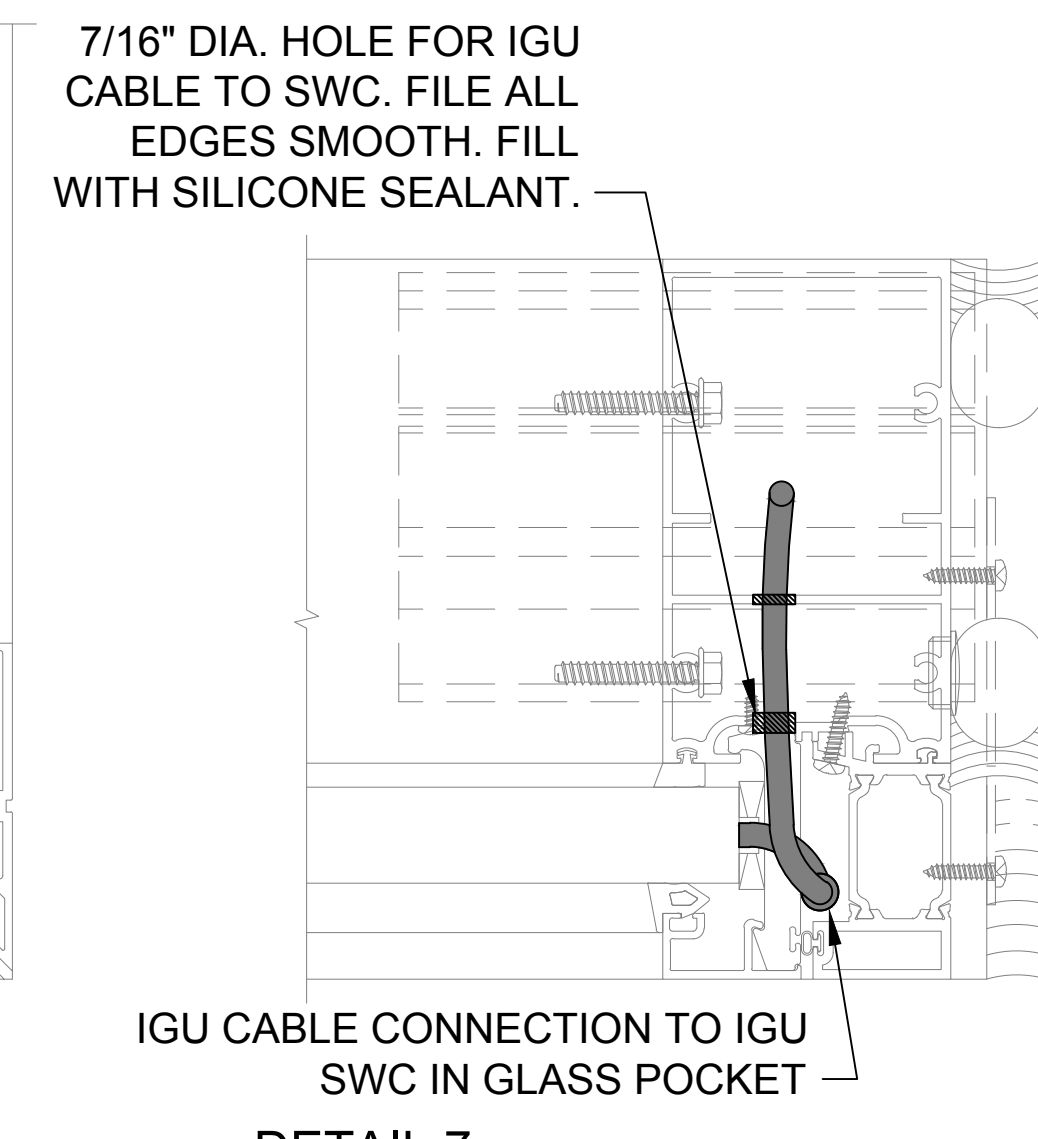
DETAIL 4
LEFT JAMB



DETAIL 5
VERTICAL MULLION



DETAIL 6
OUTSIDE CORNER



DETAIL 7
RIGHT JAMB

1 INSTALLATION DETAILS FOR EFCO SERIES 8750

SCALE: NONE