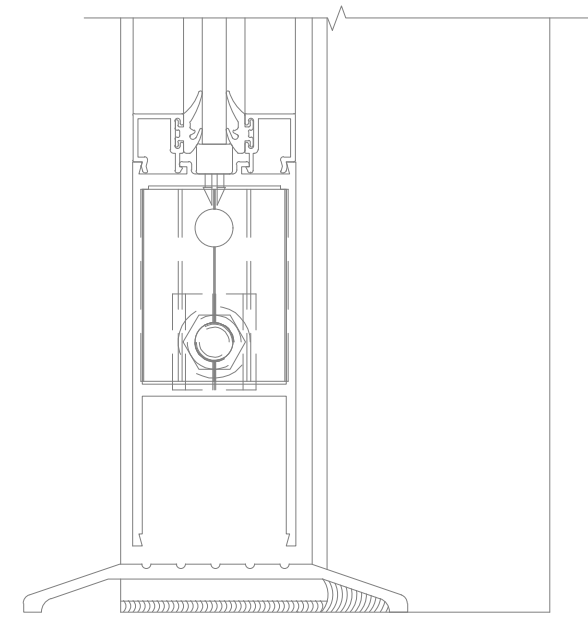
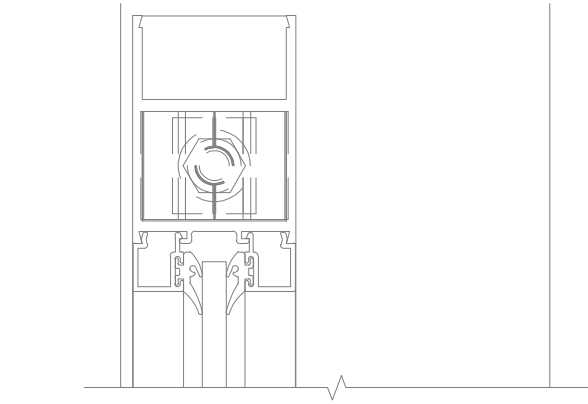


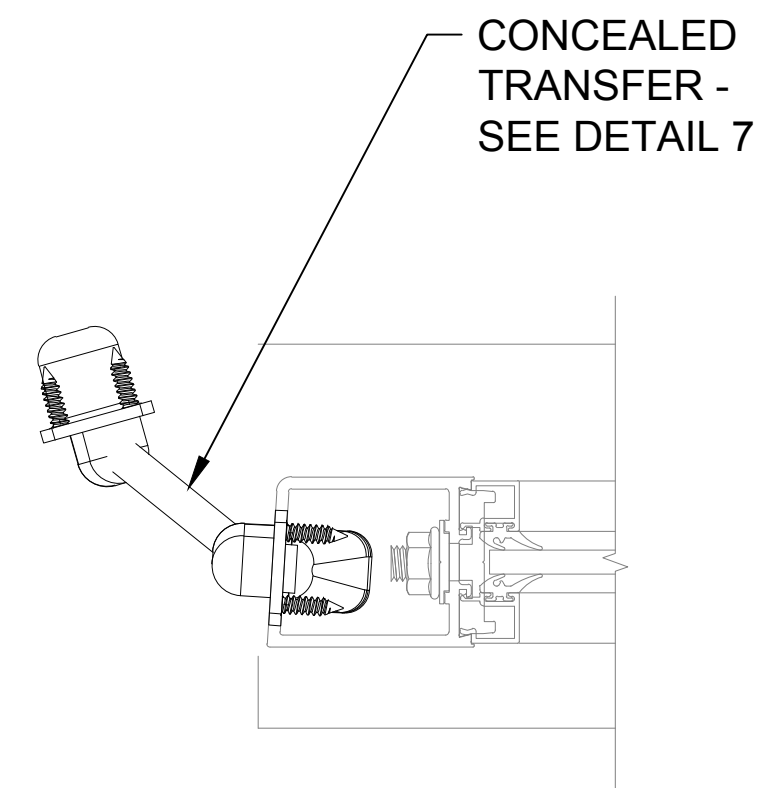
DETAIL 1
TOP RAIL



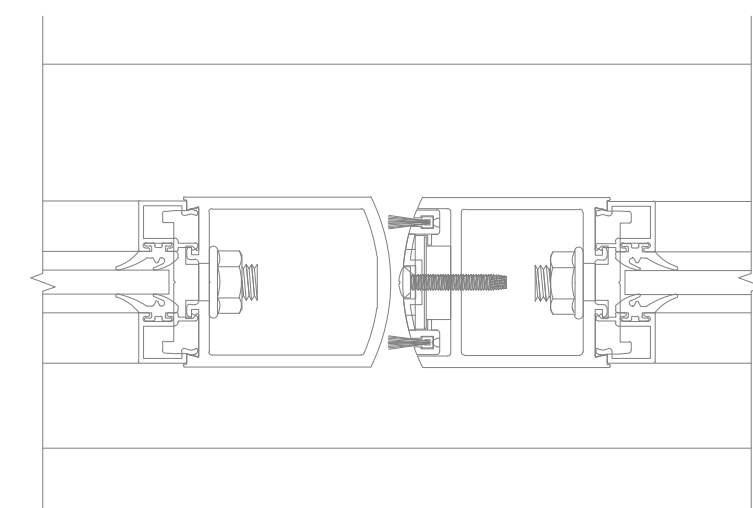
DETAIL 2
BOTTOM RAIL

PAIRED DOORS

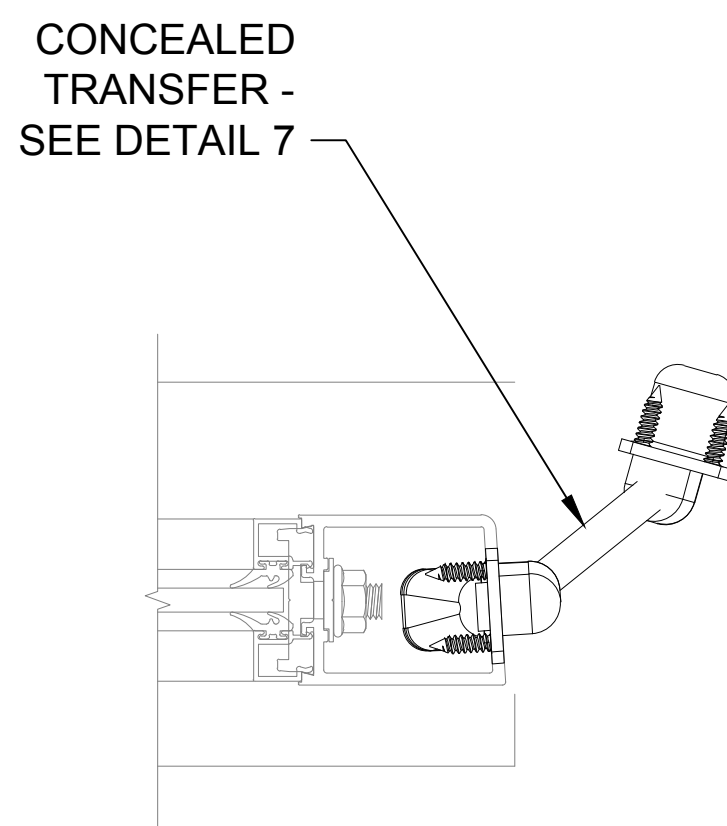
- NOTES:**
1. INSTALLER TO PROVIDE GROMMETS AT ALL FRAME PENETRATIONS WHERE POSSIBLE TO AVOID CABLE DAMAGE.
 2. INSTALLER TO LABEL IGU CABLES WITH IGU NAME TO WHICH IT IS CONNECTED.



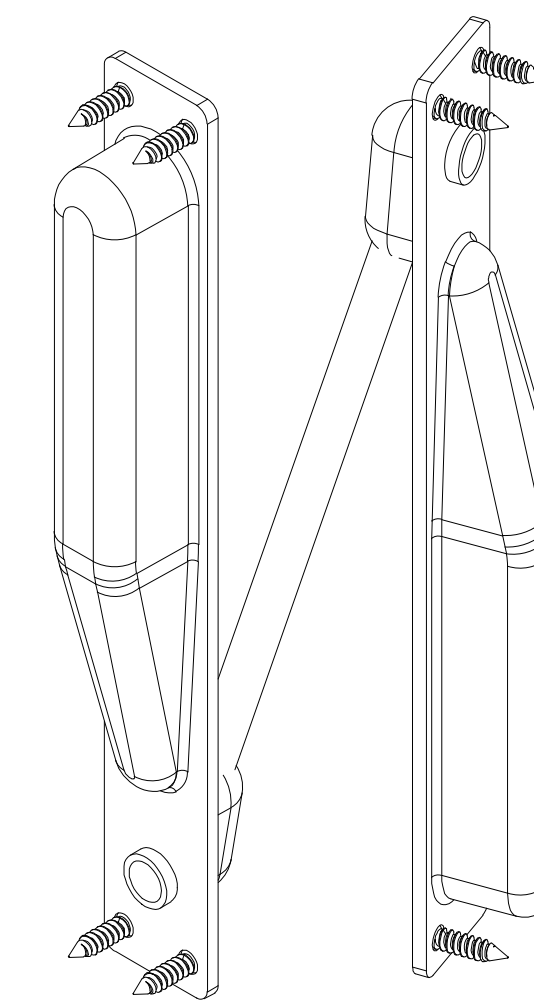
DETAIL 3
STILE, LEFT



DETAIL 4
MEETING STILES



DETAIL 5
STILE, RIGHT



DETAIL 7
CONCEALED TRANSFER

1 INSTALLATION DETAILS FOR EFCO D200 DOORS

SCALE: NONE