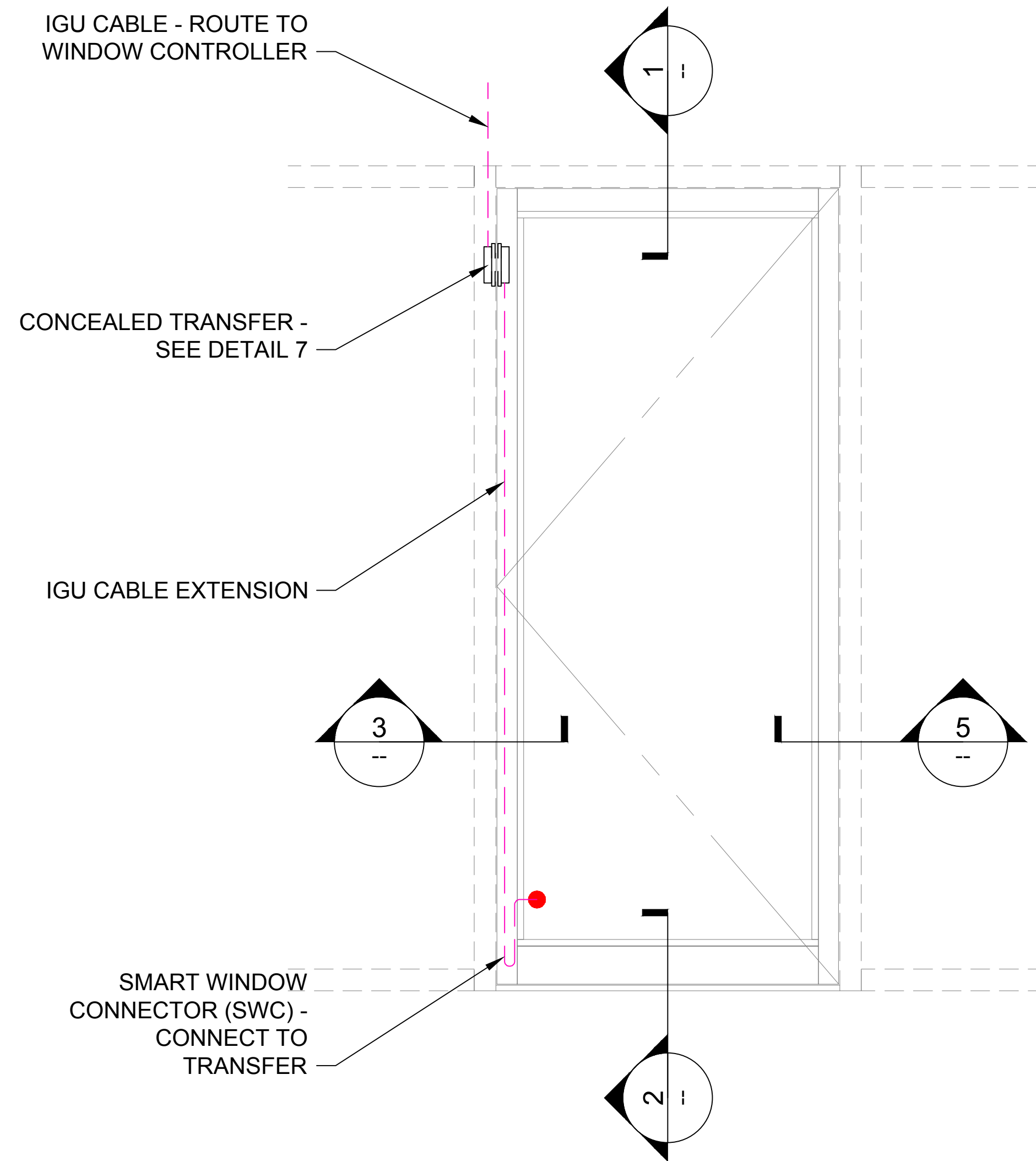
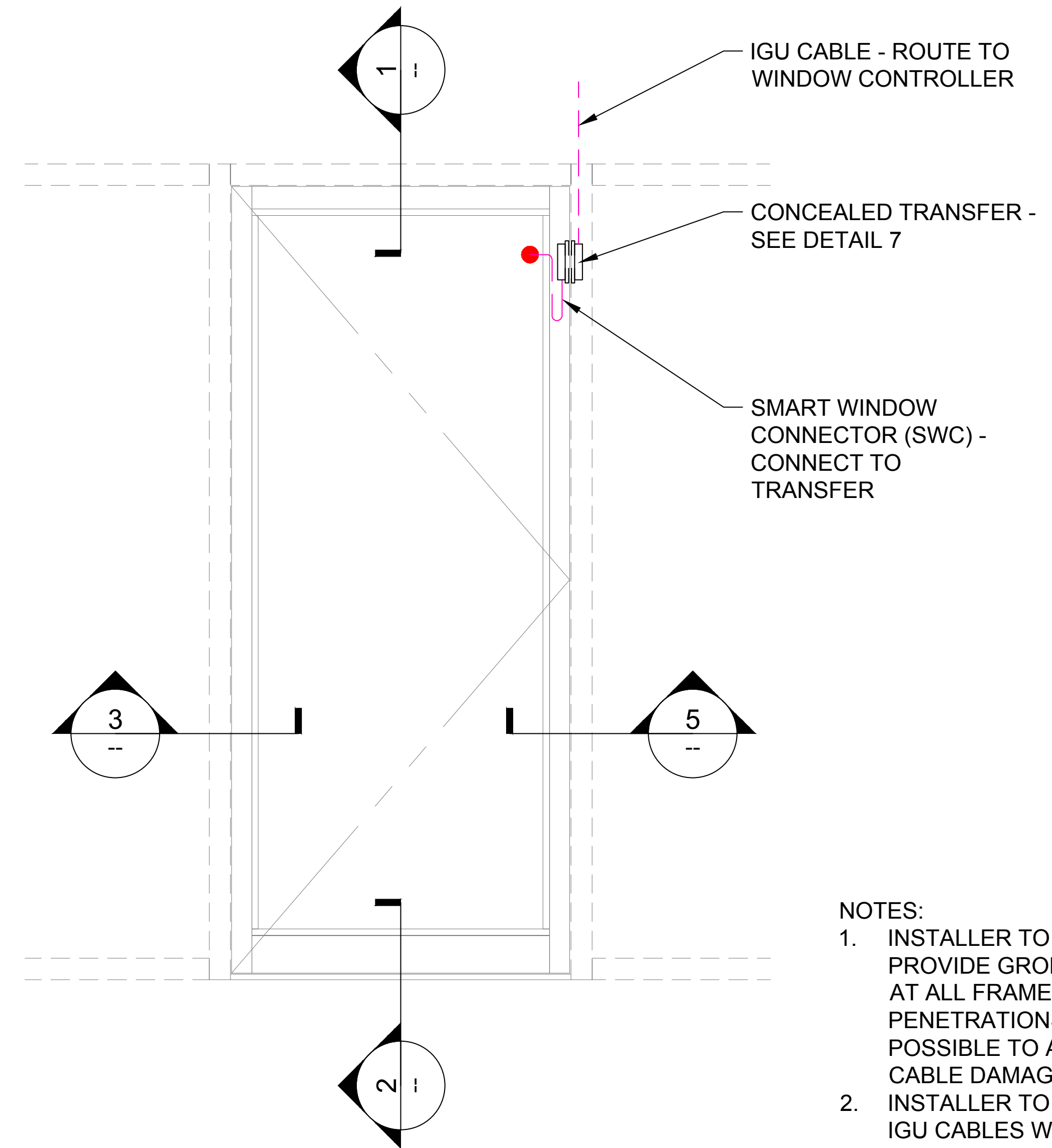


DETAIL 1
 TOP RAIL



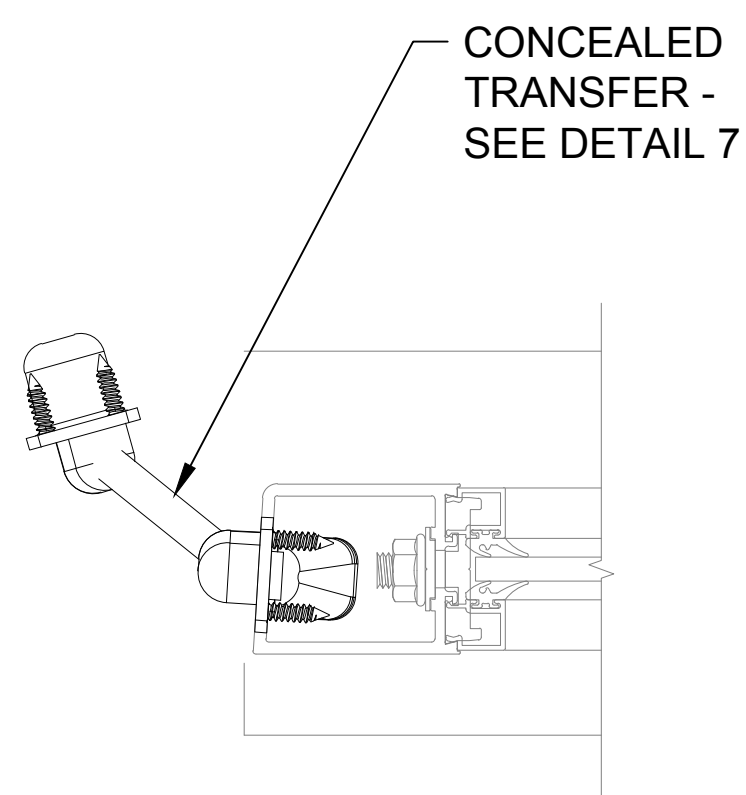
LEFT SWING DOOR



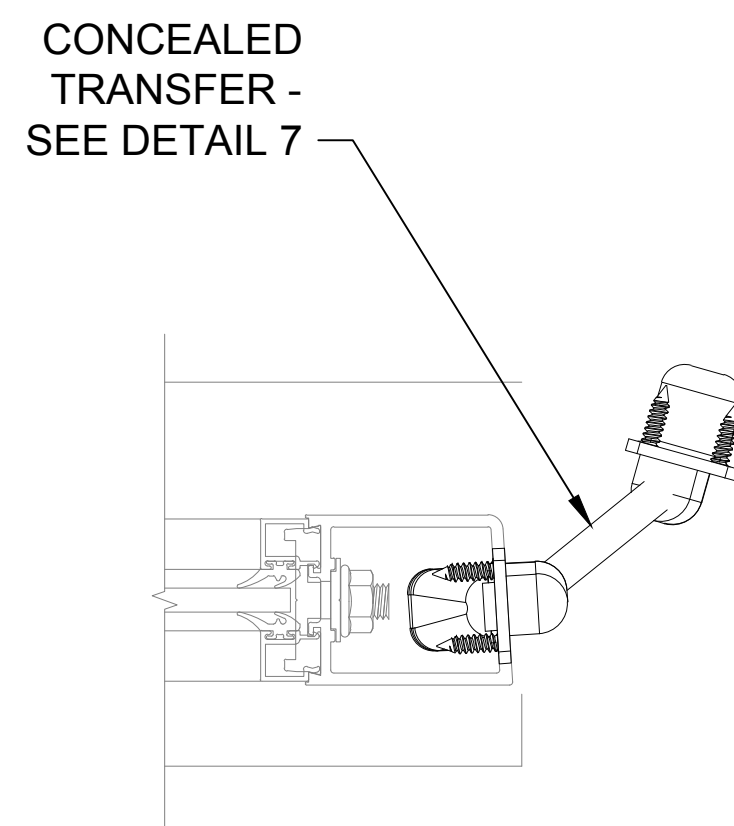
RIGHT SWING DOOR

- NOTES:**
1. INSTALLER TO PROVIDE GROMMETS AT ALL FRAME PENETRATIONS WHERE POSSIBLE TO AVOID CABLE DAMAGE.
 2. INSTALLER TO LABEL IGU CABLES WITH IGU NAME TO WHICH IT IS CONNECTED.

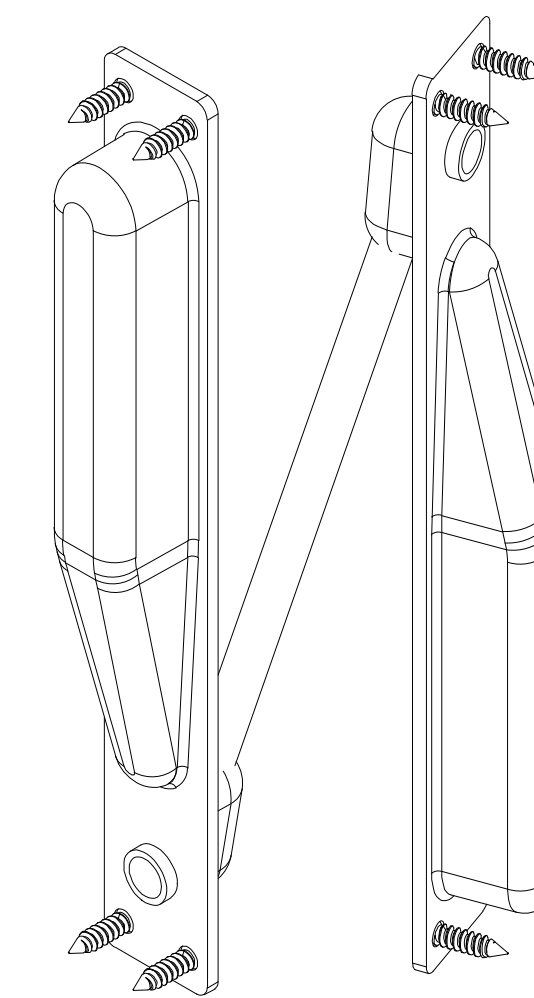
DETAIL 2
 BOTTOM RAIL



DETAIL 3
 STILE, LEFT



DETAIL 5
 STILE, RIGHT



DETAIL 7
 CONCEALED TRANSFER

1 **INSTALLATION DETAILS FOR EFCO D300 DOORS**