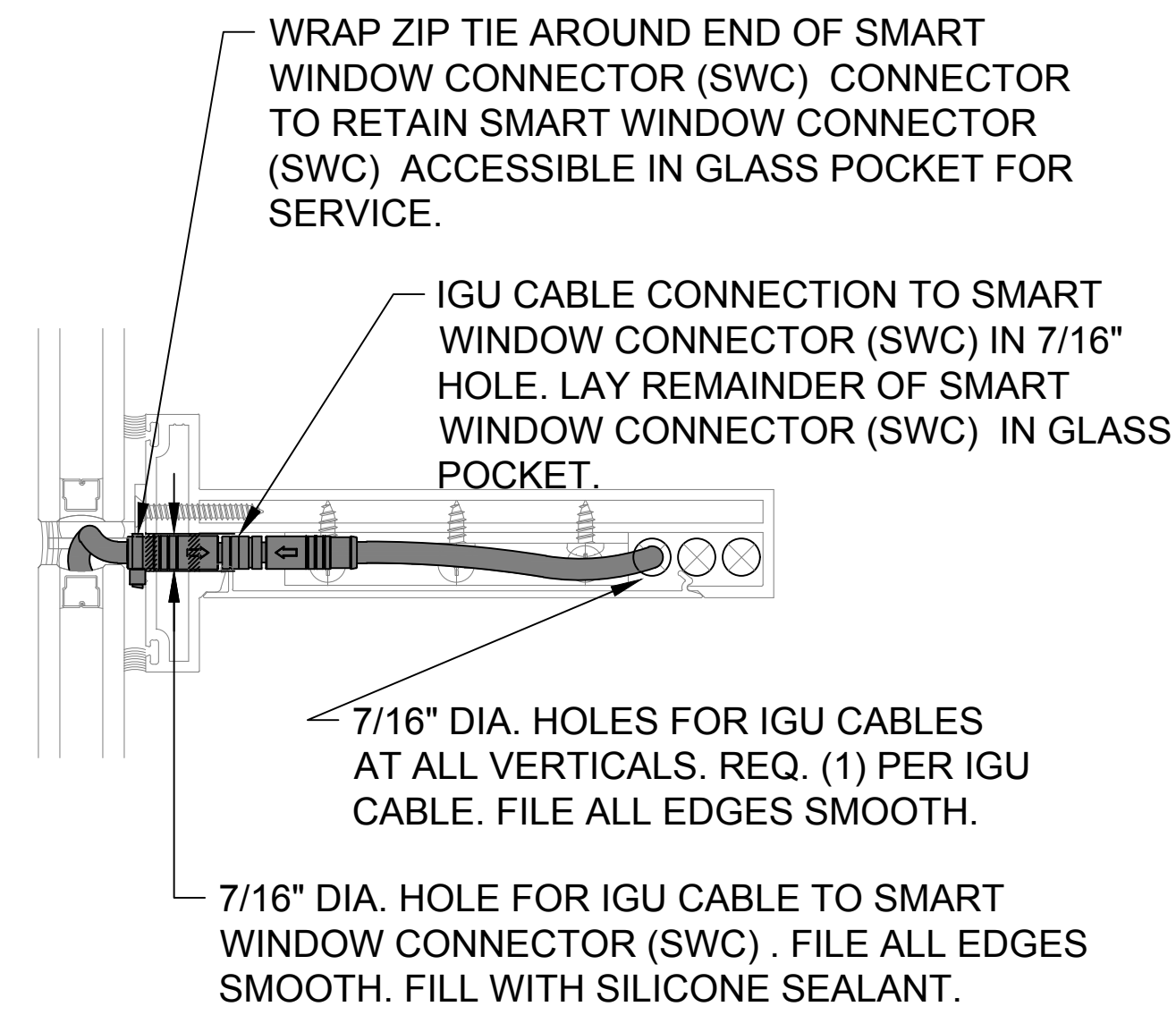
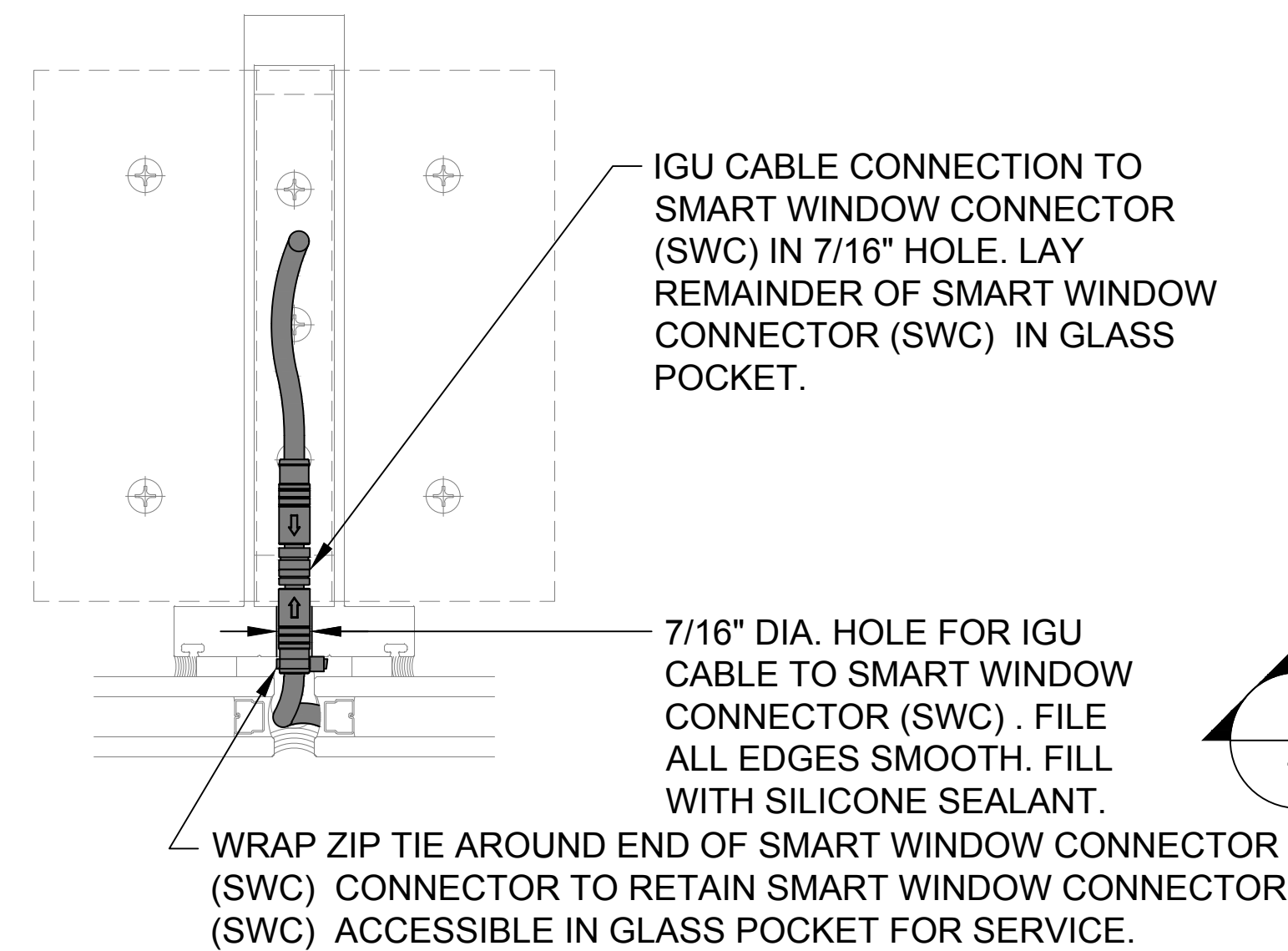


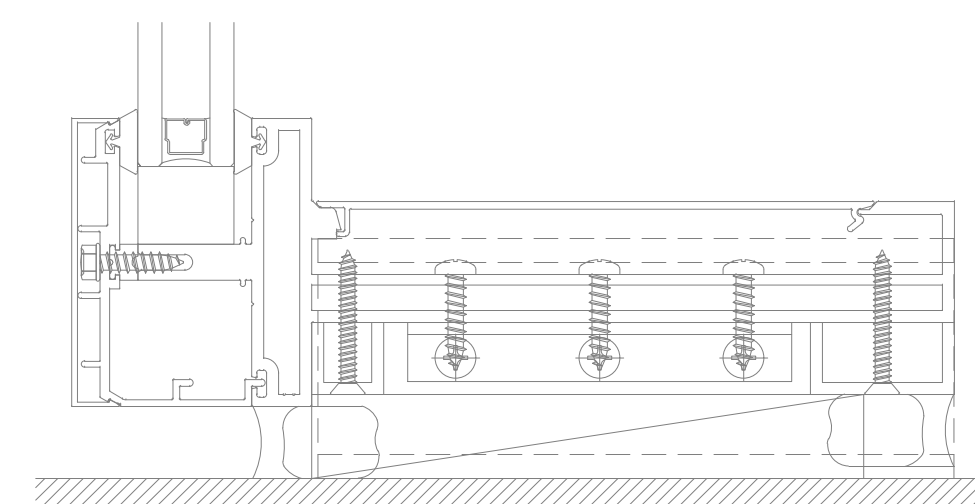
DETAIL 1
 HEAD



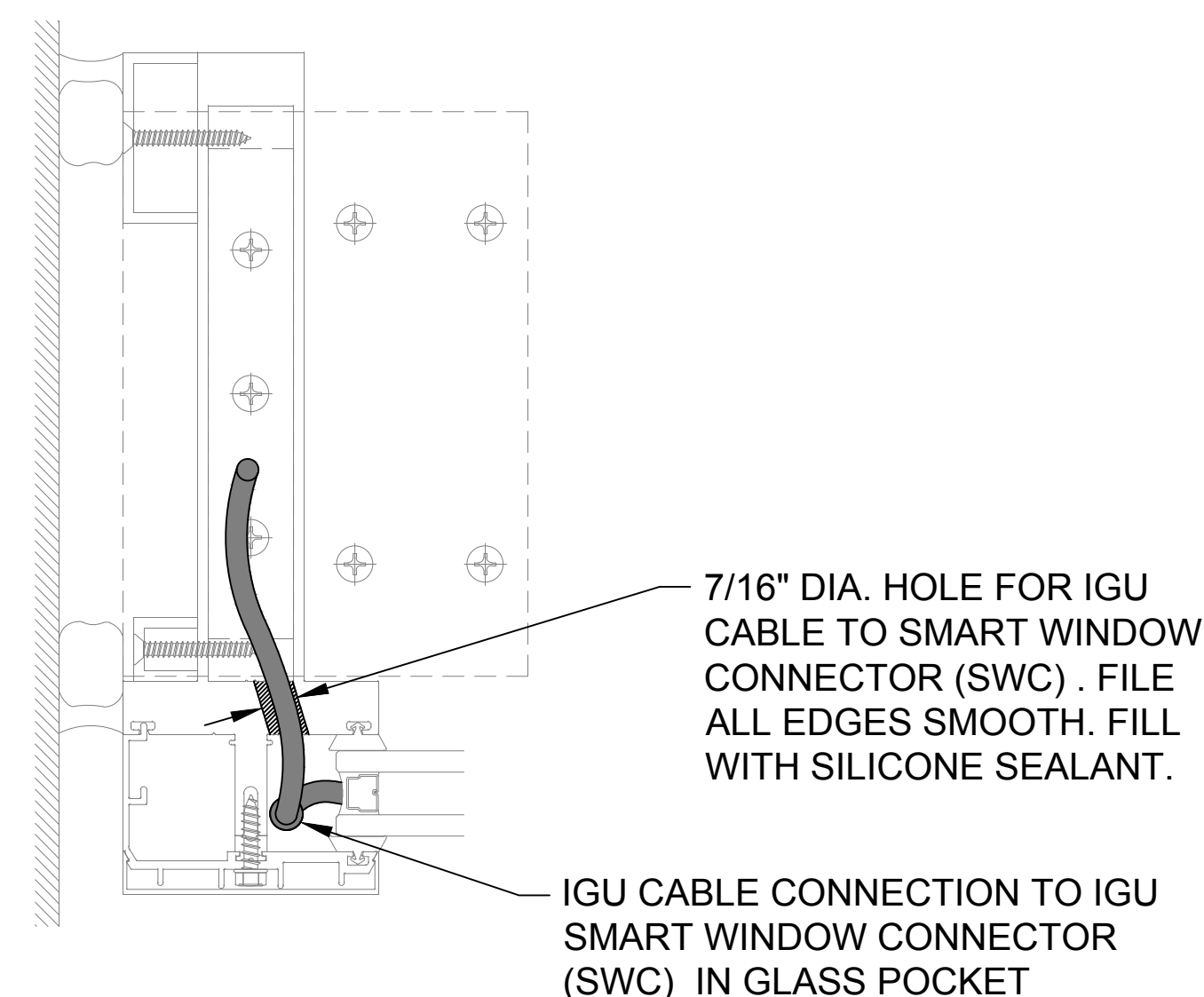
DETAIL 2
 HORIZONTAL MULLION, SILICONE GLAZED



DETAIL 4
 VERTICAL MULLION, SILICONE GLAZED

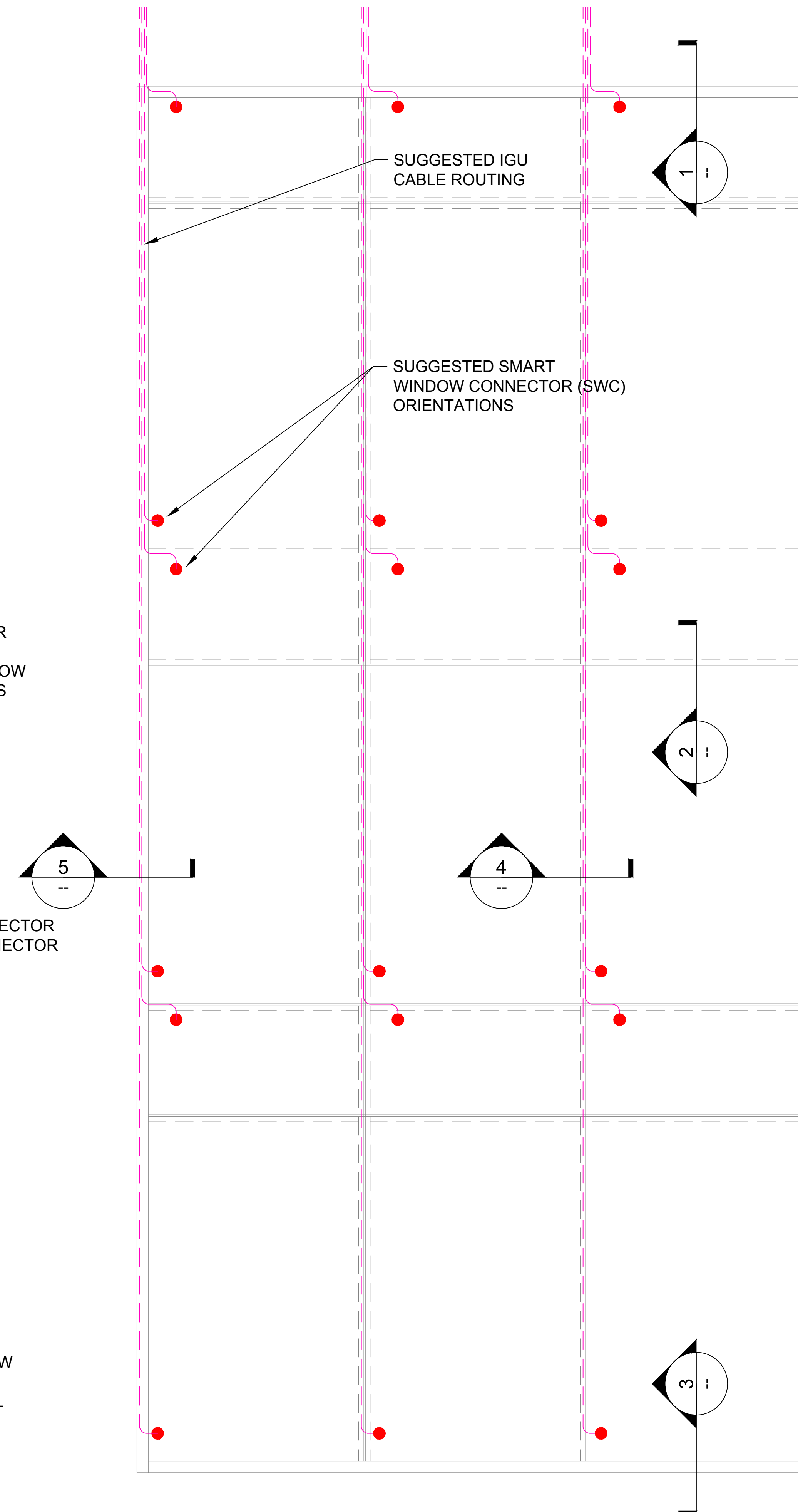


DETAIL 3
 SILL



DETAIL 5
 LEFT JAMB

- NOTES:
1. INSTALLER TO PROVIDE GROMMETS AT ALL FRAME PENETRATIONS WHERE POSSIBLE TO AVOID CABLE DAMAGE.
 2. INSTALLER TO LABEL IGU CABLES WITH IGU NAME TO WHICH IT IS CONNECTED.



TYPICAL ELEVATION
 SCALE: NONE