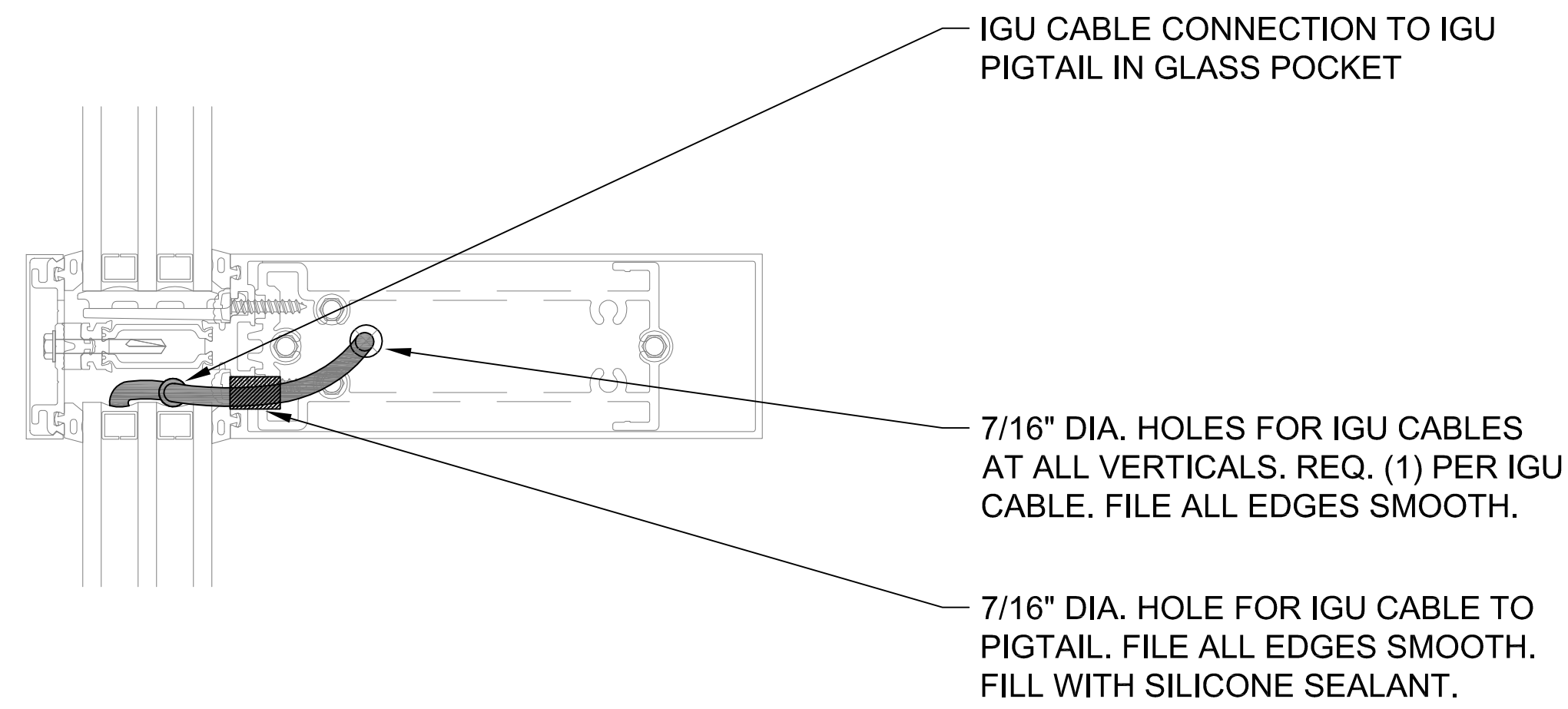
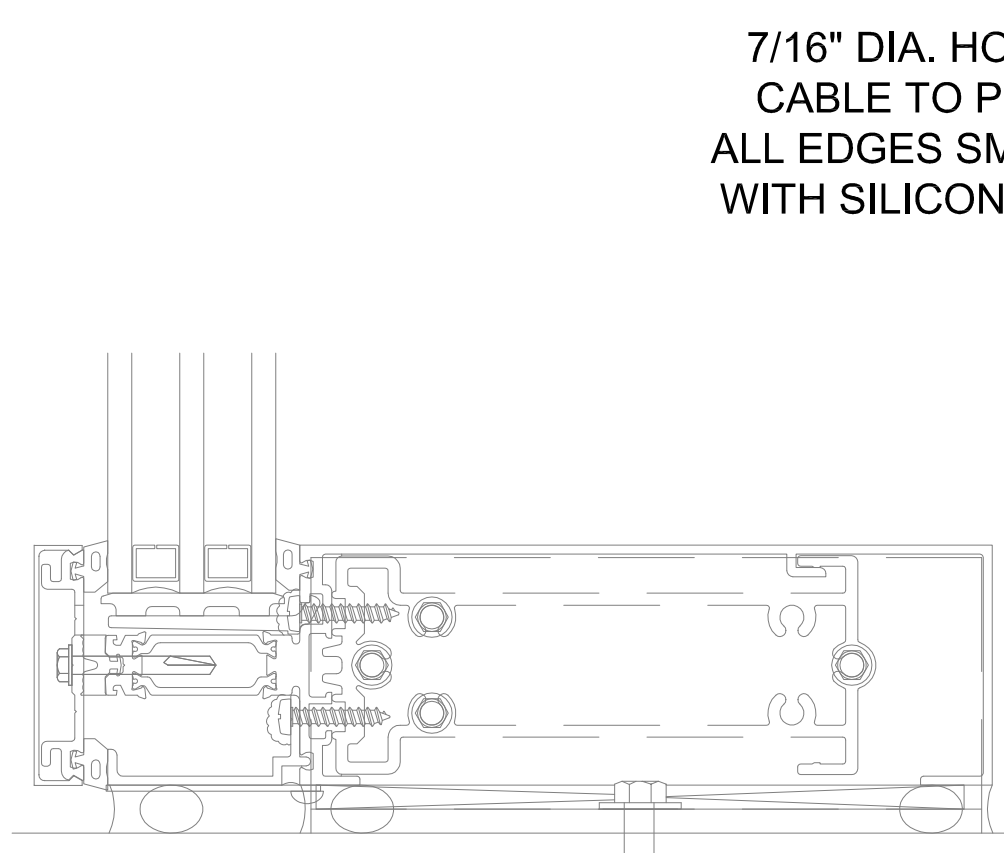


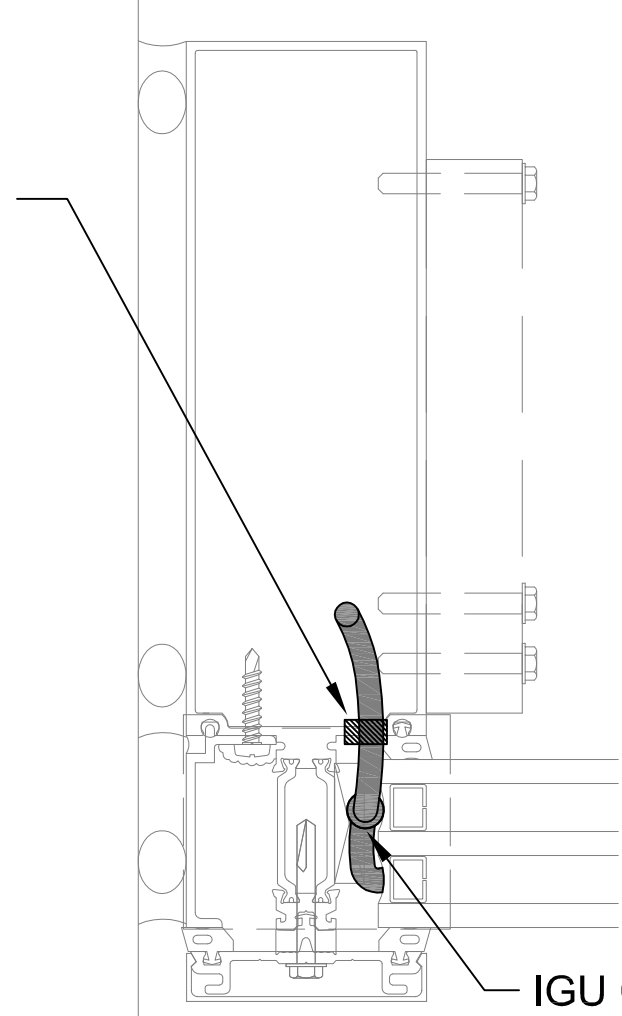
DETAIL 1
 HEAD



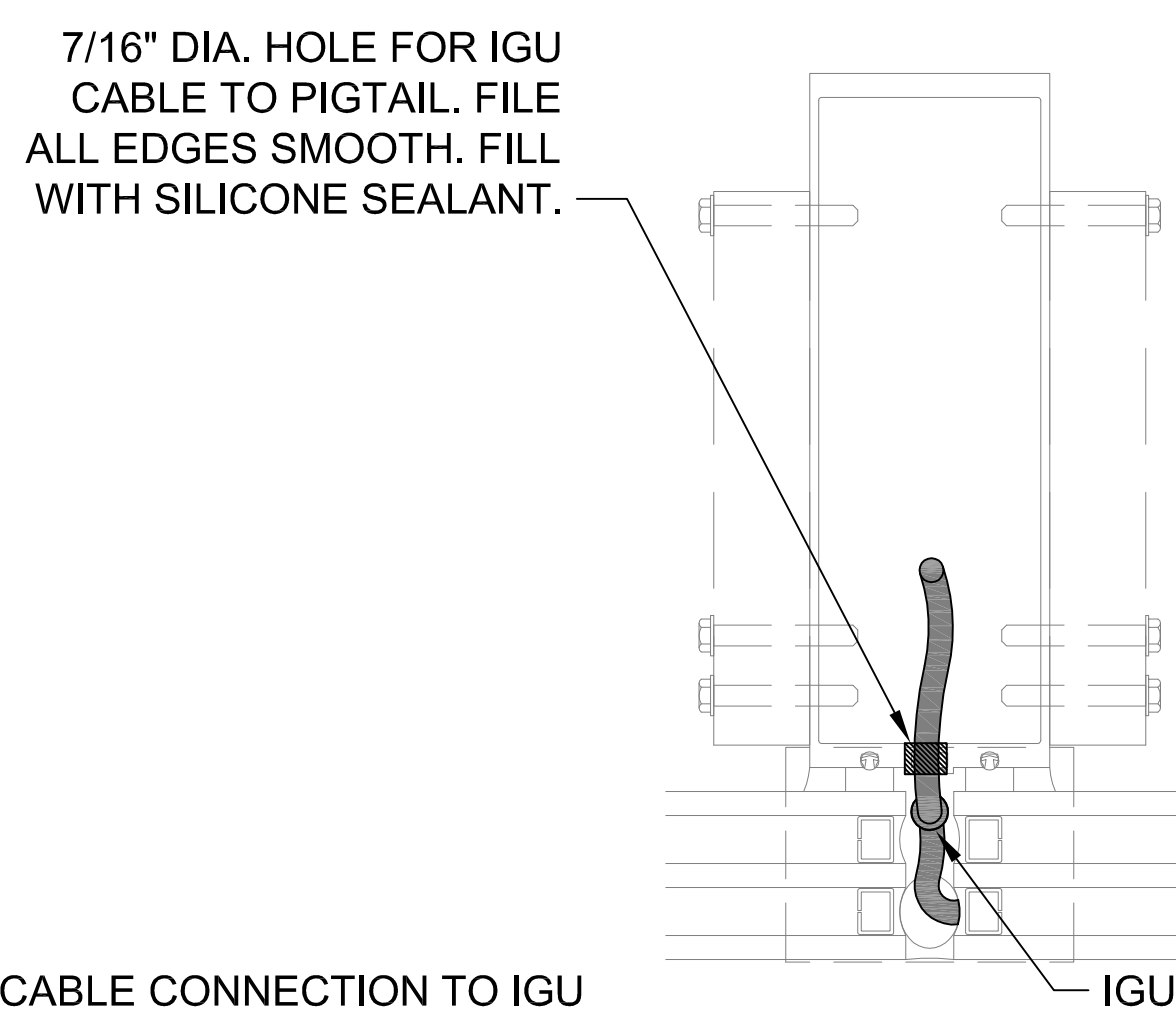
DETAIL 2
 HORIZONTAL MULLION



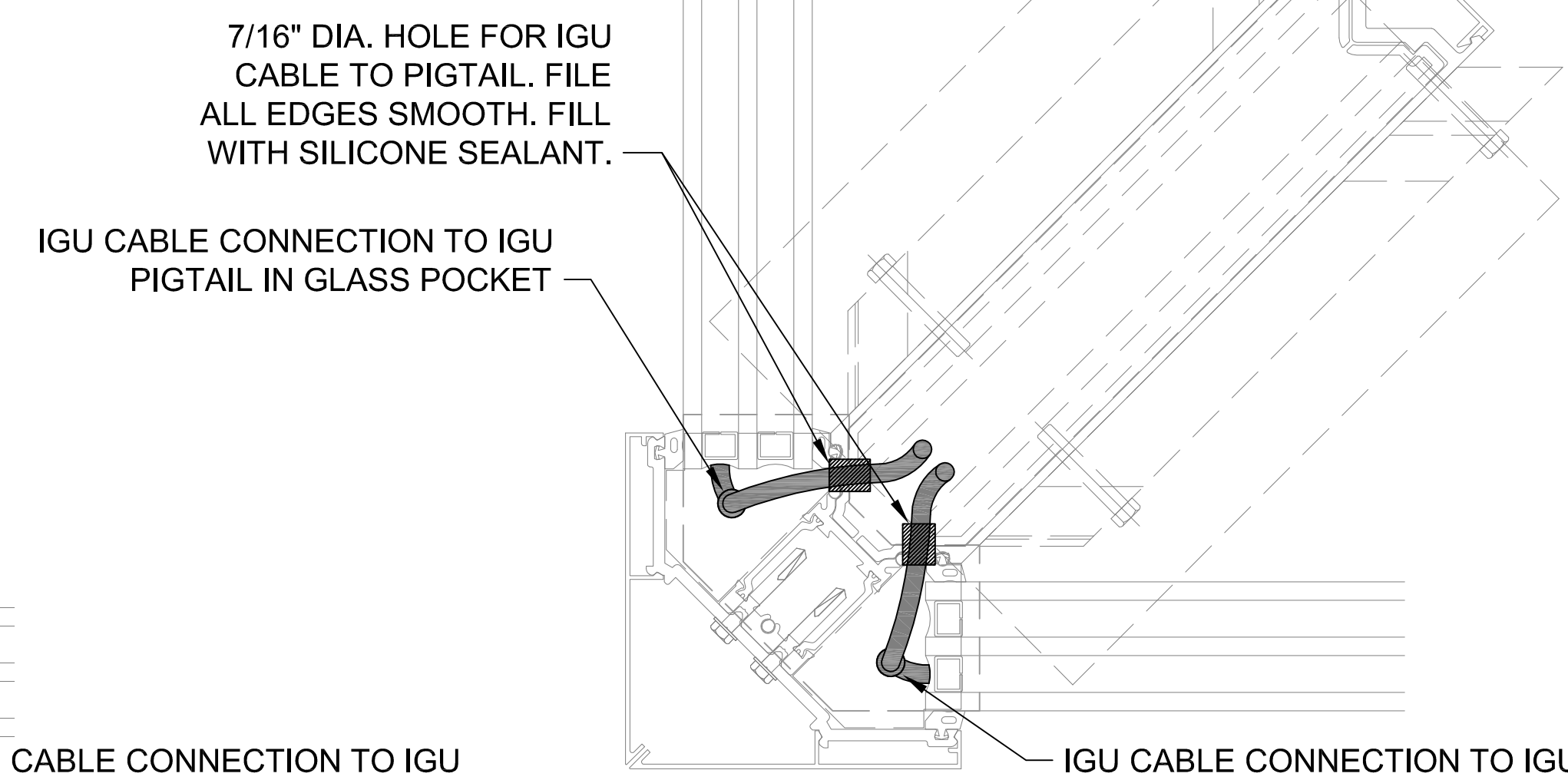
DETAIL 3
 SILL



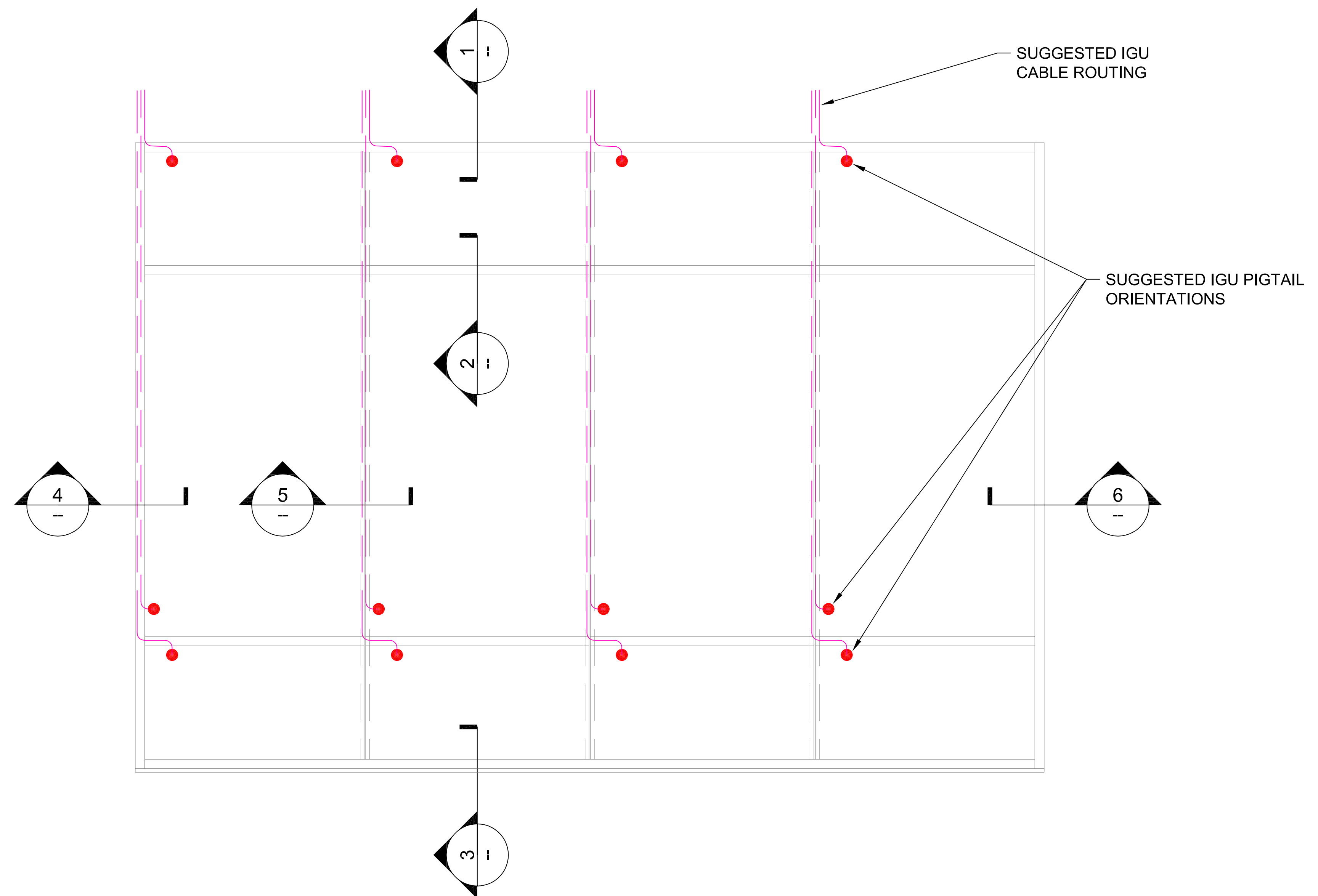
DETAIL 4
 LEFT JAMB



DETAIL 5
 VERTICAL MULLION



DETAIL 6
 OUTSIDE CORNER



1 INSTALLATION DETAILS FOR OLDCASTLE RELIANCE HTC CURTAINWALL - SSG

SCALE: NONE

PLOT DATE: February 22, 2019

VIEW INC. CONFIDENTIAL: THIS DOCUMENT AND THE INFORMATION CONTAINED IN IT ARE CONFIDENTIAL AND CANNOT BE COPIED OR DISCLOSED IN WHOLE OR IN PART WITHOUT THE EXPRESS WRITTEN CONSENT OF VIEW, INC.®