

Power Insert Cable / Power Cable Connectors

P/N 300-101032 (Power Insert Cable)

P/N 310-000061, 310-000063 (Power Cable Connectors)

P/N 370-000025 (Power Tee Connector)

Description

Power Insert Cables distribute electrical power from the View Control Panel to the Trunk Cabling System.

- Class 2 Plenum-rated cable with 4 14-AWG conductors, available in 1000 foot spools.

Note: Cable jacket color may vary.

Power Insert Cables are terminated with field wireable Power Cable Connectors.

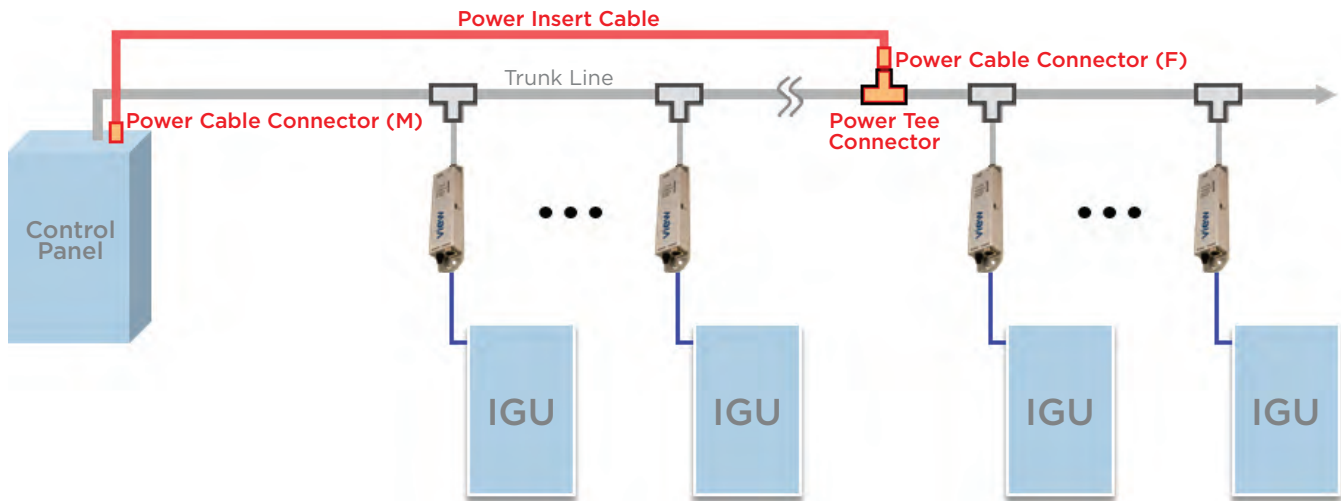
- Male/Female 4-pin Connectors.

Each Power Insert Cable is connected to a Trunk Line with a Power Tee Connector.

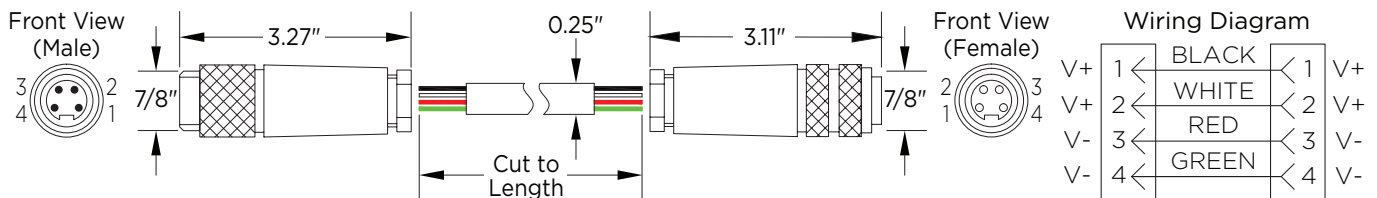
- Male 4-pin Connector, Male/Female 5-pin Connectors.



Application Example



Power Insert Cable and Connectors



Project Submittal Information

JOB NAME:	NOTES:
JOB NUMBER:	

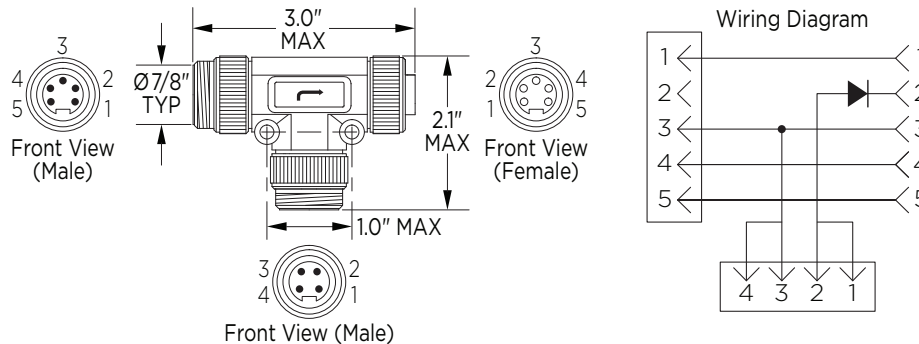
Power Insert Cable / Power Cable Connectors

P/N 300-101032 (Power Insert Cable)

P/N 310-000061, 310-000063 (Power Cable Connectors)

P/N 370-000025 (Power Tee Connector)

Power Tee Connector



Specifications

Power Insert Cable	4 Conductors: 14 AWG Jacket: Unshielded, Low Smoke Polyvinyl Chloride Rated Current: 6.4 A Max per conductor Rated Voltage: 150 V Max Rating: Plenum/CL2P RoHS Compliant UL Listed
Warranty	5 year warranty
Electrical	Products have IP rated connectors to transfer power to and from the IGU.

Ordering Information

Product	Part Number
Power Insert Cable, 14 AWG, Plenum, 1000 foot Spool	300-101032

Product	Part Number
Power Cable Connector, 7/8 inch, Field Wireable, 4-pin, Male	310-000061
Power Cable Connector, 7/8 inch, Field Wireable, 4-pin, Female	310-000063
Power Tee Connector, 7/8 inch, 4-pin, Male / 5-pin, Male, 5-pin, Female	370-000025

Project Submittal Information

JOB NAME:	NOTES:
JOB NUMBER:	