

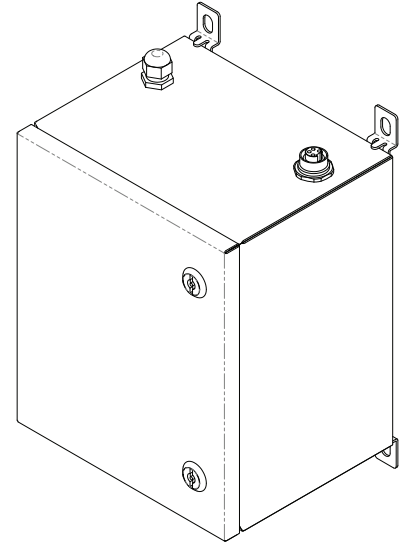
Power Injection Panel

Description

The View Power Injection Panel is a single-door wall-mounted enclosure that contains the supplemental power supply to support an extended installation of window controllers and IGUs. In a large installation, this product provides a solution to boost the power level in the trunk line for IGUs that might be beyond the reach of the low-voltage power source from the Control Panel.

Features

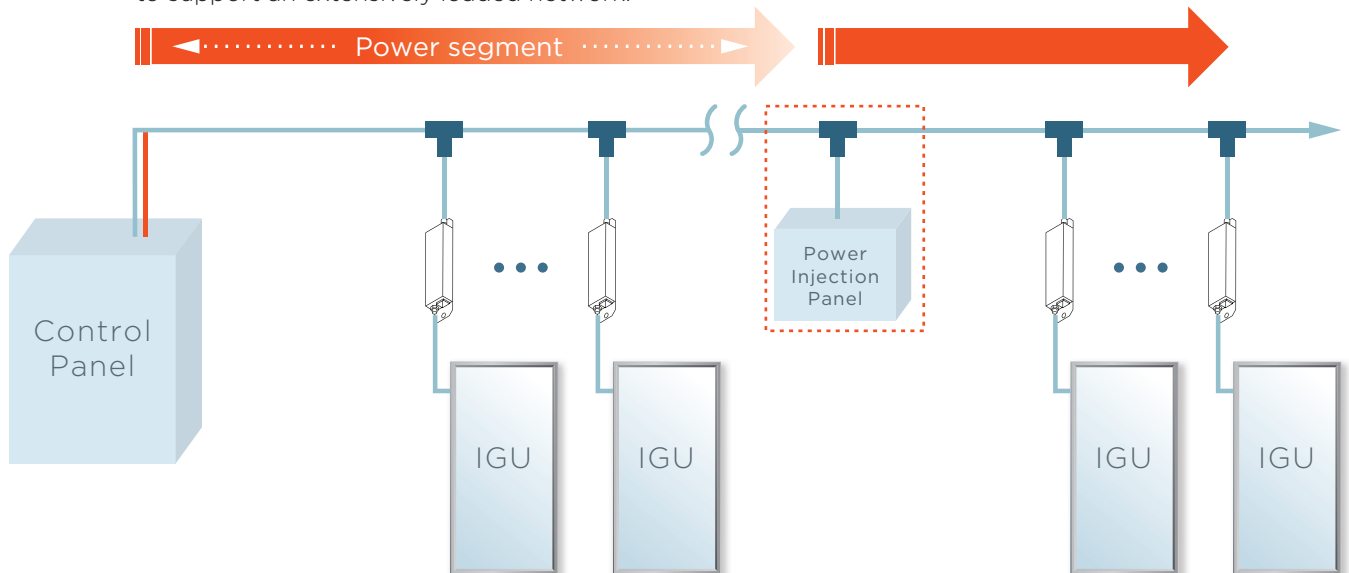
- Packaged solution in a compact and easy-to-mount enclosure
- Wiring terminals are readily set up for quick wiring connection to the unit



Application

Depending on the length of the installation and the number of connected window controllers, the Control Panel power source may not be adequate to support an extensively loaded network.

The Power Injection Panel provides supplemental power required for an extended installation.



Project submittal information

JOB NAME:	NOTES:
JOB NUMBER:	

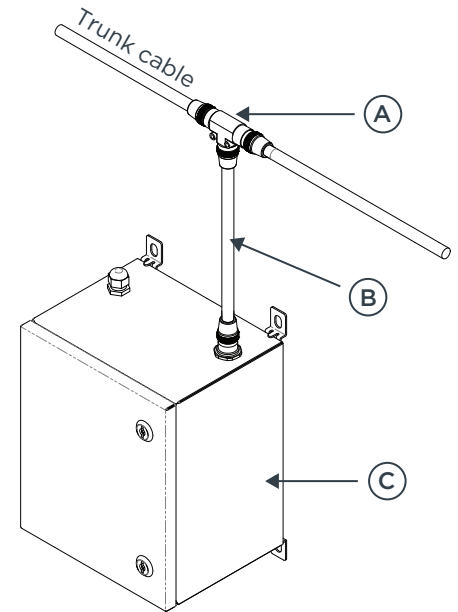
Power Injection Panel

Integration overview

To add a Power Injection Panel on to a network trunk cable, the following components are required. Please note that the trunk cable must be cut and terminated with the proper 7/8" connectors (5-pin) to accept the Power Injection Panel assembly.

ID	Part name	Part name	Connector description
A	Trunk Power Tee	P4TEE-LC5F-LC5M-LC4M*	7/8" connectors: <ul style="list-style-type: none"> • 5-pin male • 5-pin female • 4-pin male
B	Power Cable	CS-LC4F-LC4M-XXX*	7/8" connectors: <ul style="list-style-type: none"> • 4-pin male • 4-pin female
C	Power Injection Panel	010-101125	7/8" connector <ul style="list-style-type: none"> • 4-pin female

*Refer to the product datasheet for more information

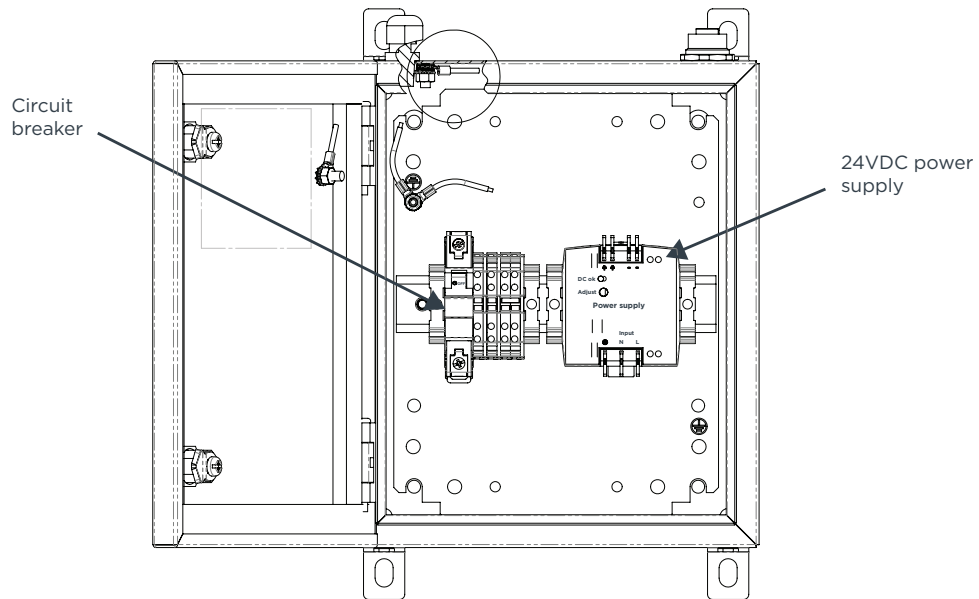


Project submittal information

JOB NAME:	NOTES:
JOB NUMBER:	

Power Injection Panel

Power Injection Panel layout



Inside view of Power Injection Panel

Specifications

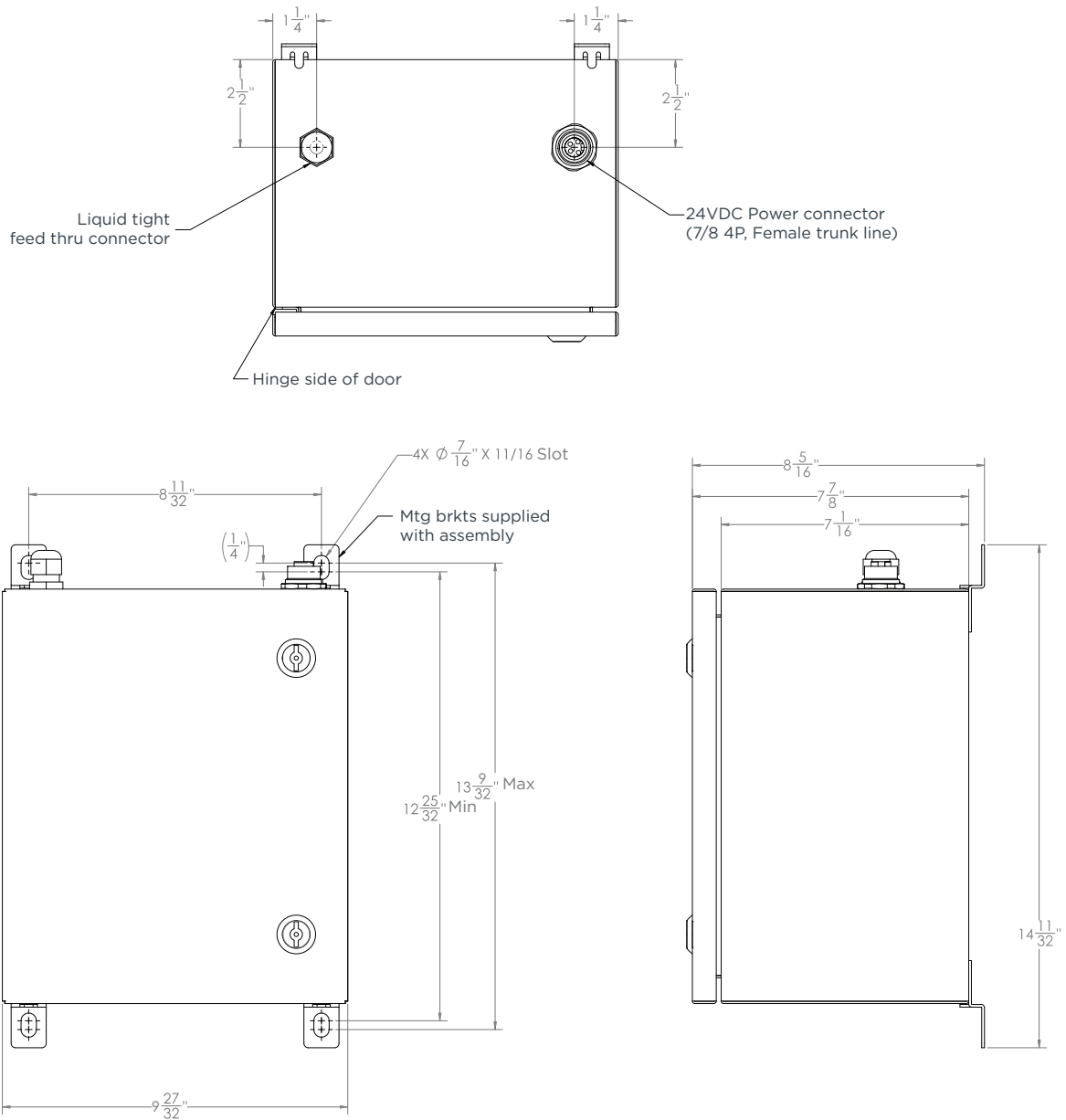
Input power	100–240 VAC (single-phase), 50/60 Hz
Output power (per an individual power connector)	<ul style="list-style-type: none"> Nominal Voltage - 24VDC Nominal Current - 4.0A
Enclosure material	18 gauge steel
Enclosure finish	ANSI 61 gray polyester powder paint
Mounting	Surface mount only
Agency Approvals	<ul style="list-style-type: none"> NEMA 4 rated enclosure Field listing is possible at user's expense

Project submittal information

JOB NAME:	NOTES:
JOB NUMBER:	

Power Injection Panel

Dimensions



Project submittal information

JOB NAME:	NOTES:
JOB NUMBER:	