

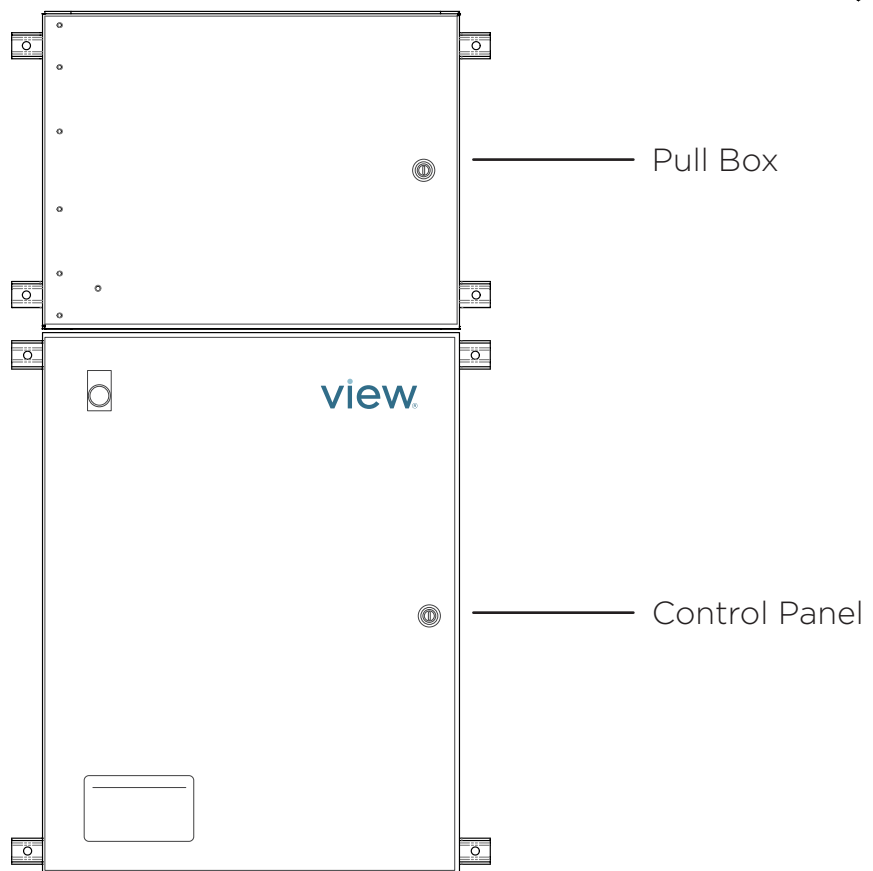
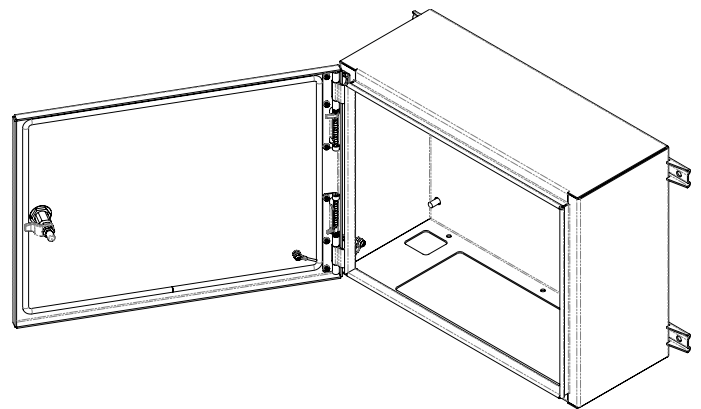
Pull Box

Product Description

The View Pull Box is a single-door wall-mounted enclosure that provides a protected connection area where cables from a View Control Panel enter a building's cable conduit system. This product is designed to attach to the top of a standard View Control Panel enclosure with matching dimensions to ensure perfect integration.

Features

- Provides protection on exposed cables and connection points out of the control panel enclosure
- Improves the attractiveness of the overall installation



Pull Box

Specifications

Housing Material	.100 thick 5052-H32 aluminum.
Finish	Clear Alodine/Paint Cardinal #WH-12 gloss white powder coat paint
Mounting	Surface mount only
Latching	Compression latch with slotted recess (option for tubular key)

Ordering Information

Part Number	010-101611
-------------	------------

Dimensions

