

Sliding IGU Cable Management System

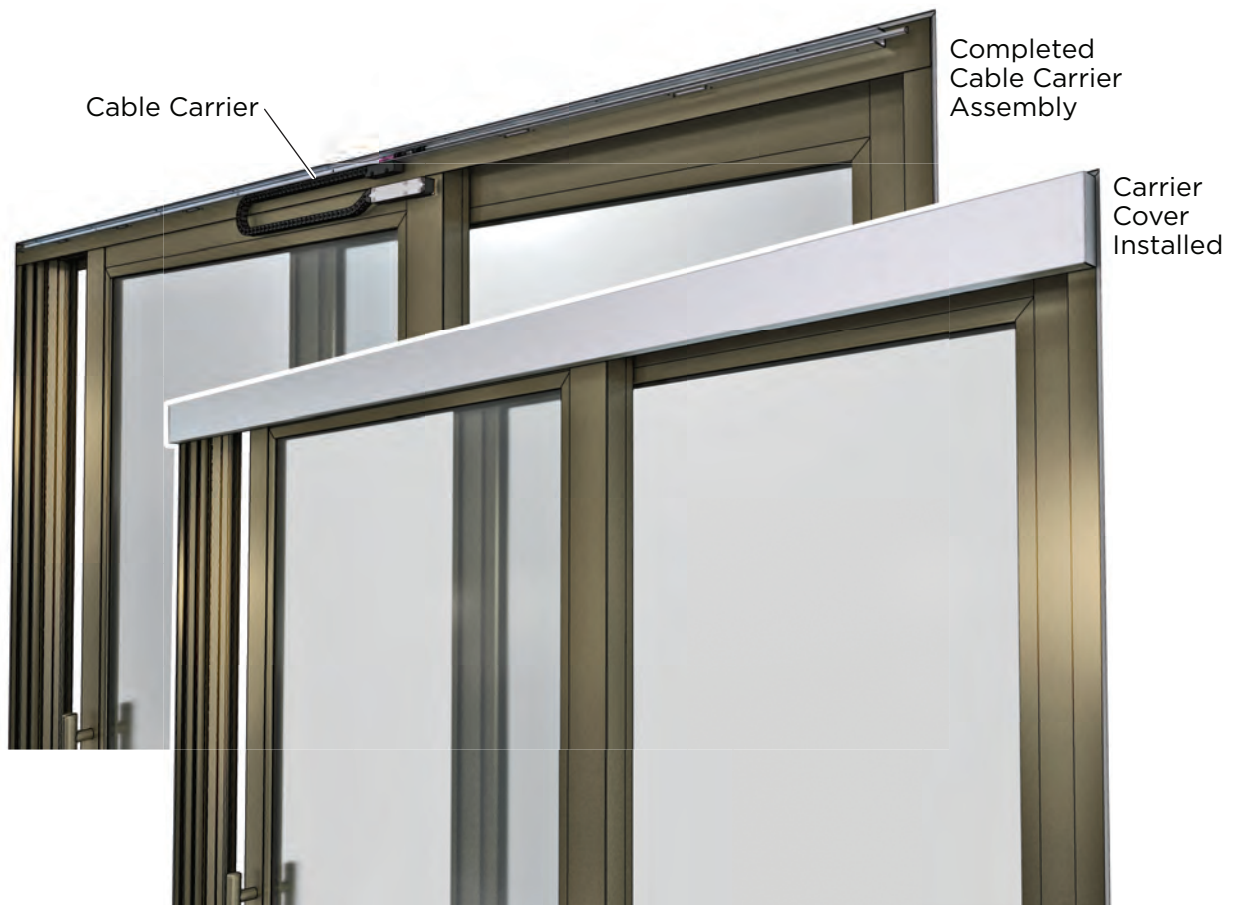
P/N 015-101390

Description

The Sliding IGU Cable Management System provides flexible connectivity for power and control to sliding door IGU installations that guides and protects movement of the IGU cable as the door is opened and closed. This is accomplished by using a cable carrier that is mounted, on one end, to a stile of the sliding door, and on the other, to a carrier base installed on the door frame head that provides the IGU cable connection to the Window Controller. A carrier cover is installed over the cable carrier and carrier base to complete the Cable Management System installation.

Features

- Flexible cable track casing allows repeated movement of the IGU cable in a sliding door application.
- All moving parts are shielded within the protective Carrier Cover to assure functional integrity.
- Durable design tested to 300,000 cycles.



Project submittal information

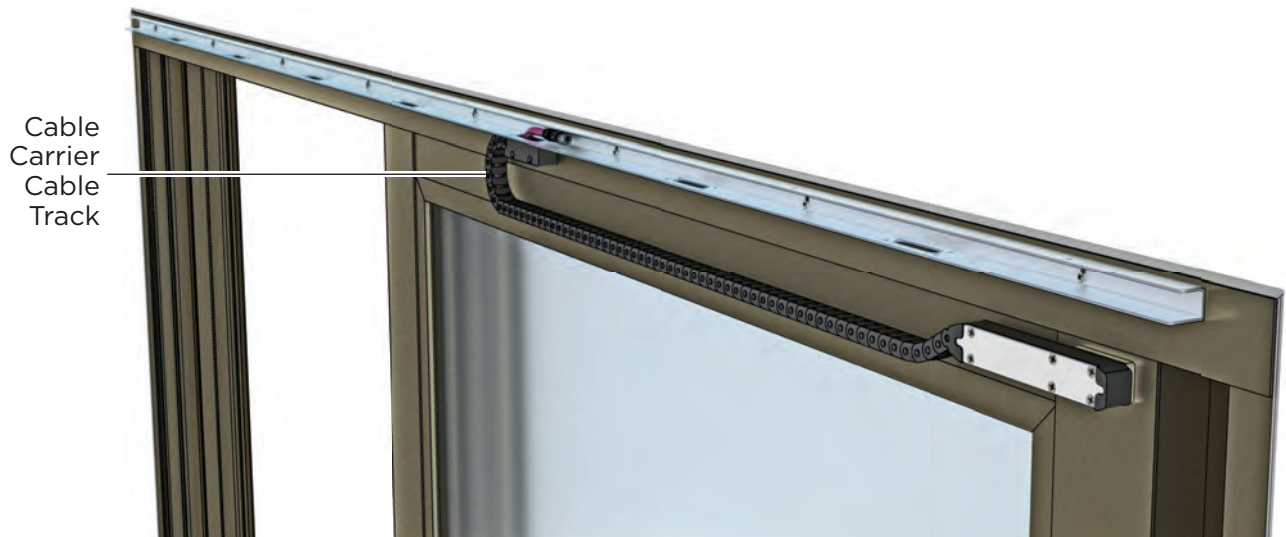
JOB NAME:	NOTES:
JOB NUMBER:	

Sliding IGU Cable Management System

P/N 015-101390

Operational Overview

The Carrier Cover is not included in the following illustrations to reveal operations of the Cable Carrier.



CABLE CARRIER (E) Cable Track in extended position with door open.



CABLE CARRIER (E) Cable Track in contracted position with door closed.

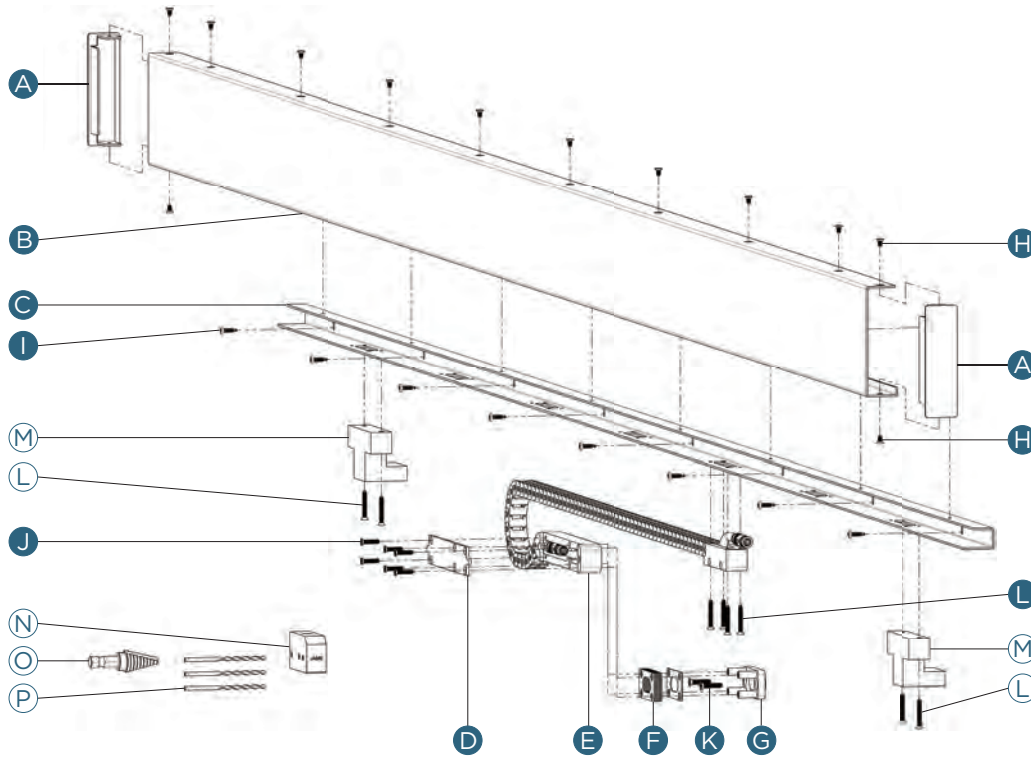
Project submittal information

JOB NAME:	NOTES:
JOB NUMBER:	

Sliding IGU Cable Management System

P/N 015-101390

Parts Diagram For XO/OX Configurations



Item	Qty	Part Number	Description
A	2	030-101093	Carrier Cover End Cap
B	1	030-101083	Carrier Cover
C	1	030-101084	Carrier Base
D	1	020-101146	Door Bracket Cover
E	1	010-101137	Cable Carrier
F	10	020-101142	Door Bracket Spacer
G	1	010-101140	Door Bracket Base
H	12	500-101118	Screw, Flat Head Phillips, Self-Tapping, 6-32 X 0.250
I	8	500-101119	Screw, Pan Head Phillips, Drill-Tap, 6-20 X 0.500
J	6	500-101115	Screw, Flat Head Phillips, Machine, 6-32 X 0.625

Item	Qty	Part Number	Description
K	2	500-101117	Screw, Flat Head Phillips, Self-Tapping, 8-32 X 0.750
L	4	500-101116	Screw, Flat Head Phillips, Self-Tapping, 6-32 X 1.000

Installation Kit Parts			
M	2	020-101148	Carrier Base Setup Guide
N	1	020-101147	Door Bracket Drill Guide
O	1	050-101218	Step Drill Bit, 1/4"-3/4"
P	3	050-101219	Drill Bit, #29 (0.136")
L	4	500-101116	Screw, Flat Head Phillips, Self-Tapping, 6-32 X 1.000

Project submittal information

JOB NAME:	NOTES:
JOB NUMBER:	

Sliding IGU Cable Management System

P/N 015-101390

Specifications

Installed Length	4 in.
Installed Depth	1-1/8 in. + Door Offset distance from mounting face to face of door
Door Offset	1/8 in. up to 3/4 in. (contact View if your application requires greater offset)
Width	Up to 96 in.
Material	Aluminum
Finish	Clear Anodized
Warranty	5 year warranty
Electrical	The Sliding IGU Cable Management System is a low voltage product and is only for use with View IGU cables and controllers manufactured by View Dynamic Glass. This product has an IP rated connector to transfer power and communication to and from the IGU.

Ordering Information

System Part Number	Door Configuration	Door Travel	Rough Opening
015-101390	XO/OX	Up to 46 in.	Up to 96 in.

Installation Kit Part Number	
015-101375	See Installation Kit Parts List, Page 3

For detailed installation instructions, please see the Sliding IGU Cable Management System Installation Guide (090-101001)

Project submittal information

JOB NAME:	NOTES:
JOB NUMBER:	