

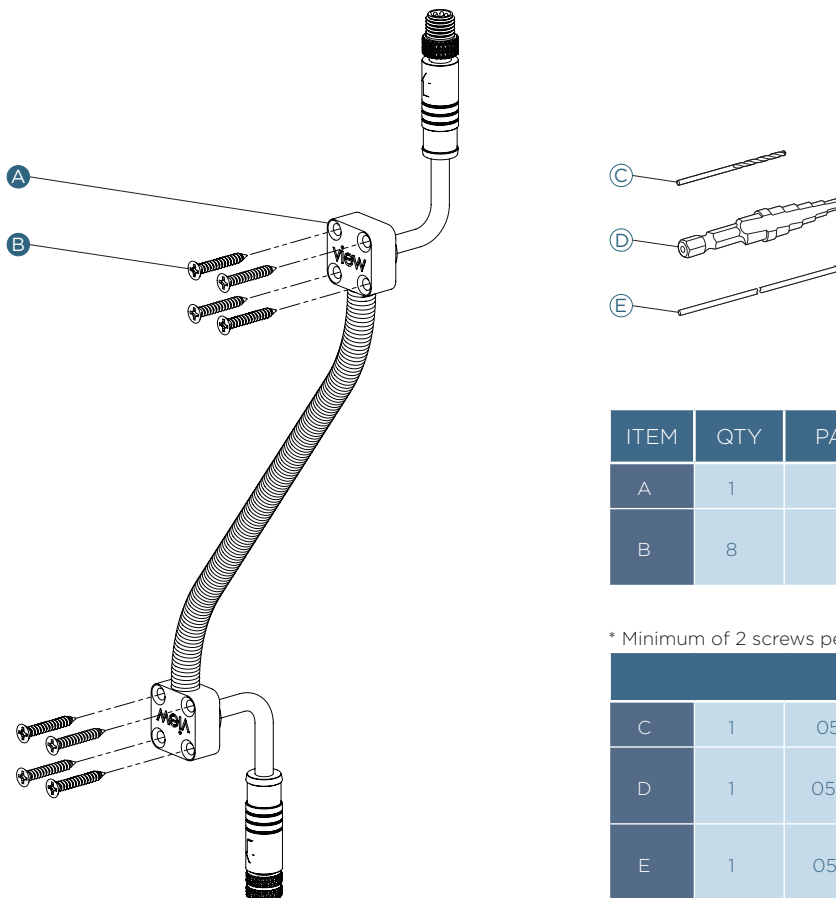
Spring Conduit Operable Kit

Product Description

The Spring Conduit solution provides power and control to an operable window with View Dynamic Glass. The IGU cable securely traverses between the window frame and IGU while accommodating various types of hinge movements. Examples of operable window applications include tilt and turn, awning and hopper-style windows. The Spring Conduit is installed on the hinged side of the window installation.

Features

- Simple installation in a compact form factor
- Metal spring conduit provides cable protection and movement flexibility
- Durable design - solution tested to 125,000 cycles



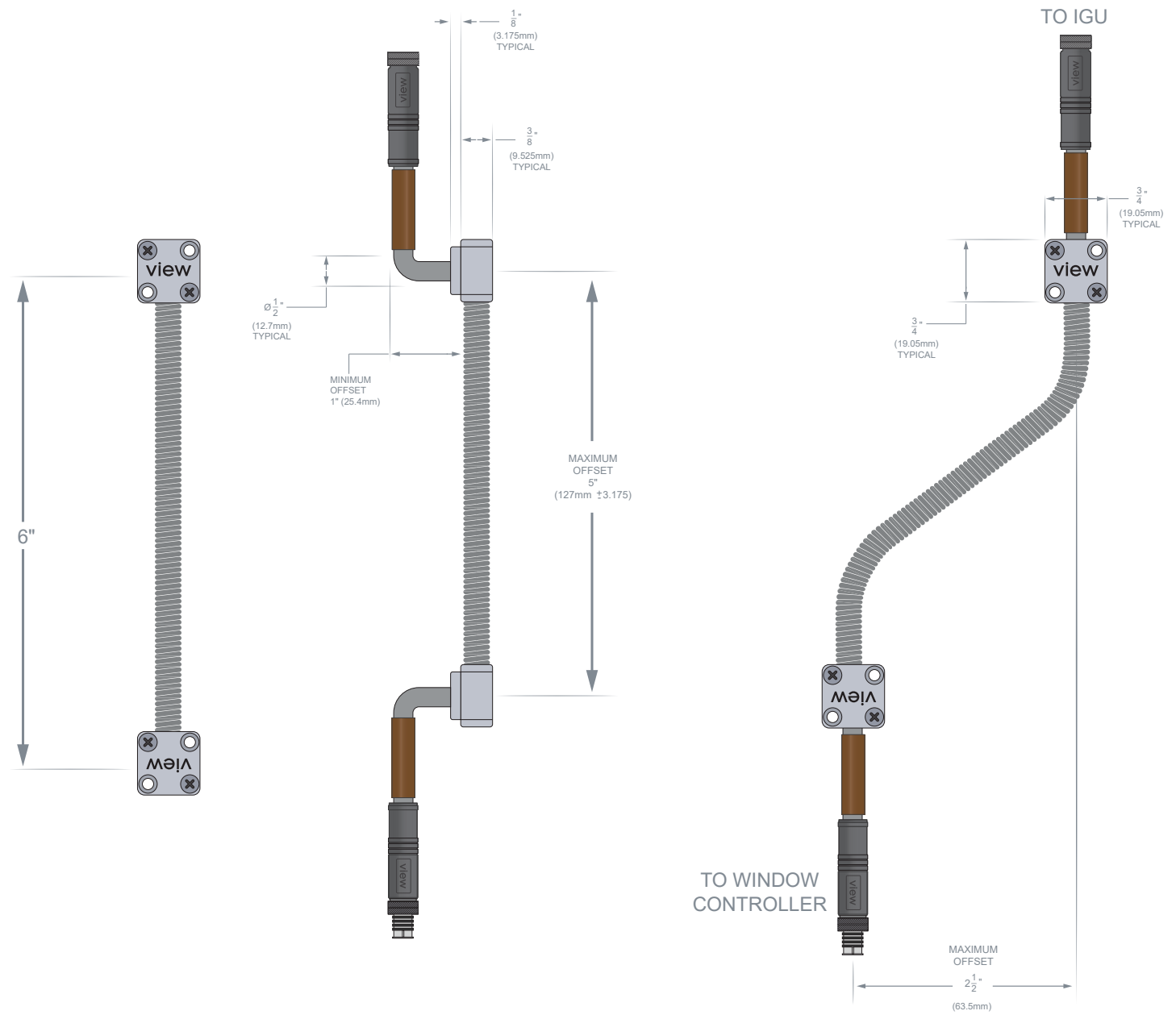
ITEM	QTY	PART NUMBER	DESCRIPTION
A	1	390-101511	SPRING CONDUIT
B	8	500-101116	SCREW, FLAT HEAD PHILLIPS, SELF TAPPING, 6-32 X 1.000*

* Minimum of 2 screws per conduit base required

INSTALLATION KIT PARTS			
C	1	050-101221	DRILL BIT, #52 (1/16")
D	1	050-101500	STEP DRILL BIT, 3/16"- 1/2"
E	1	050-101220	TRANSFER PUNCH, #29 (0.136")

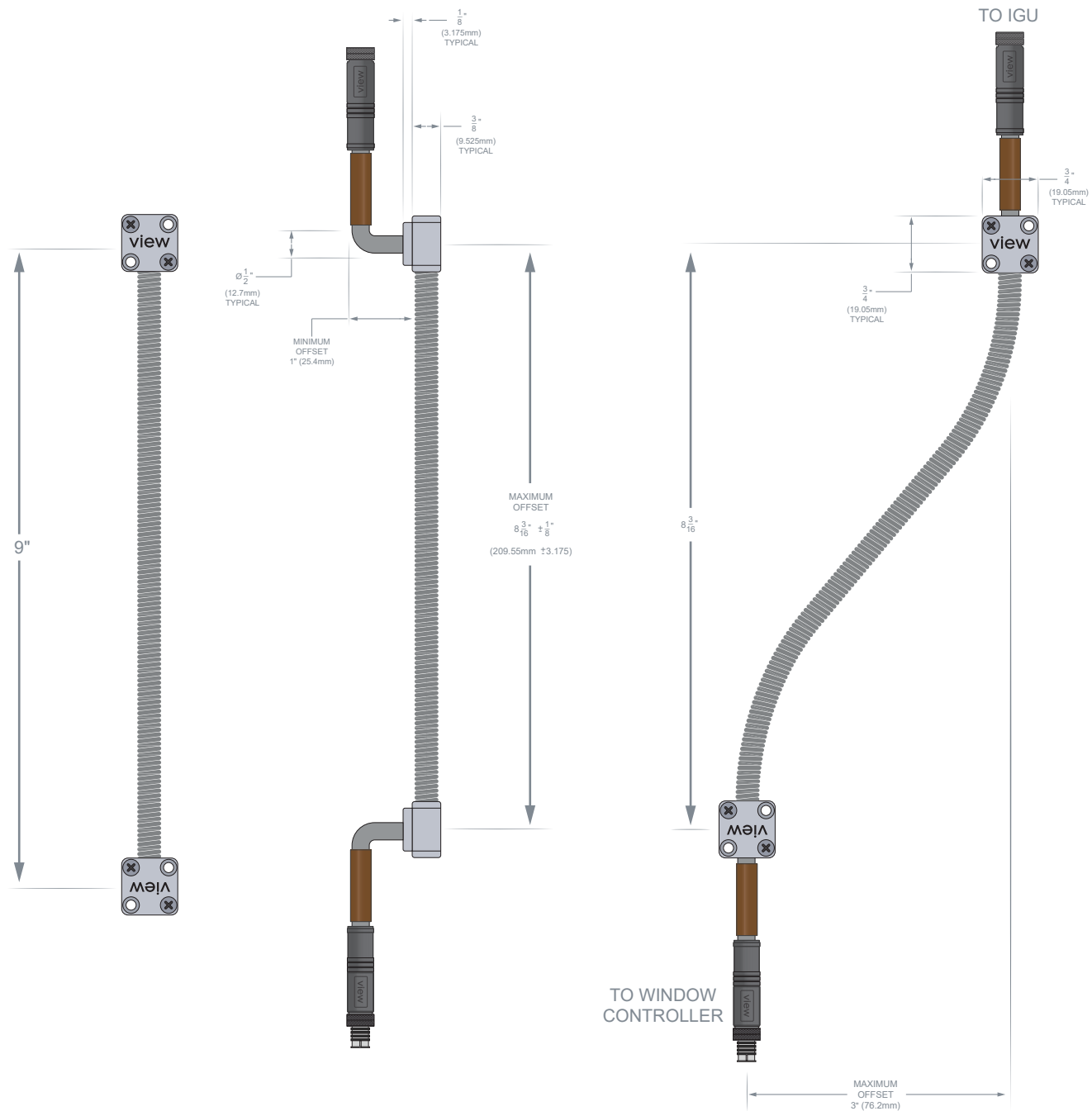
Spring Conduit Operable Kit

Dimensions - 6" Spring Conduit



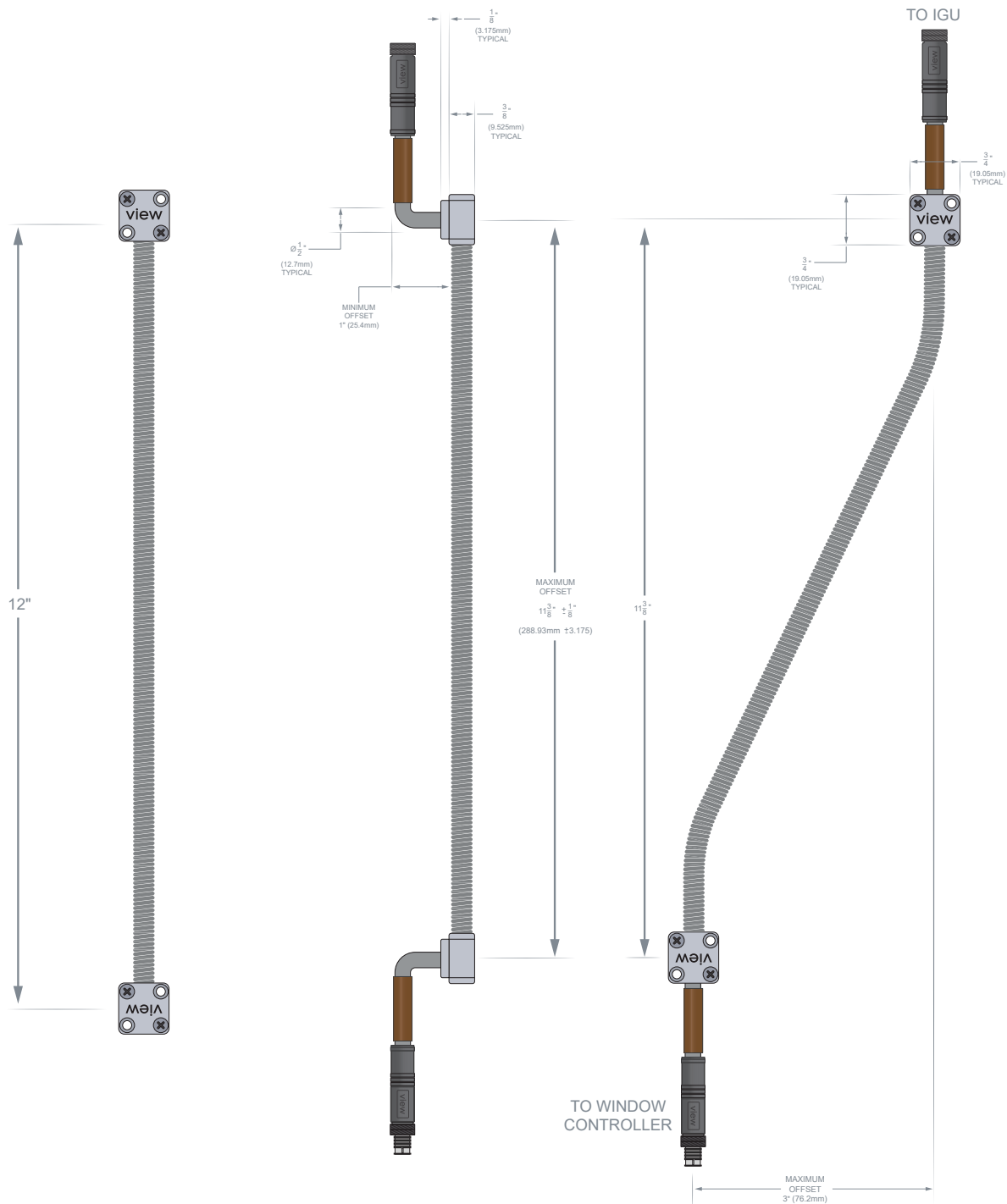
Spring Conduit Operable Kit

Dimensions - 9" Spring Conduit



Spring Conduit Operable Kit

Dimensions - 12" Spring Conduit



Spring Conduit Operable Kit

Specifications

Installed Length	6 1/4 ± 1/8 in. (for 6" model)
Installed Depth	3/8 in.
Window Depth	Minimum gap space of 3/8 in. between window jamb and window frame
Warranty	5 year warranty
Electrical	The Spring Conduit is a low voltage product and is only for use with View IGU cables and controllers manufactured by View Dynamic Glass. This product has IP rated connectors to transfer power and communication to and from the IGU.

Ordering Information

390-101511-01	6" Spring Conduit Assembly* - clear anodized finish
390-101511-02	6" Spring Conduit Assembly* - black anodized finish
390-101516-01	9" Spring Conduit Assembly* - clear anodized finish
390-101516-02	9" Spring Conduit Assembly* - black anodized finish
390-101515-01	12" Spring Conduit Assembly* - clear anodized finish
390-101515-02	12" Spring Conduit Assembly* - black anodized finish

* Includes integrated IGU cable and mounting screws for metal window frames

Installation Kit Part Numbers

015-101376	See installation Kit Parts List, Page 1
------------	---

For installation instructions, please see the Spring Conduit Installation Guide