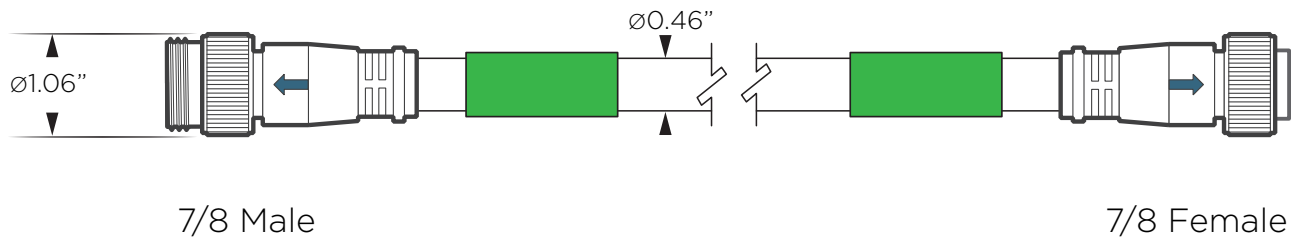


# Trunk Cable

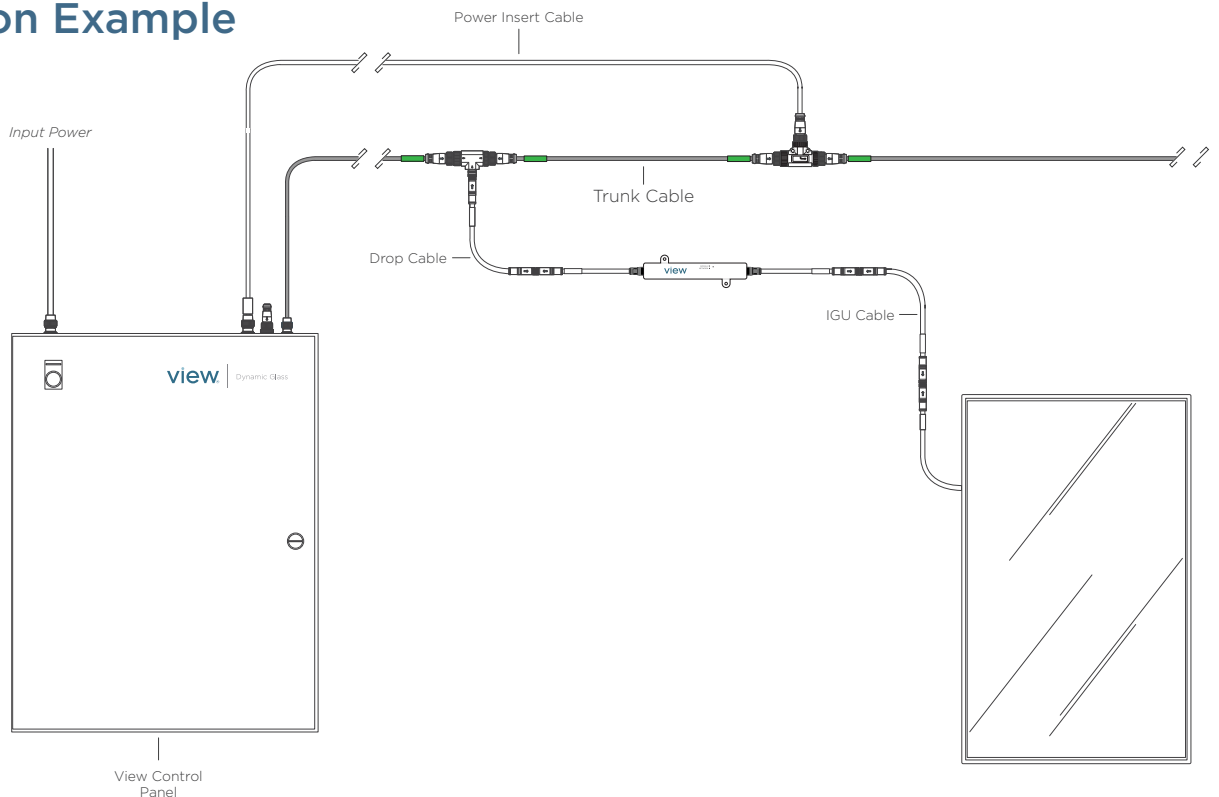
## Product Description

The trunk cable is the backbone of the View Dynamic Controls system, providing both power and communications through a single cable and distributing it to the rest of the system.

## Dimensions

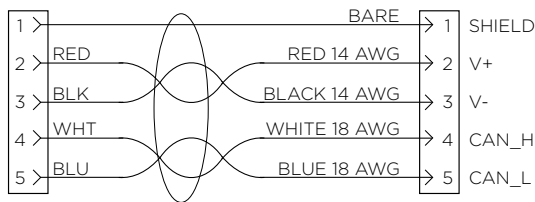


## Application Example

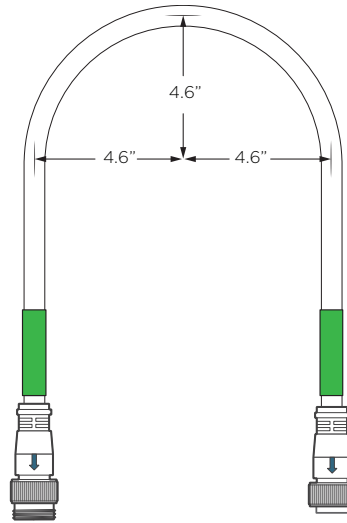


# Trunk Cable

## Wiring Diagram



## Bend Radius



LENGTH CHART		
XX	Length (in)	Length (m)
1	12	0.3
2	24	0.6
3	39	1.0
4	59	1.5
5	78	2.0
6	98	2.5
7	118	3.0
8	138	3.5
9	158	4.0
10	177	4.5
11	197	5.0
12	217	5.5
13	236	6.0
14	260	6.5
15	276	7.0
16	295	7.5
17	315	8.0
18	335	8.5
19	354	9.0
20	374	9.5
21	394	10
22	878	20
23	1181	30
24	1575	40
25	1967	50

## Ordering Information

Part Number	Description	(Replace XX with corresponding length (in feet/meter))
380-000057-XX	14 AWG Cables	
380-000038-XX	14 AWG Cables Plenum	

## Specifications

Housing Material	Thermoplastic polyurethane (TPU)
Max Current	9A
Max Voltage	300V
Bend Radius	4.6" minimum bend radius is ten times the cable diameter.
Cable Rating	All cables are IP67 rated. Communications, Plenum cable (CMP) rated cables are available.
Warranty	All cables and components carry a warranty for a period of 5 years from date of delivery by View. Refer to standard warranty terms and conditions for more details.
Jacket	Plenum - PVC (Grade CMP) Non-Plenum - PVC
Rated Temperature (C°)	Plenum - -20°C to -75°C Non-Plenum- -20°C to 80°C
Used in conjunction with	Trunk Tee Connector, Trunk WYE Connector and Trunk Terminator
Routing locations	Above ceiling grids, within interstitials, within spandrel locations, within drywall spaces and within framing channels.