

# Trunk Connectors

## Product Description

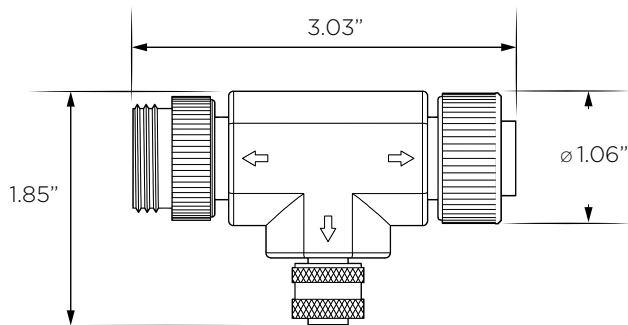
Trunk connectors are used to connect other cables and components

### Warranty

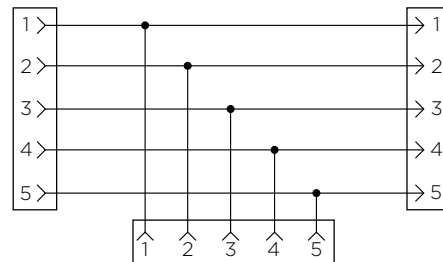
All cables and components carry a warranty for a period of 5 years from date of delivery by View. Refer to standard warranty terms and conditions for more details.

## Trunk Tee Connector

### Dimensions



### Wiring Diagram



### Specifications

Max Current	8/4A
Max Voltage	250V

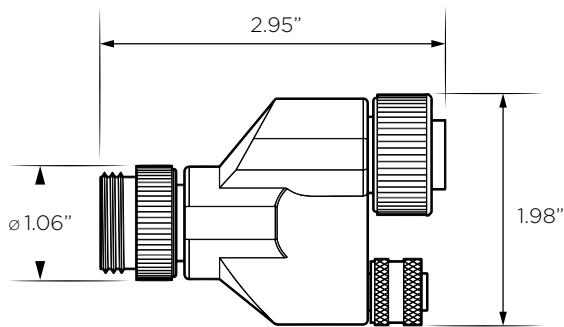
### Ordering Information

Part Number	Description
370-000002	Trunk Cable Tee Connector

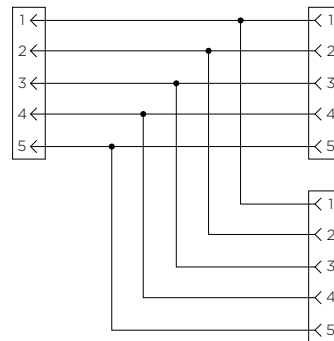
# Trunk Connectors

## Trunk WYE-M Connector

### Dimensions



### Wiring Diagram



### Specifications

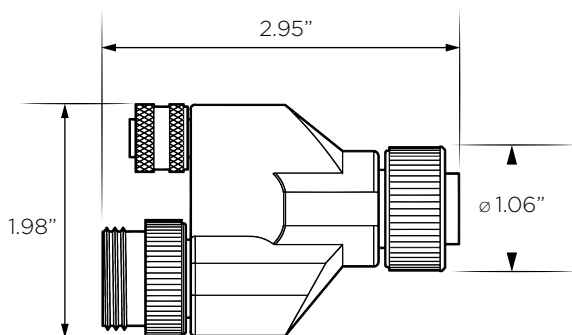
Max Current	8/4A
Max Voltage	300V

### Ordering Information

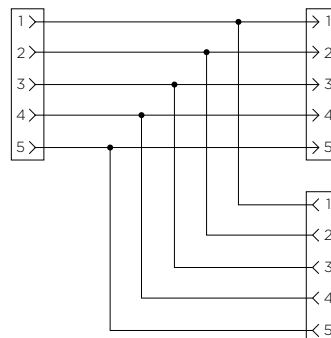
Part Number	Description
370-000022	Trunk Cable WYE-M Connector

## Trunk WYE-F Connector

### Dimensions



### Wiring Diagram



### Specifications

Max Current	8/4A
Max Voltage	300V

### Ordering Information

Part Number	Description
370-000021	Trunk Cable WYE-F Connector