

Window controller data sheet

Product Description

The window controller (WC) is responsible for facilitating power transmission to each IGU. It provides the signal to the dynamic glass unit allowing it to change tint states.

Features

- Low voltage <5V output
- Fault indication
- Upgradable firmware
- Compact size
- All connections pre-terminated for easy hook-up and installation
- Complete ingress protection with IP67

Applications

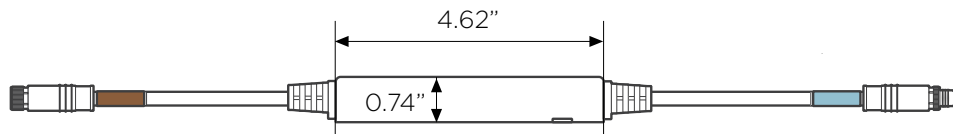
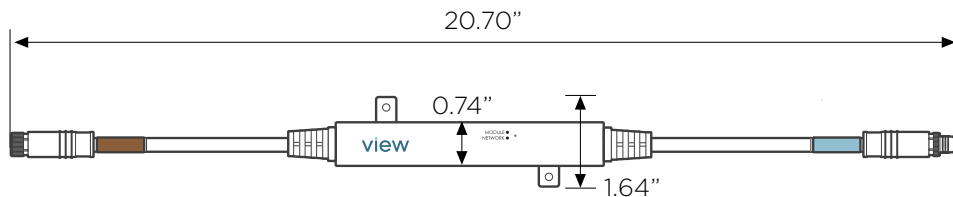
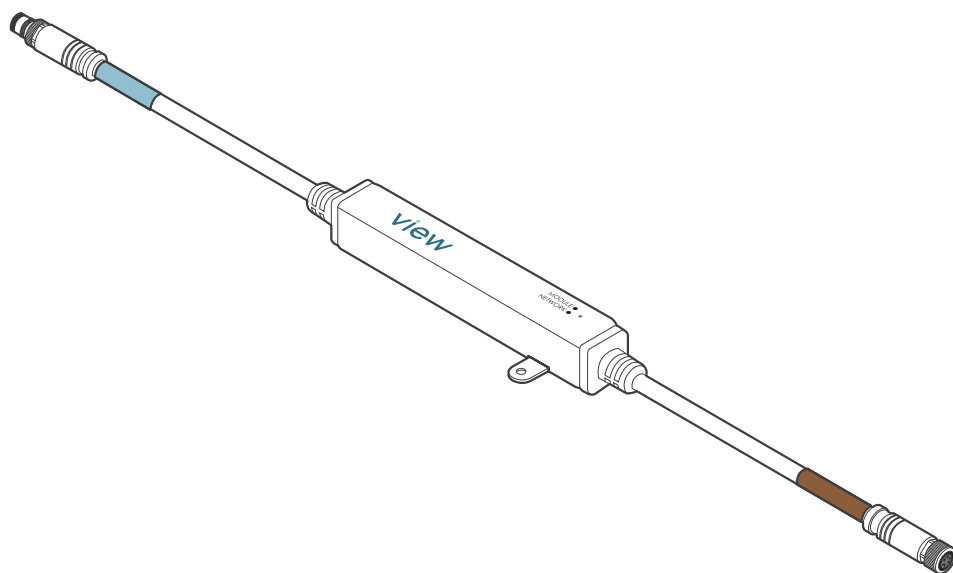
- Scalable from single skylights to fully automated commercial buildings

Installation

- The window controller should be installed in an interior, accessible and climate-controlled location
- Fits within a typical 2" framing system, ceiling, utility closet or custom enclosure and operates in any orientation
- Estimated < 5 minutes to install, including mounting and wiring hookup

Warranty

The View window controller carries a warranty for a period of 5 years. Refer to standard warranty terms and conditions for more details.



Window controller specifications

POWER	
PEAK POWER	12 W
INPUT VOLTAGE	10-30 VDC
MAX INPUT CURRENT	1 A
TYPICAL POWER	2 W
TYPICAL INPUT VOLTAGE	24 VDC
TYPICAL INPUT CURRENT	119 mA

INPUTS / OUTPUTS	
NETWORK	8MM, MALE, 5 PIN
IGU	8MM, FEMALE, 5 PIN

PHYSICAL	
DIMENSIONS	20.7" x 0.74" x 0.74"
WEIGHT	2.9 OZ (83G)

ENVIRONMENTAL	
OPERATING TEMPERATURE	-20°C (-4°F) TO 60°C (140°F)
STORAGE TEMPERATURE	-40°C (-40°F) TO 120°C (250°F)
RELATIVE HUMIDITY	0 TO 90% NON-CONDENSING
INGRESS PROTECTION	IP67

CODES AND STANDARDS	
COMPLIES WITH FCC PART 15 SUBPART B	
CONFORMS TO NEC ARTICLE 725.21 (B) CLASS 1 POWER LIMITED CIRCUITS OR ARTICLE 725.41 (A) CLASS 2	

ORDERING INFORMATION	
PART NUMBER	010-101584
FIND NUMBER	WC-B

