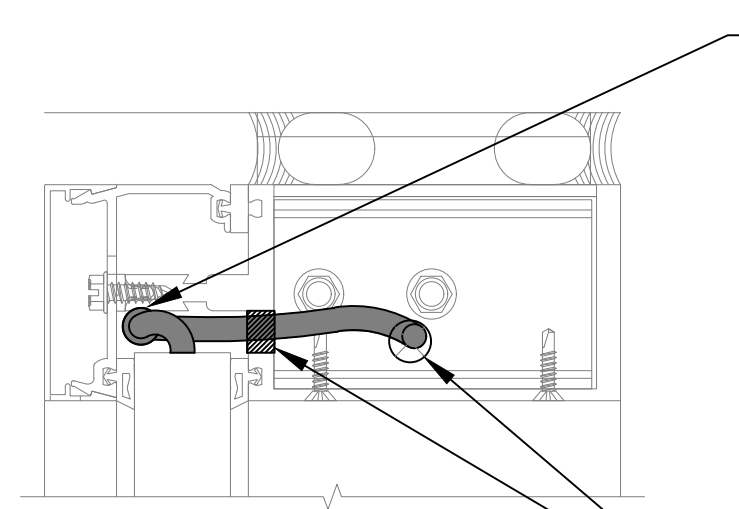


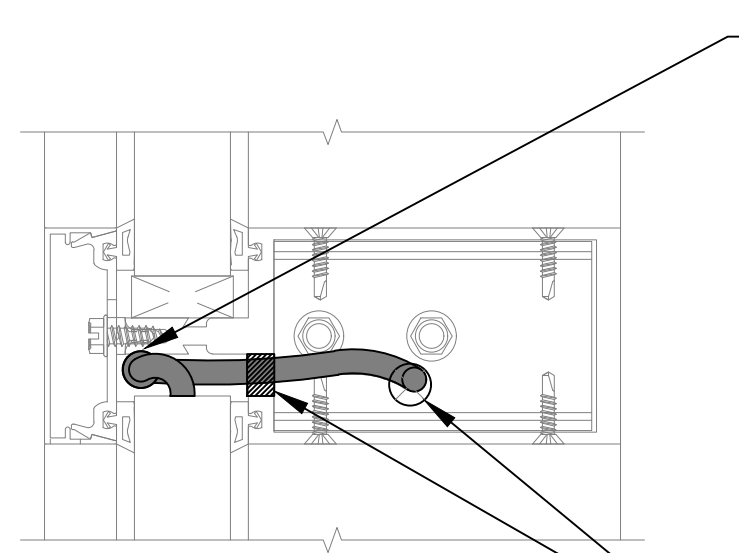
- NOTES:
1. INSTALLER TO PROVIDE GROMMETS AT ALL FRAME PENETRATIONS WHERE POSSIBLE TO AVOID CABLE DAMAGE.
 2. INSTALLER TO LABEL IGU CABLES WITH IGU NAME TO WHICH IT IS CONNECTED.
 3. WHEN GLAZING POCKET CANNOT ACCOMMODATE IGU/SWC, INCORPORATE SERVICE LOOP INTO IGU CABLING. MAKE CONNECTION TO SWC AS YOU ARE GLAZING AND PUSH CONNECTOR THROUGH HOLE AND INTO MULLION.
 4. NO WIRE ROUTING IN SILL.



IGU CABLE CONNECTION TO IGU SWC IN GLASS POCKET

MIN. 7/16" DIA. HOLE FOR IGU CABLE TO FILE ALL EDGES SMOOTH. INSTALL SILICONE GROMMET, BACKFILL WITH SILICONE SEALANT.

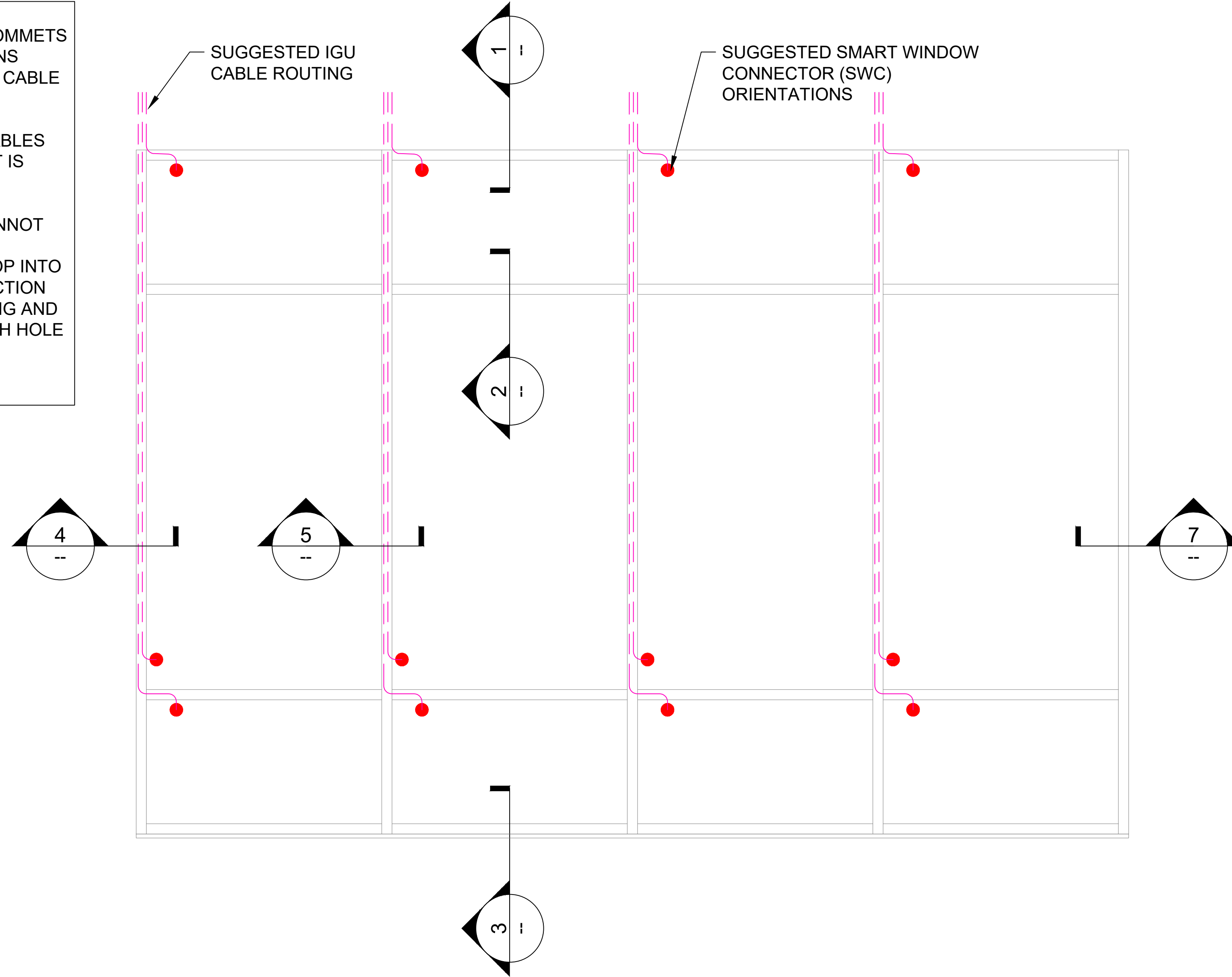
DETAIL 1
HEAD



IGU CABLE CONNECTION TO IGU SWC IN GLASS POCKET

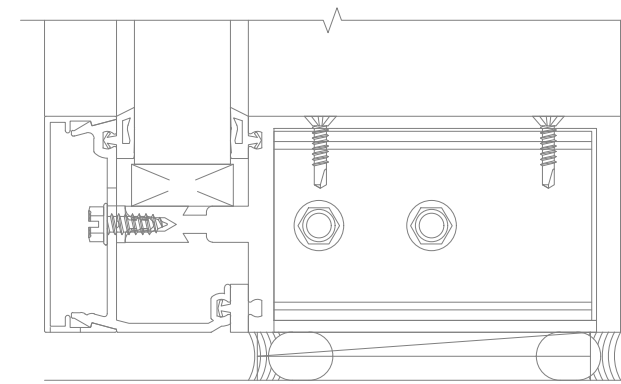
MIN. 7/16" DIA. HOLE FOR IGU CABLE TO FILE ALL EDGES SMOOTH. INSTALL SILICONE GROMMET, BACKFILL WITH SILICONE SEALANT.

DETAIL 2
HORIZONTAL MULLION



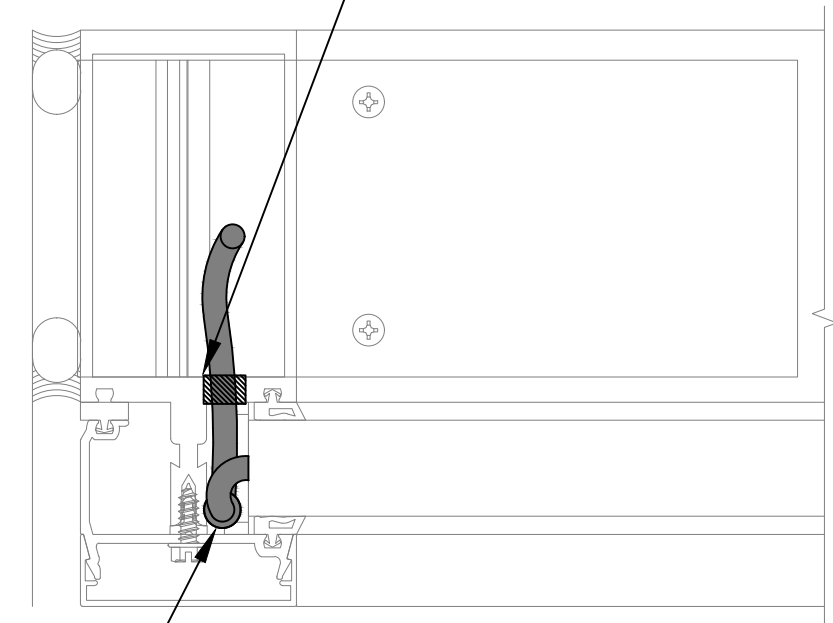
TYPICAL ELEVATION
SCALE: NONE

NO CABLE ROUTING IN SILL



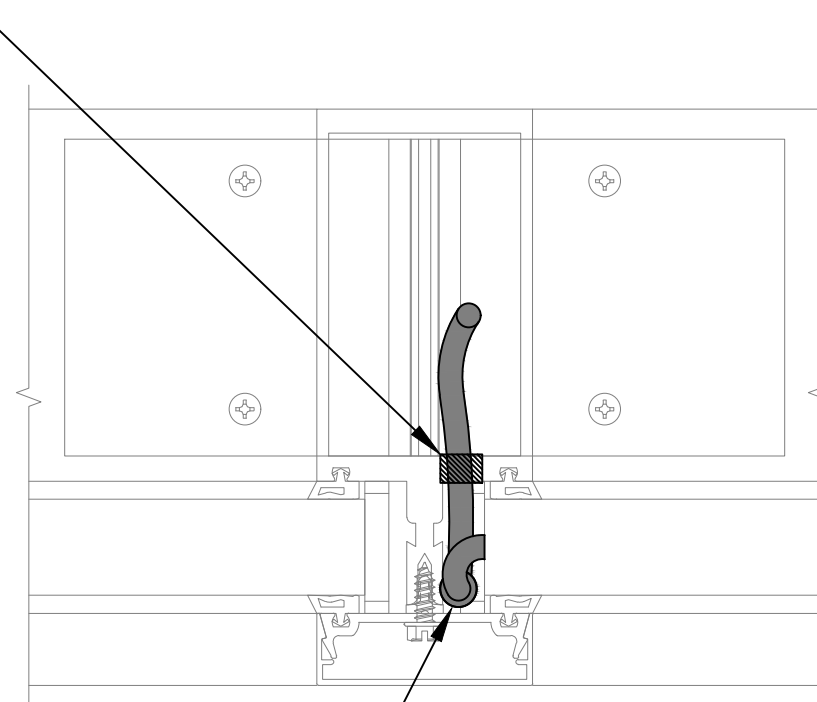
DETAIL 3
SILL

MIN. 7/16" DIA. HOLE FOR IGU CABLE TO FILE ALL EDGES SMOOTH. INSTALL SILICONE GROMMET, BACKFILL WITH SILICONE SEALANT.



IGU CABLE CONNECTION TO IGU SWC IN GLASS POCKET

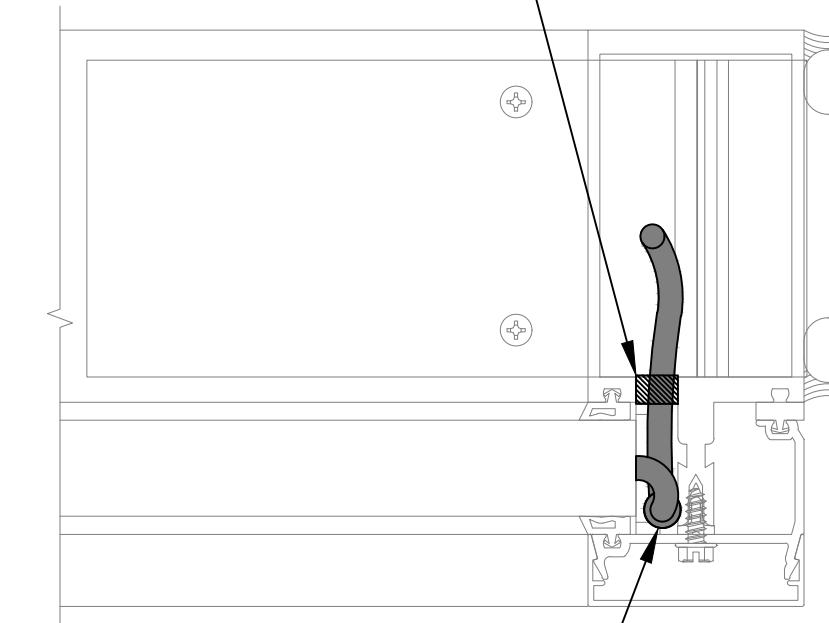
DETAIL 4
LEFT JAMB



IGU CABLE CONNECTION TO IGU SWC IN GLASS POCKET

DETAIL 5
VERTICAL MULLION

MIN. 7/16" DIA. HOLE FOR IGU CABLE TO FILE ALL EDGES SMOOTH. INSTALL SILICONE GROMMET, BACKFILL WITH SILICONE SEALANT.



IGU CABLE CONNECTION TO SWC IN GLASS POCKET

DETAIL 7
RIGHT JAMB

1 INSTALLATION DETAILS: FOR EFCO - 5600-OG-2 (CW)