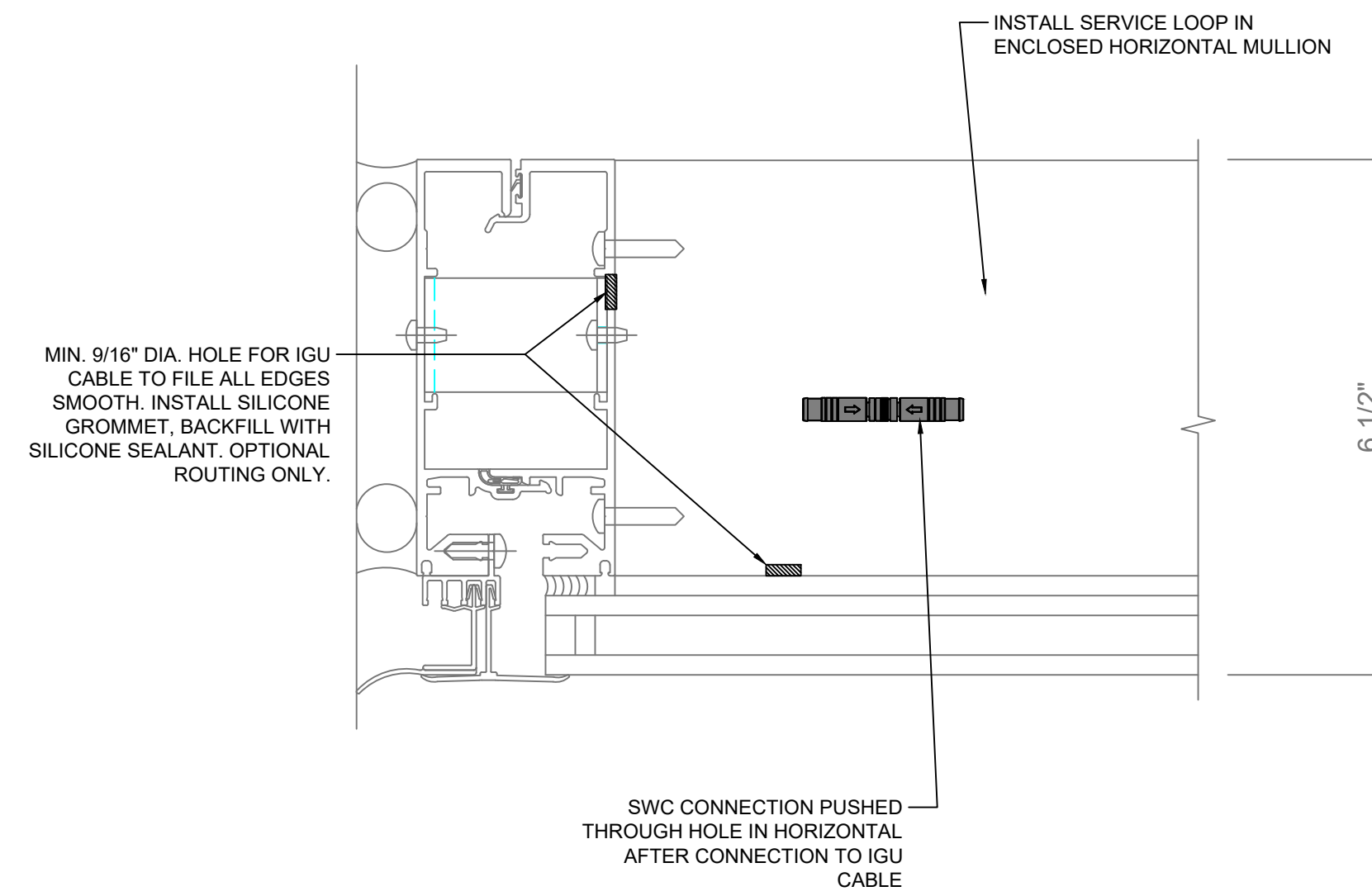
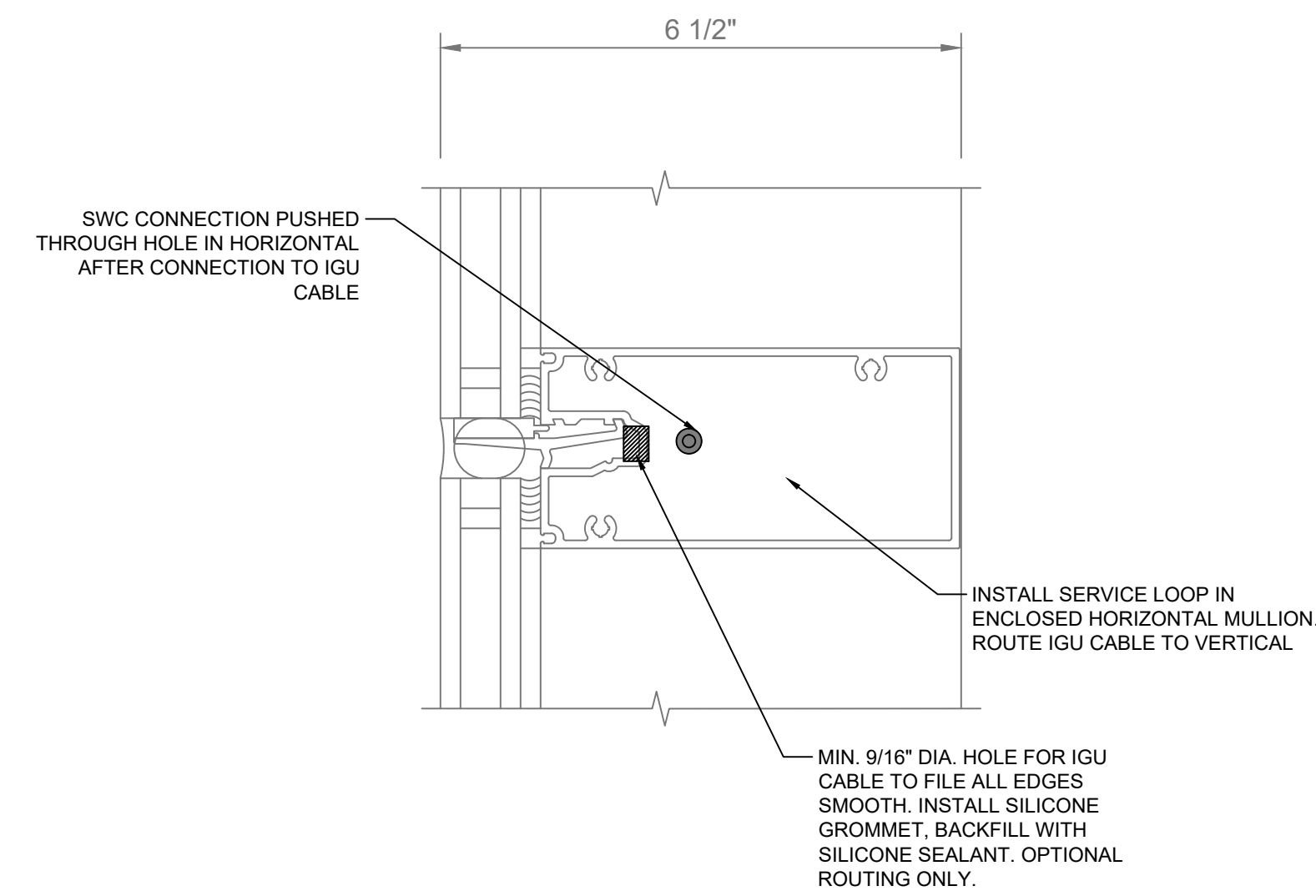


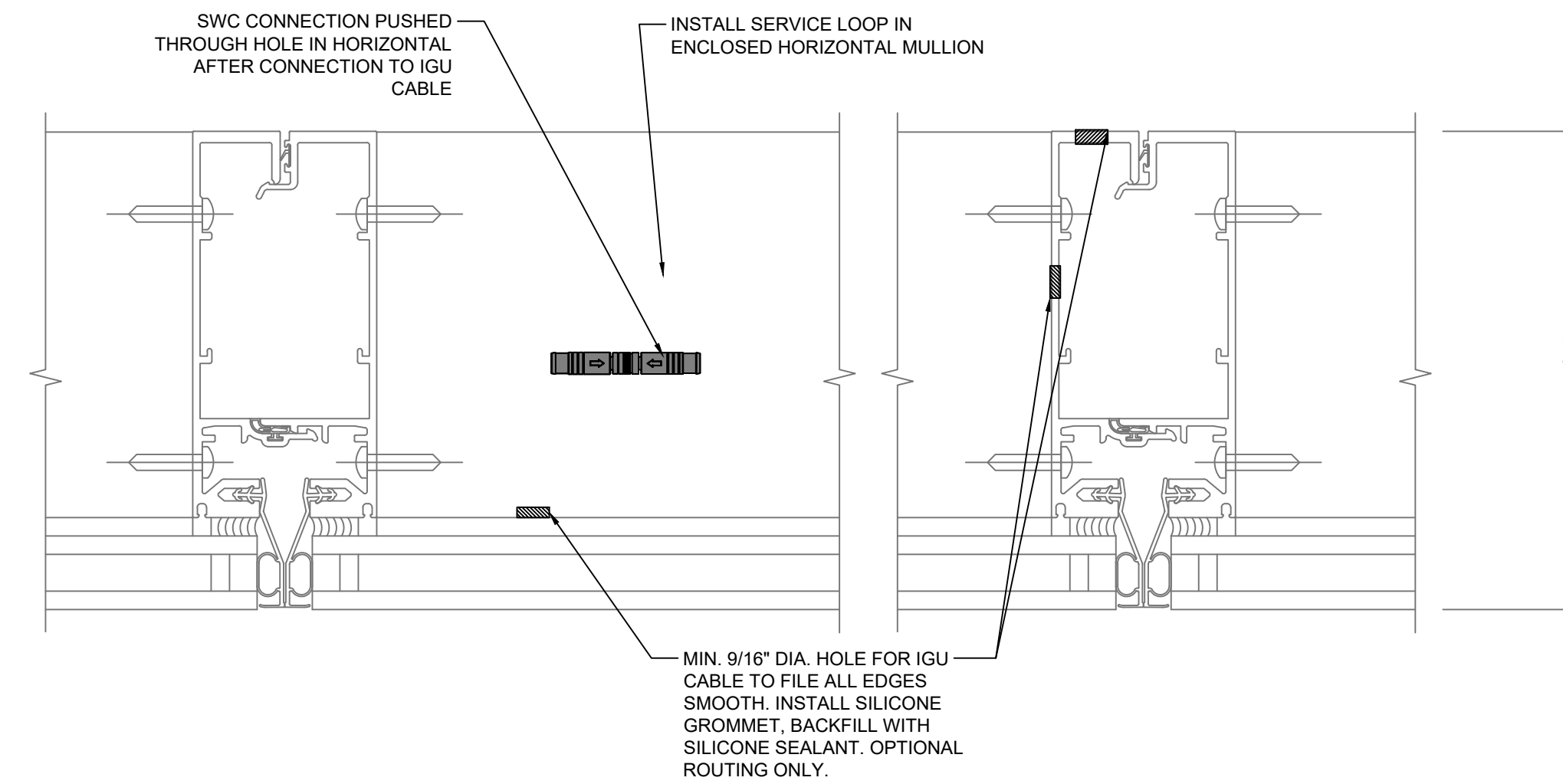
1 - HEAD DETAIL
6"=1'-0"



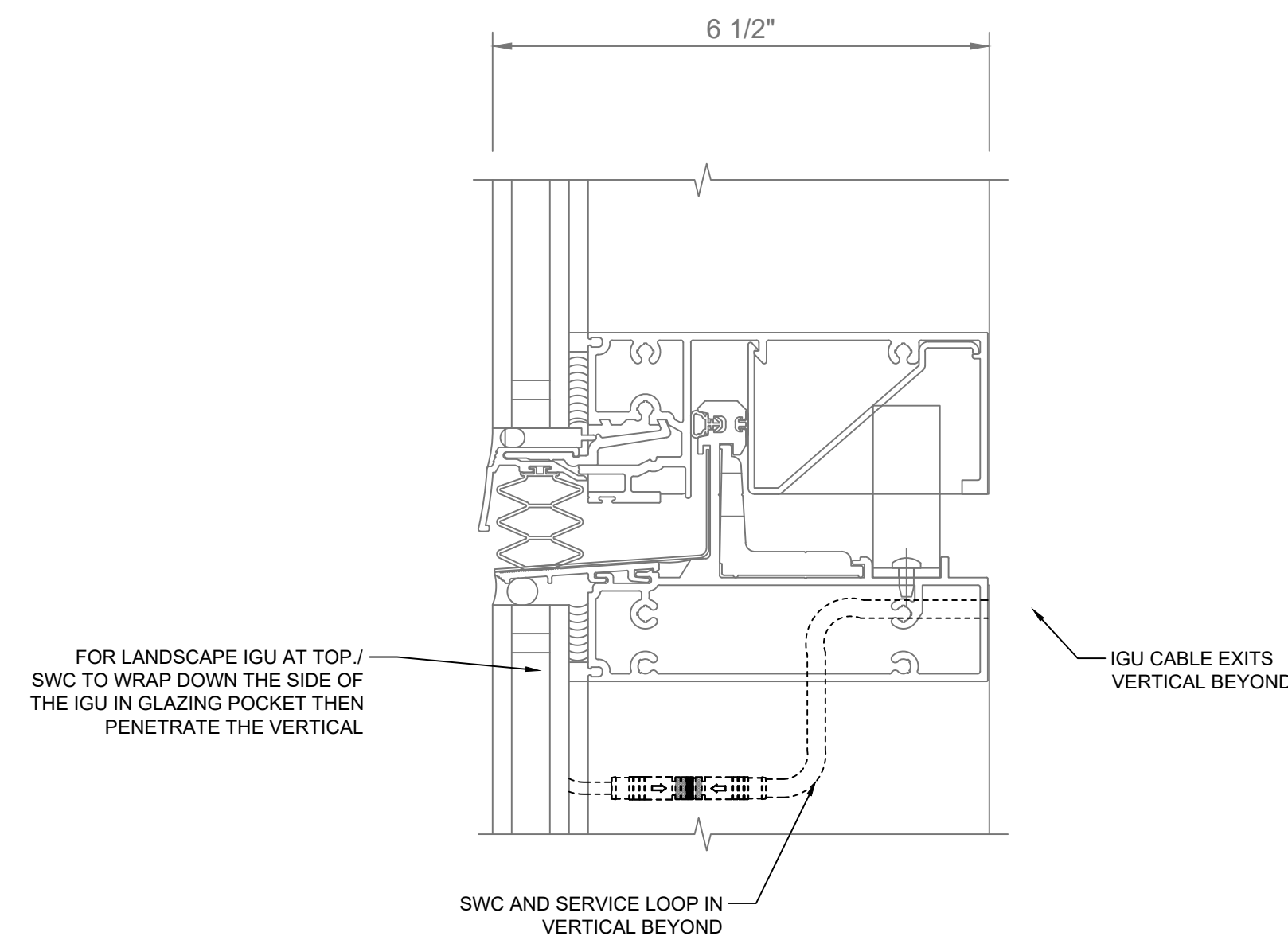
4 - TYPICAL JAMB DETAIL
6"=1'-0"



2 - TYPICAL HORIZONTAL DETAIL - PORTRAIT IGU
6"=1'-0"

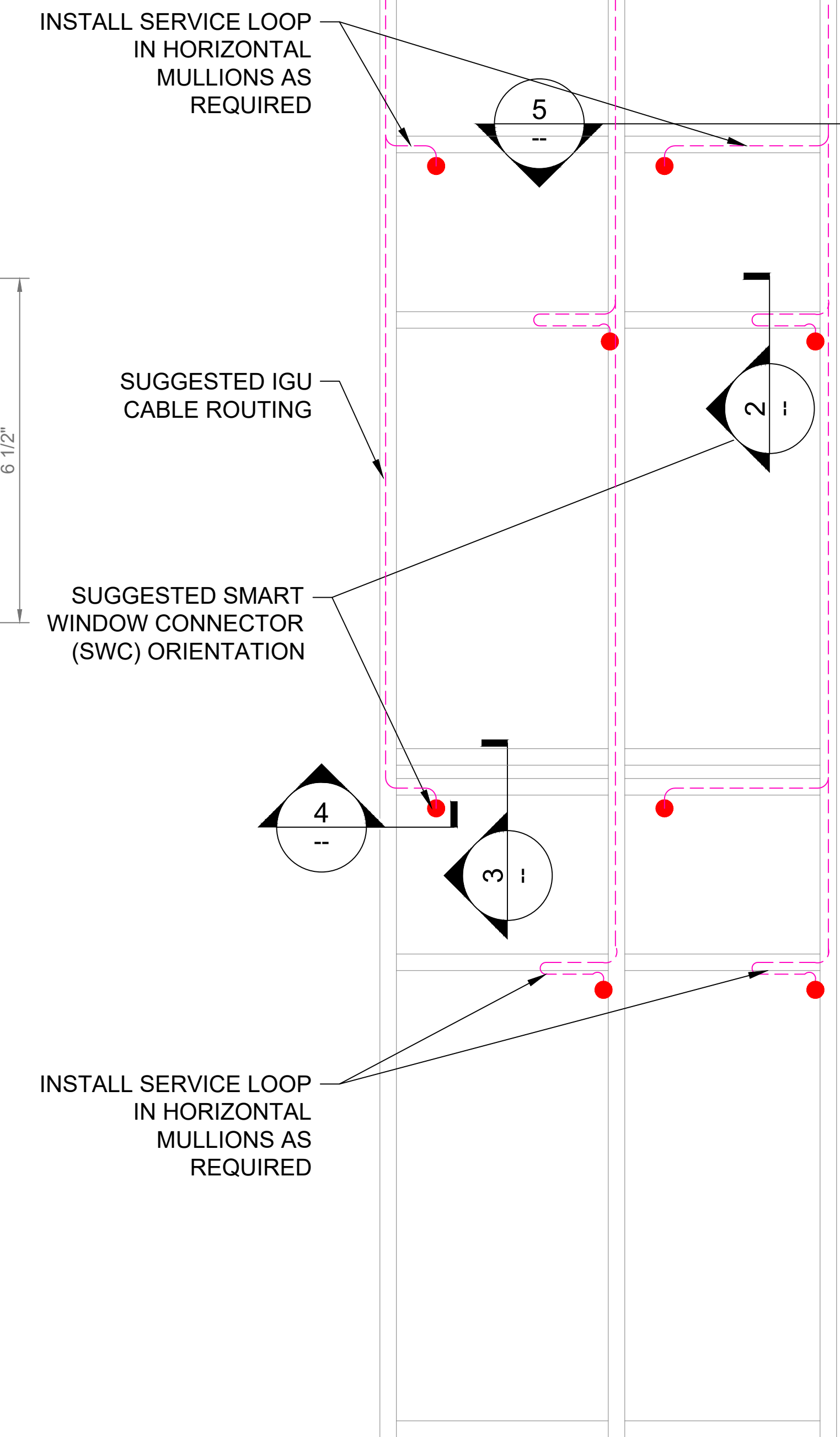


5 - TYPICAL VERTICAL DETAIL
6"=1'-0"



3 - TYPICAL STACK JOINT DETAIL
6"=1'-0"

- NOTES:**
1. INSTALLER TO PROVIDE GROMMETS AT ALL FRAME PENETRATIONS WHERE POSSIBLE TO AVOID CABLE DAMAGE.
 2. INSTALLER TO LABEL IGU CABLES WITH IGU NAME TO WHICH IT IS CONNECTED.
 3. WHEN GLAZING POCKET CANNOT ACCOMMODATE IGU CONNECTOR, INCORPORATE SERVICE LOOP INTO IGU CABLING. MAKE CONNECTION TO SWC AS YOU ARE GLAZING AND PUSH CONNECTOR THROUGH HOLE AND INTO MULLION.
 4. WHEN ROUTING CABLE TO SILL TAKE NOTE TO AVOID WEEPS AND SETTING BLOCKS.



TYPICAL ELEVATION
SCALE: NONE

REVISIONS		
NO.	DESCRIPTION	DATE
01	PRELIMINARY	00-00-16

DATE ISSUED: 09/30/2020
REVIEWED BY: ##/##
DRAWN BY: HK-KCS
DESIGNED BY: ##
VIEW PROJECT NUMBER | REVISION

© 2016 VIEW INC.
SHEET TITLE

**KAWNEER UT2500
CURTAIN WALL
INTEGRATION
DETAILS**

SHEET NUMBER

VIEW INC. CONFIDENTIAL: THIS DOCUMENT AND THE INFORMATION CONTAINED IN IT ARE CONFIDENTIAL AND CANNOT BE COPIED OR DISCLOSED IN WHOLE OR IN PART WITHOUT THE EXPRESS WRITTEN CONSENT OF VIEW, INC.®