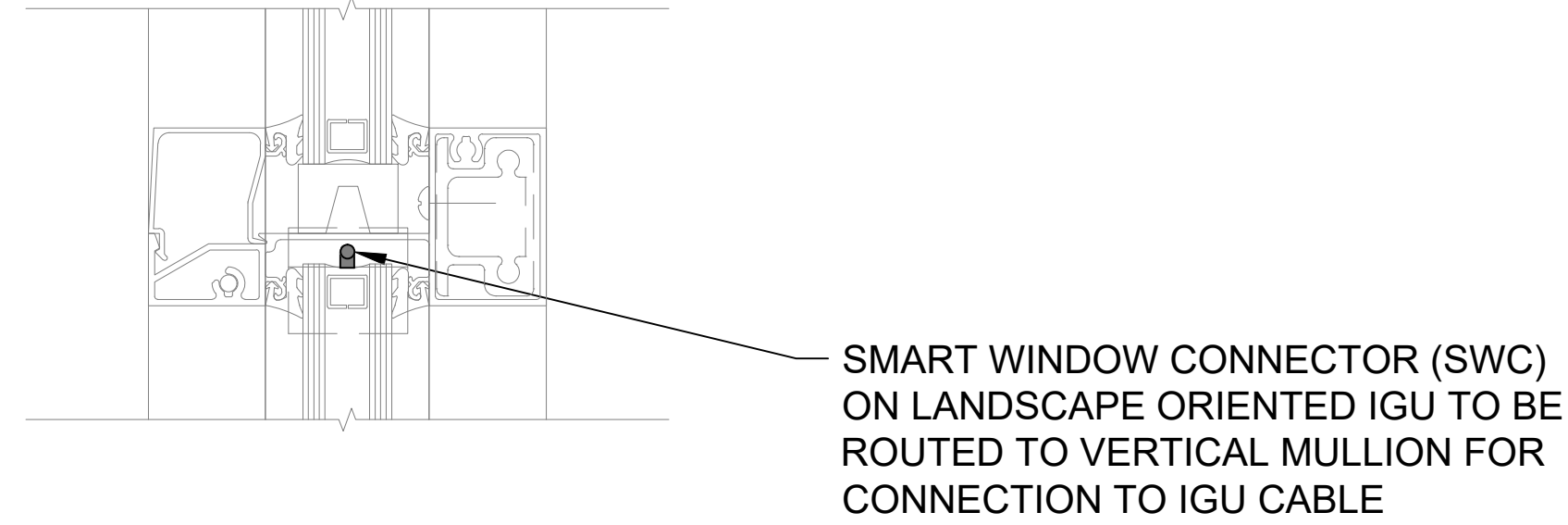
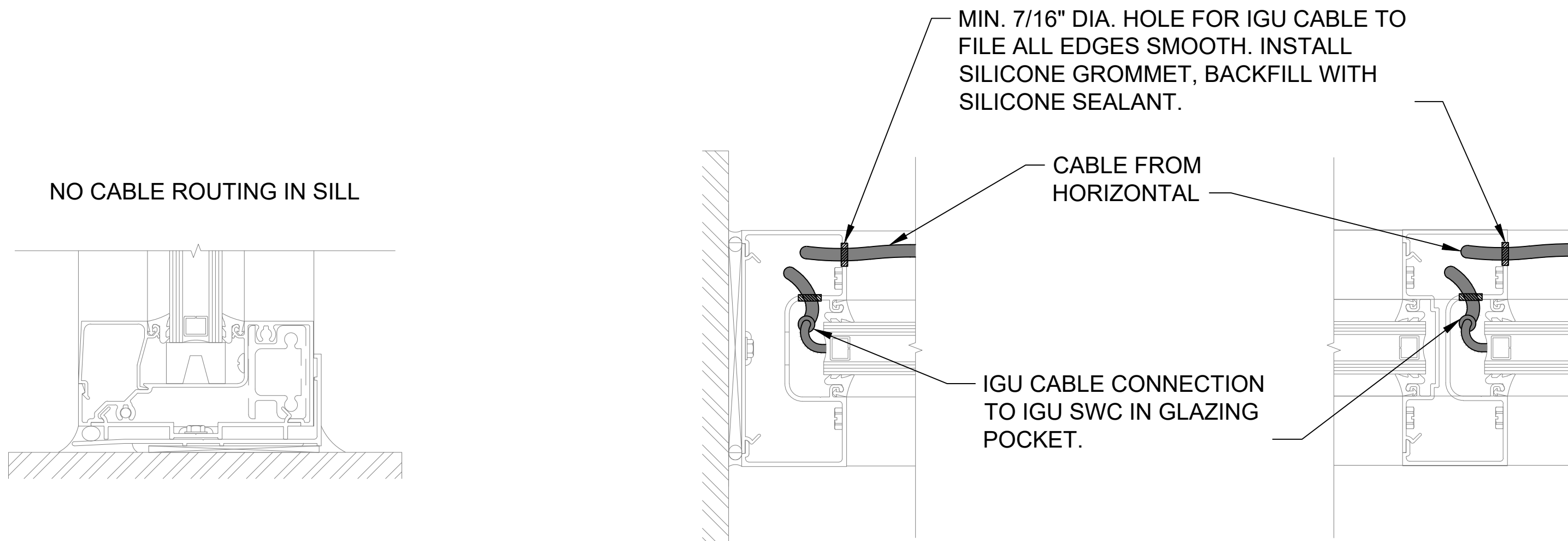


DETAIL 1  
HEAD



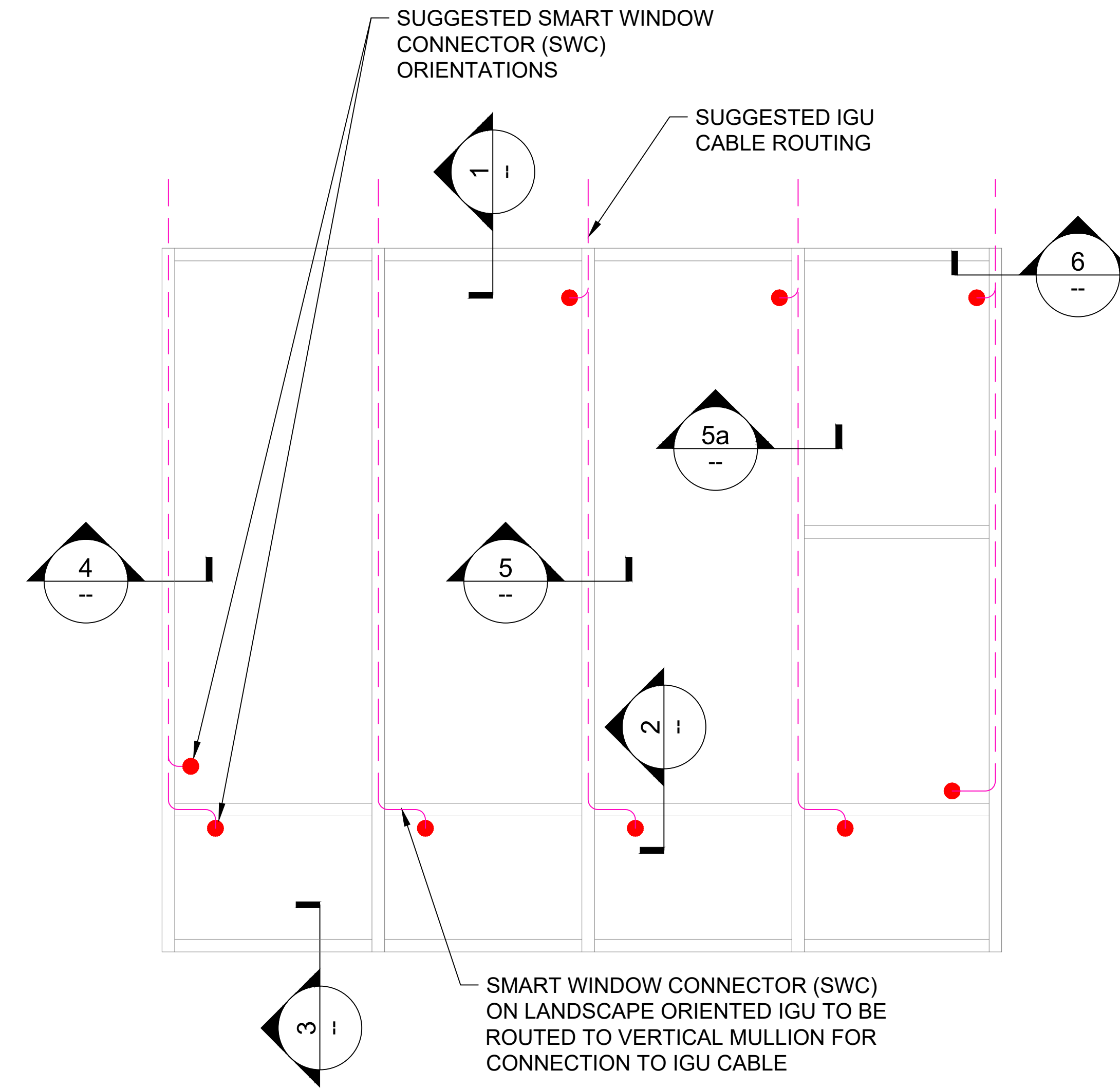
DETAIL 2  
HORIZONTAL MULLION



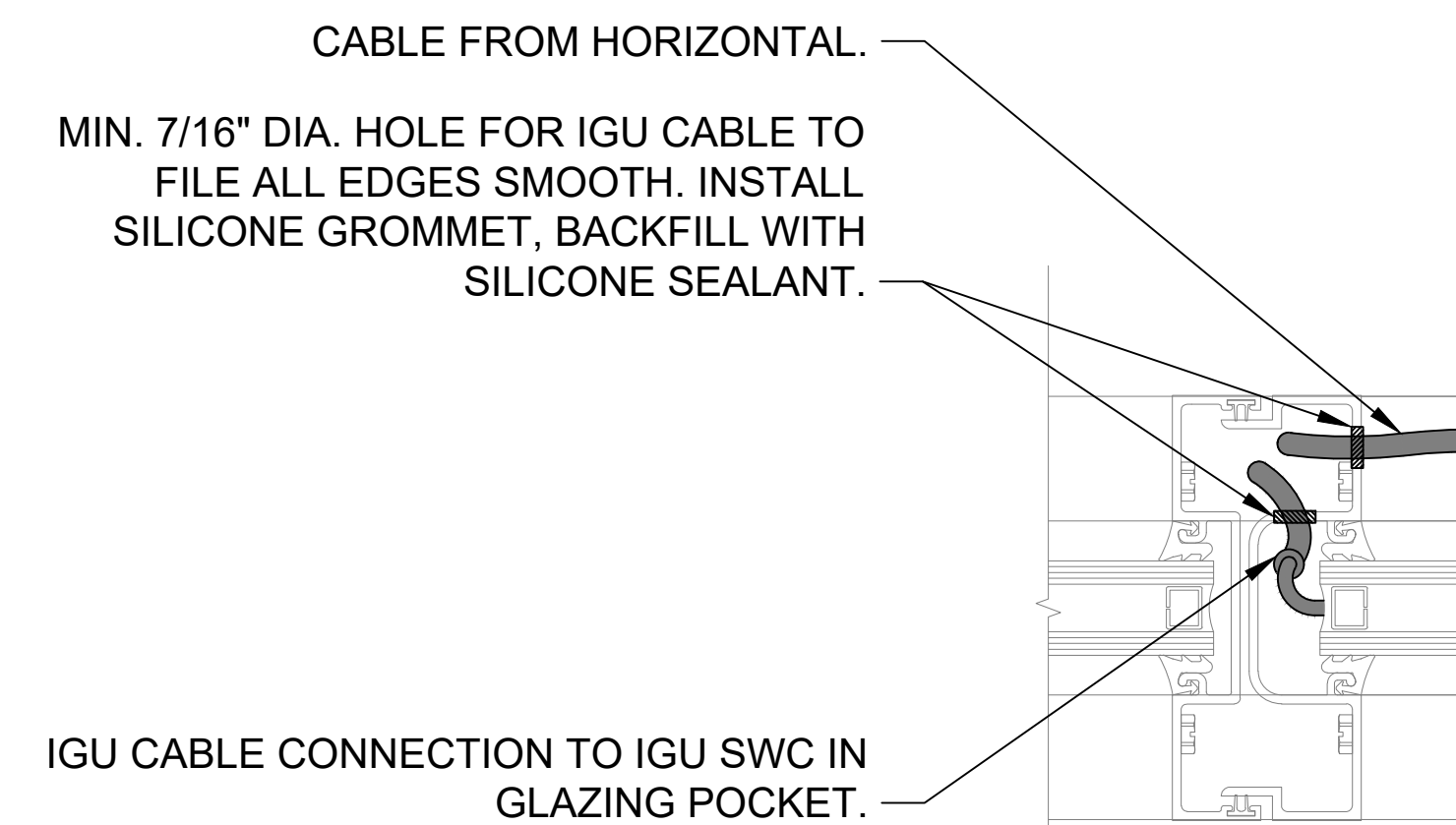
DETAIL 3  
SILL

DETAIL 4  
LEFT JAMB

DETAIL 5  
VERTICAL MULLION



TYPICAL ELEVATION  
SCALE: NONE



DETAIL 5A  
VERTICAL EXPANSION MULLION

- NOTES:
1. INSTALLER TO PROVIDE GROMMETS AT ALL FRAME PENETRATIONS WHERE POSSIBLE TO AVOID CABLE DAMAGE.
  2. INSTALLER TO LABEL IGU CABLES WITH IGU NAME TO WHICH IT IS CONNECTED.
  3. WHEN GLAZING POCKET CANNOT ACCOMMODATE IGU CONNECTOR, INCORPORATE SERVICE LOOP INTO IGU CABLING. MAKE CONNECTION TO DIGITAL AS YOU ARE GLAZING AND PUSH CONNECTOR THROUGH HOLE AND INTO MULLION.
  4. NO WIRE ROUTING IN SILL.

1 INSTALLATION DETAILS: FOR OLDCASTLE - FG3000-OG (SF)