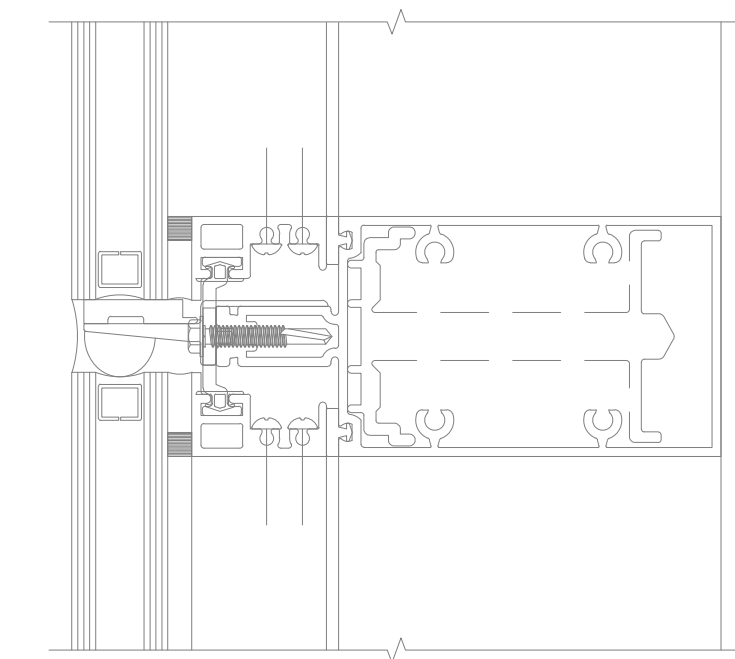
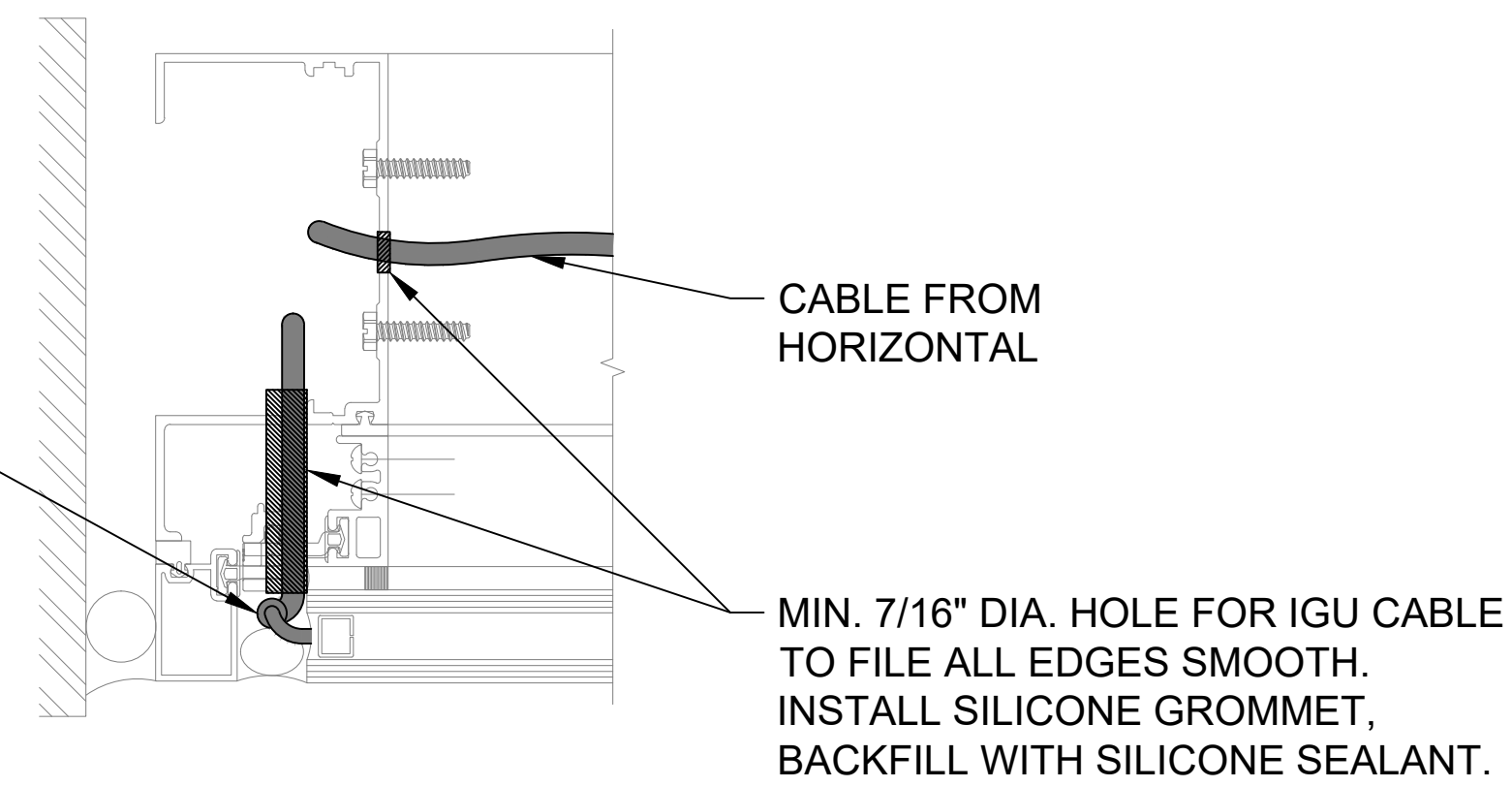


DETAIL 1
 HEAD

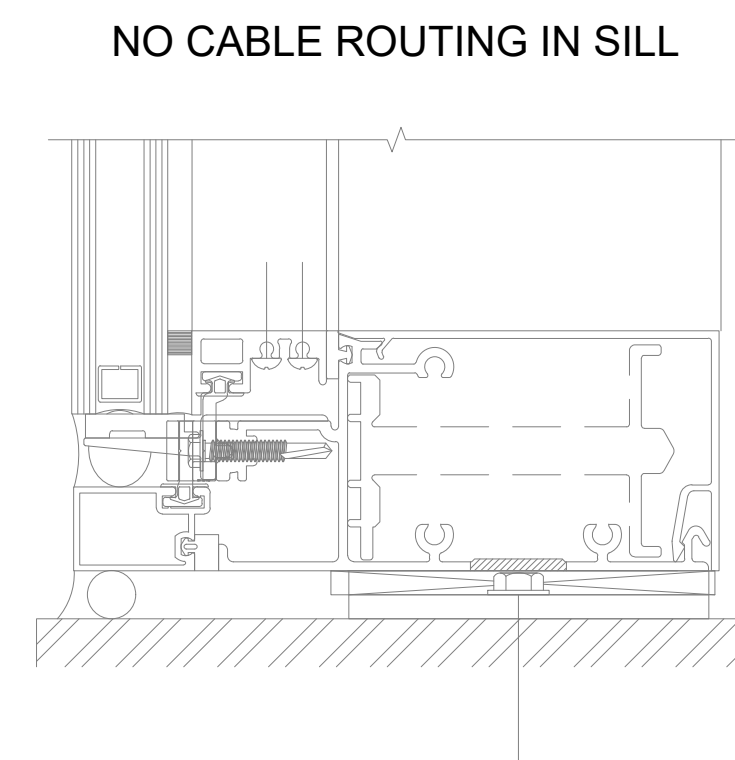
- NOTES:
1. INSTALLER TO PROVIDE GROMMETS AT ALL FRAME PENETRATIONS WHERE POSSIBLE TO AVOID CABLE DAMAGE.
 2. INSTALLER TO LABEL IGU CABLES WITH IGU NAME TO WHICH IT IS CONNECTED.
 3. WHEN GLAZING POCKET CANNOT ACCOMMODATE IGU CONNECTOR, INCORPORATE SERVICE LOOP INTO IGU CABLING. MAKE CONNECTION TO DIGITAL AS YOU ARE GLAZING AND PUSH CONNECTOR THROUGH HOLE AND INTO MULLION.
 4. NO WIRE ROUTING IN SILL.



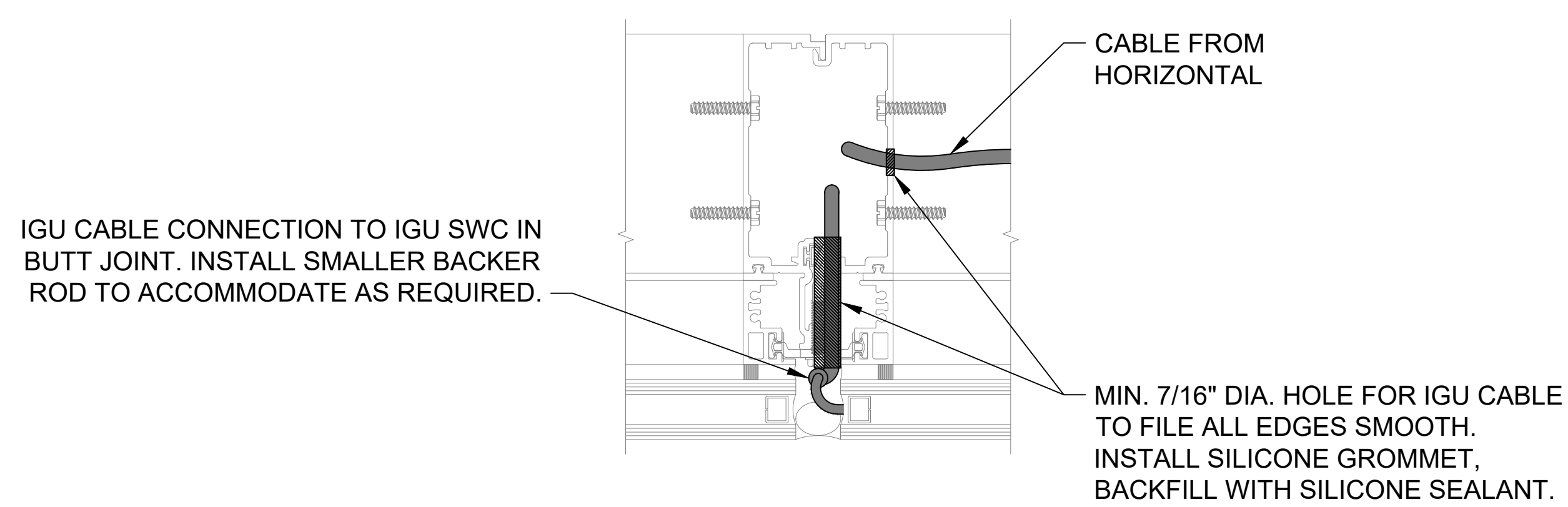
DETAIL 2
 HORIZONTAL MULLION



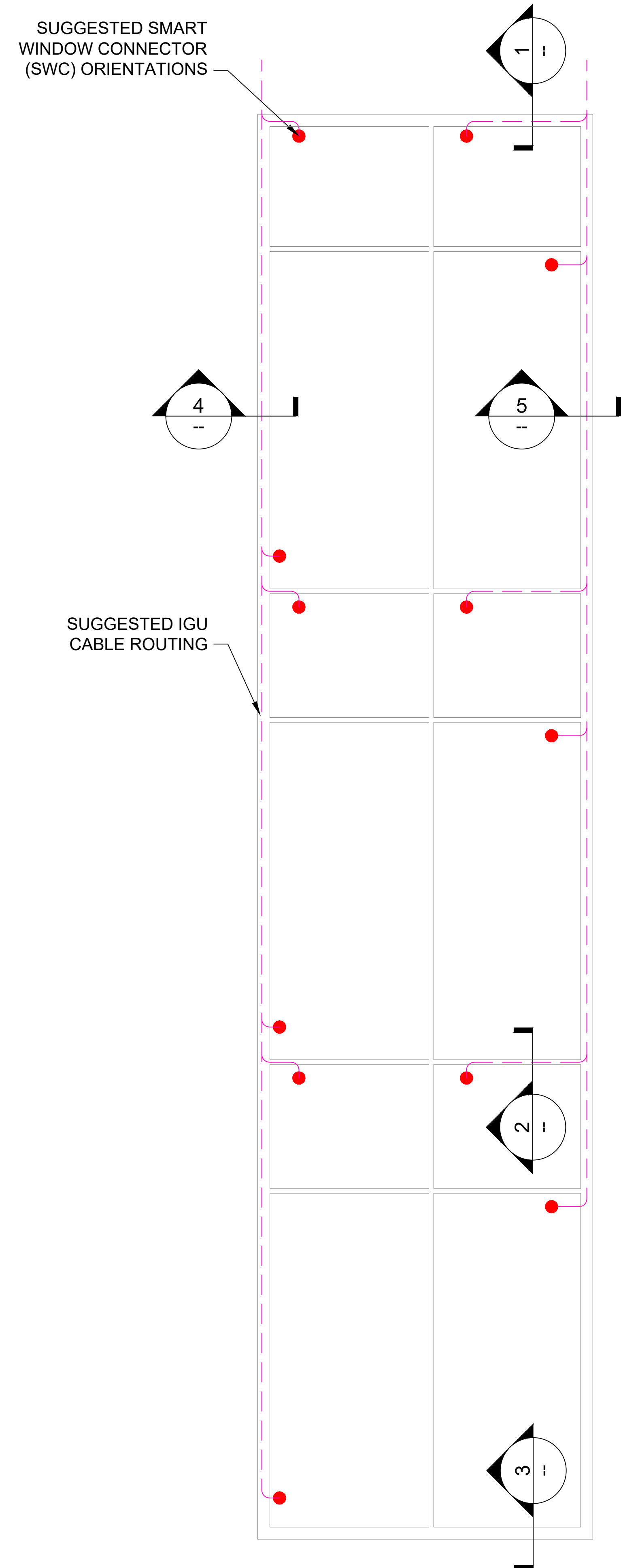
DETAIL 4
 LEFT JAMB



DETAIL 3
 SILL



DETAIL 5
 VERTICAL MULLION



TYPICAL ELEVATION
 SCALE: NONE

1 INSTALLATION DETAILS: FOR OLDCASTLE - RELIANCE CASSETTE - SSG (CW)

SCALE: NONE