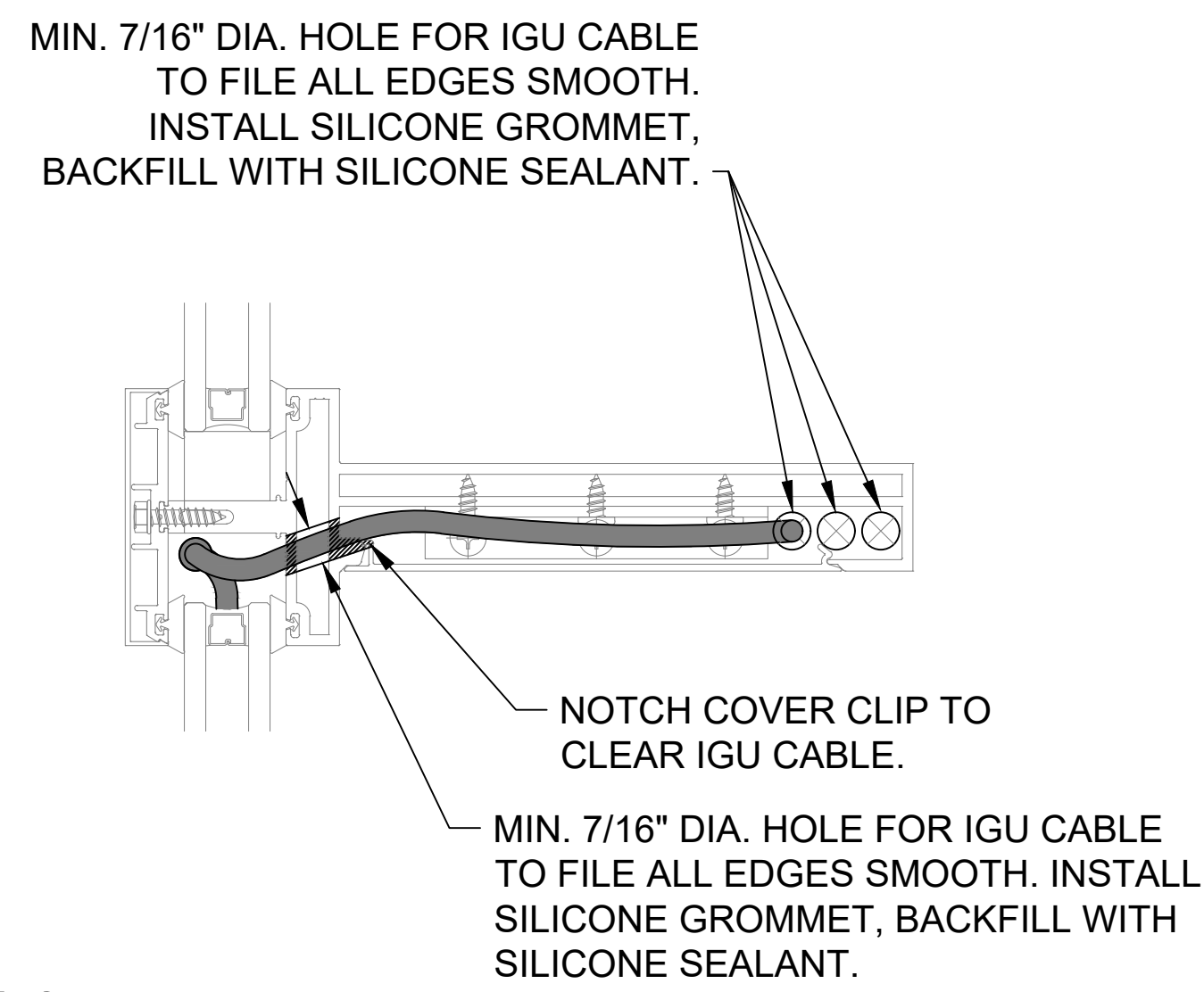
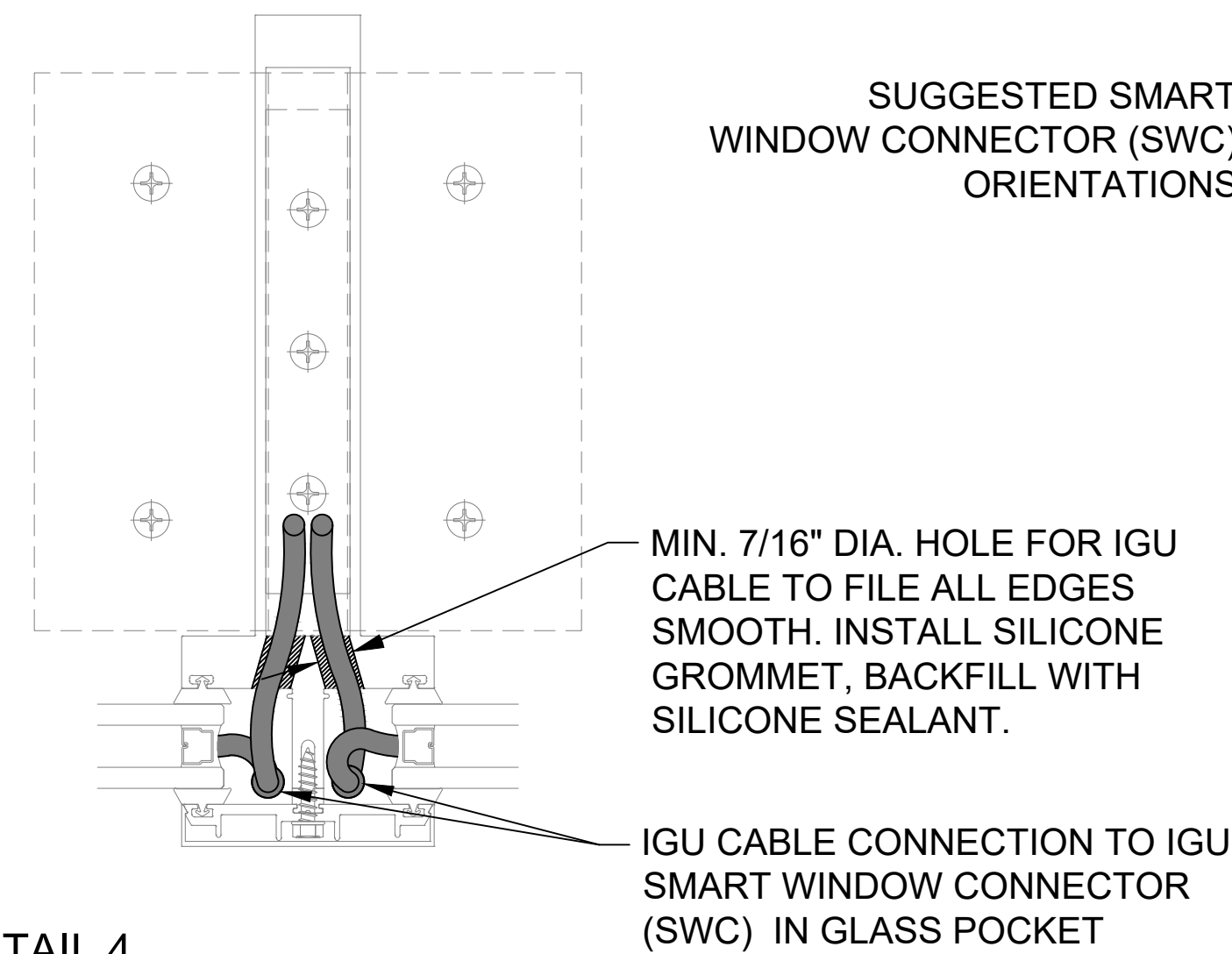


DETAIL 1
 HEAD

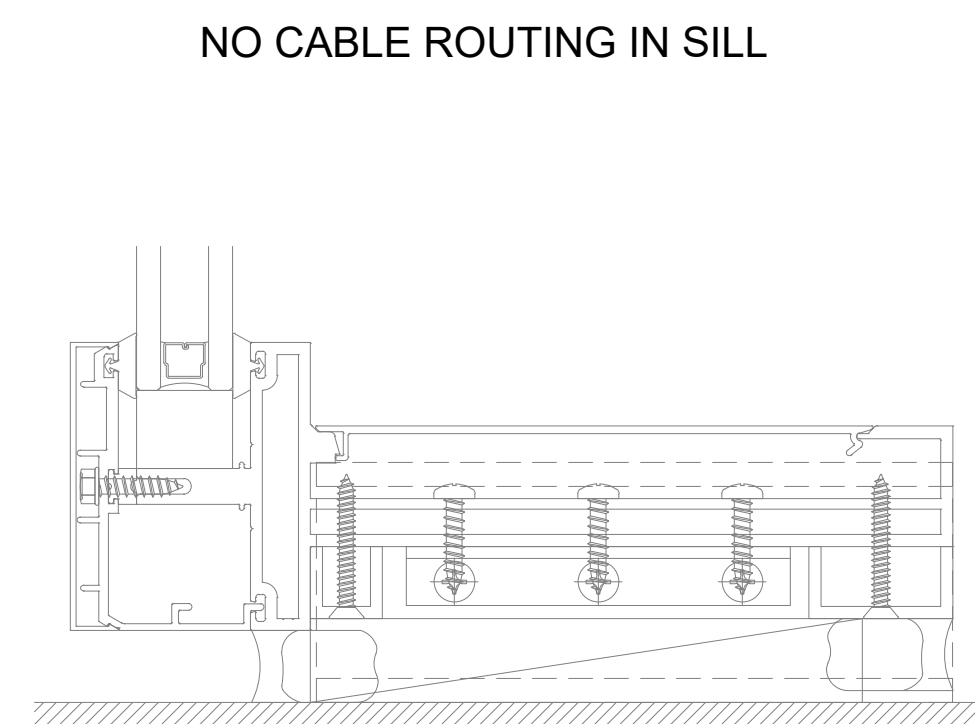
- NOTES:
1. INSTALLER TO PROVIDE GROMMETS AT ALL FRAME PENETRATIONS WHERE POSSIBLE TO AVOID CABLE DAMAGE.
 2. INSTALLER TO LABEL IGU CABLES WITH IGU NAME TO WHICH IT IS CONNECTED.
 3. WHEN GLAZING POCKET CANNOT ACCOMMODATE IGU/SWC, INCORPORATE SERVICE LOOP INTO IGU CABLING. MAKE CONNECTION TO SWC AS YOU ARE GLAZING AND PUSH CONNECTOR THROUGH HOLE AND INTO MULLION.
 4. NO WIRE ROUTING IN SILL.



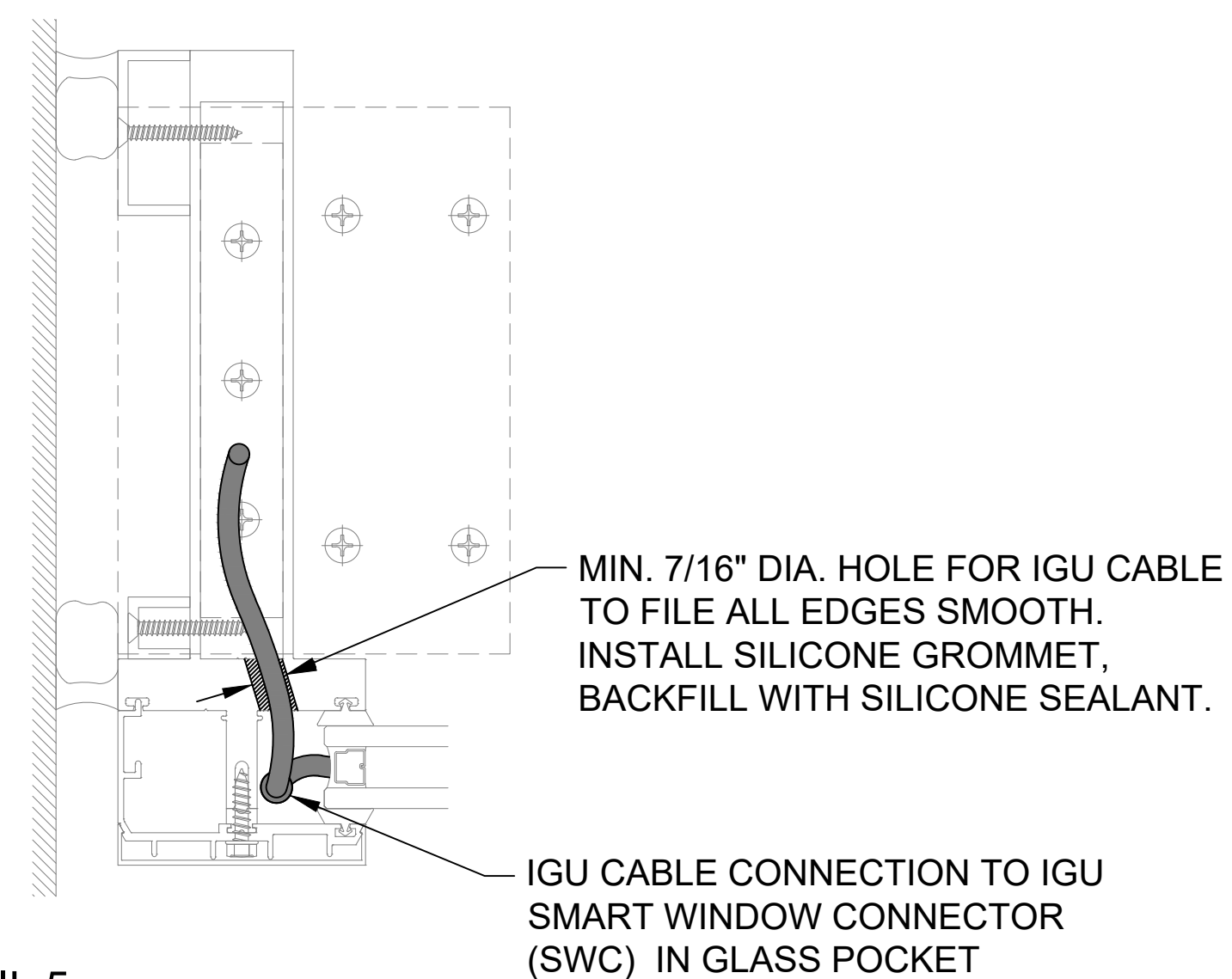
DETAIL 2
 HORIZONTAL MULLION, CAPTURED GLAZING



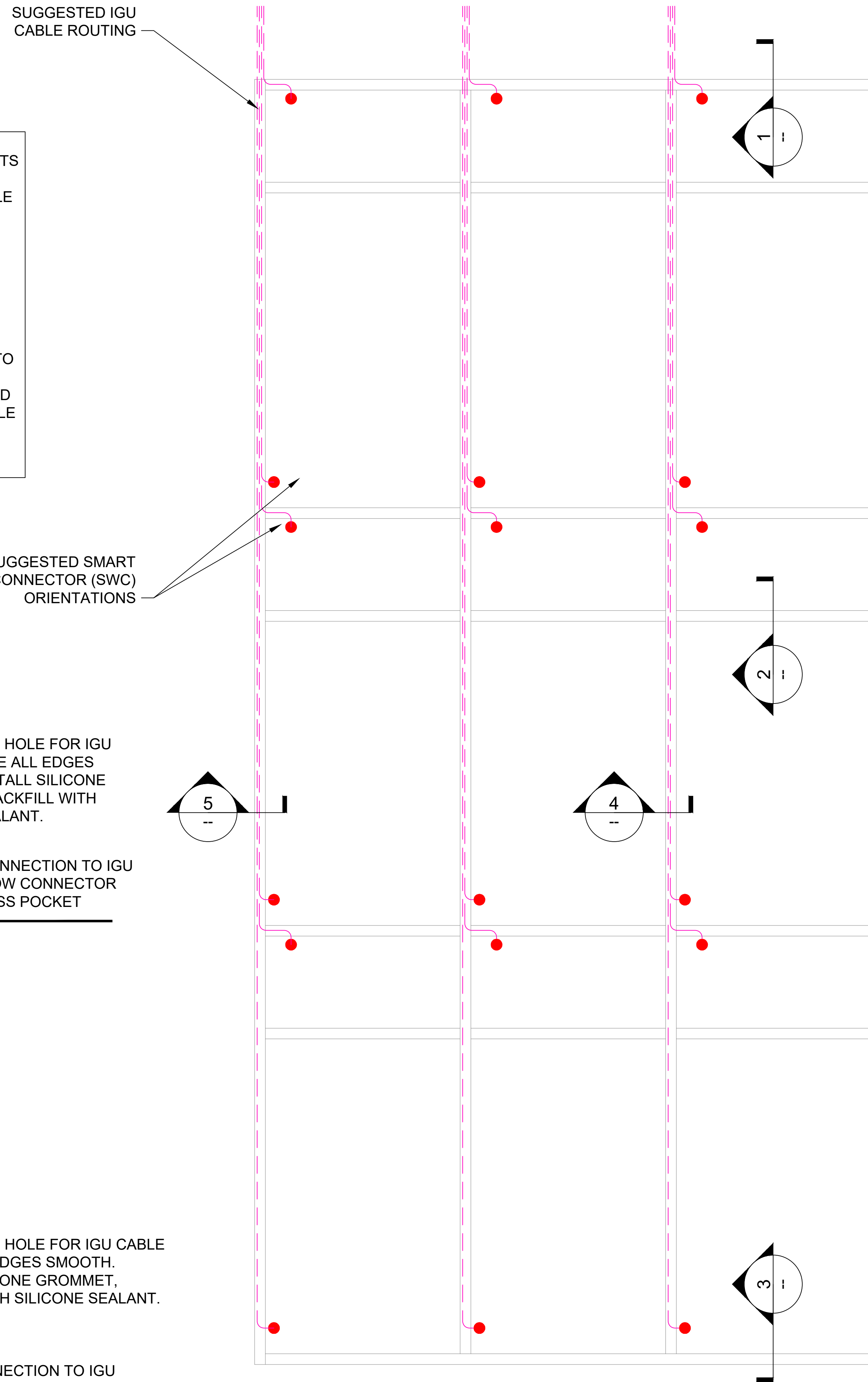
DETAIL 4
 VERTICAL MULLION, CAPTURED GLAZING



DETAIL 3
 SILL



DETAIL 5
 LEFT JAMB



TYPICAL ELEVATION
 SCALE: NONE

1 INSTALLATION DETAILS: FOR ARCADIA - TI BEAM 3-T500 - CAPTURED (CW)