

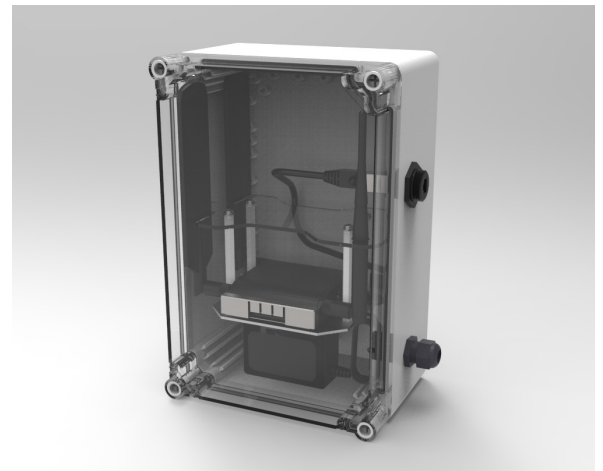
## Cellular Modem Assembly

The Cellular Modem Assembly provides remote network connectivity to a View Glass system when installed with a View Control Panel. A remote connection is required as part of an overall system to allow the View technical team to monitor and to make adjustments to ensure system performance.

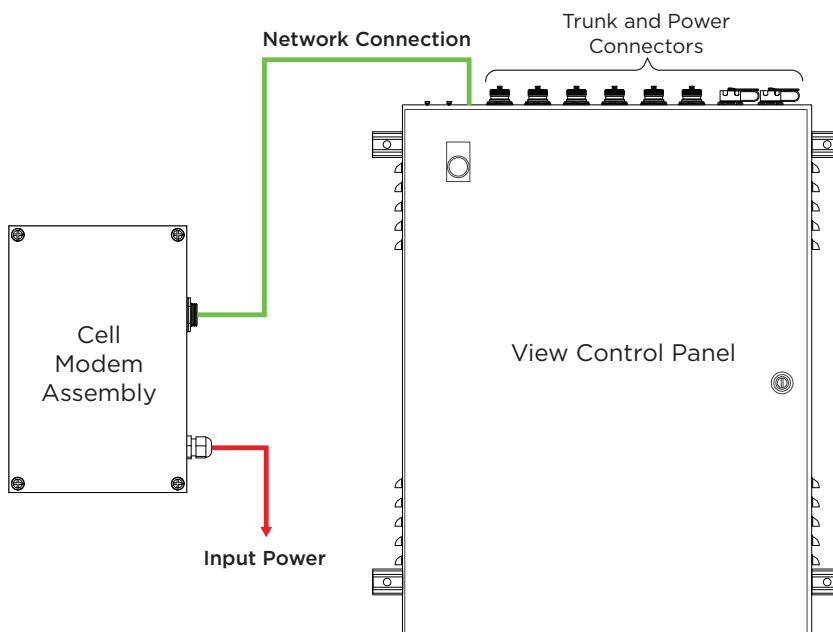
**Note:** The Cellular Modem Assembly is intended only as a temporary remote connectivity solution. Installation of a permanent remote connection solution is recommended for best performance.

### Features

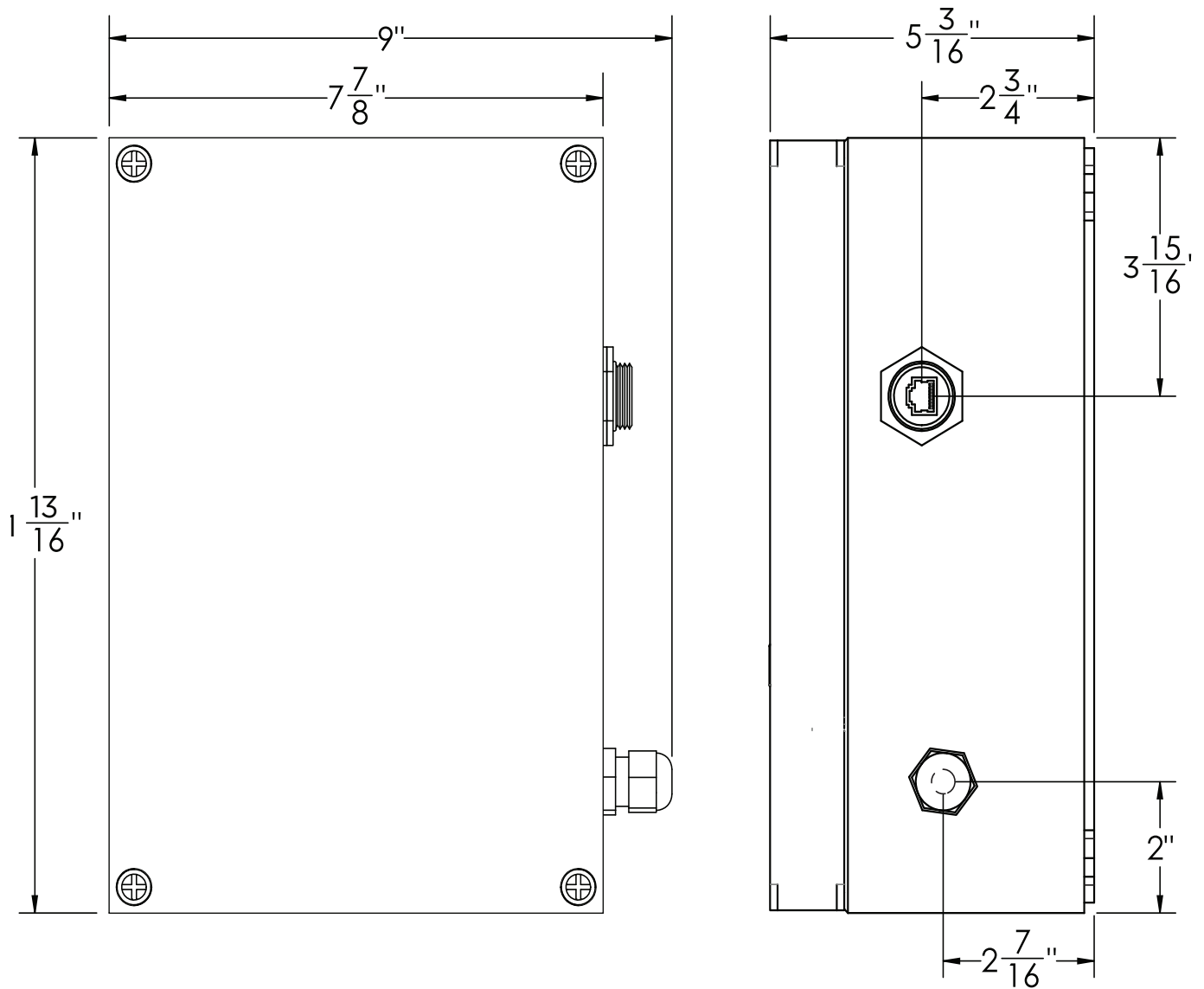
- Provides protection on exposed cables and connection points out of the control panel enclosure
- Improves the attractiveness of the overall installation



### Installation Overview



## Dimensions



## Specifications

Assembly Input Power	110/120VAC 60Hz
Enclosure	Wall-Mount Enclosure, type 4X Polycarbonate
Cellular Modem	3G/4G cellular modem with 802.11 Wi-Fi & LAN connectivity

## Ordering Information

Part Number	010-101130 (US version) 010-101576 (Canadian version)
-------------	--