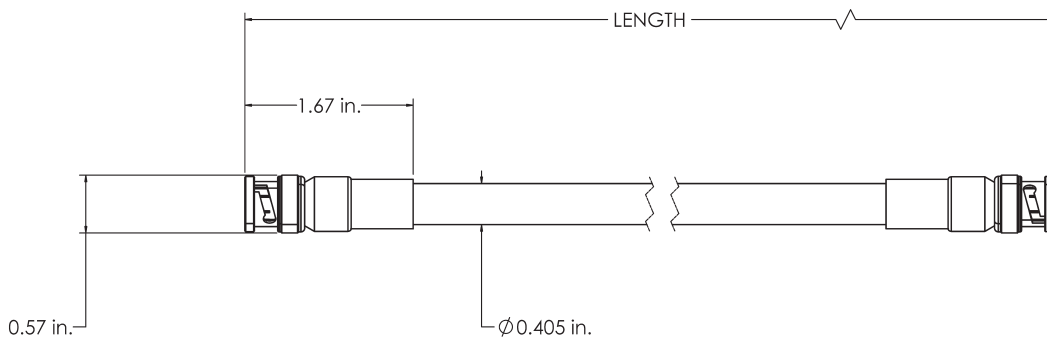


View Net Trunk Cable

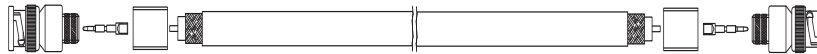
The View Net Trunk Cable is the backbone of the View Smart Building Network, providing both power and communications to multiple network terminals through a single cable. The Trunk Cable is available in both pre-terminated and un-terminated configurations.

The Trunk Cable is terminated with a male BNC connector, and it is designed to fit with the female BNC connectors in the View Net Control Panels and Trunk Cable Splitters.

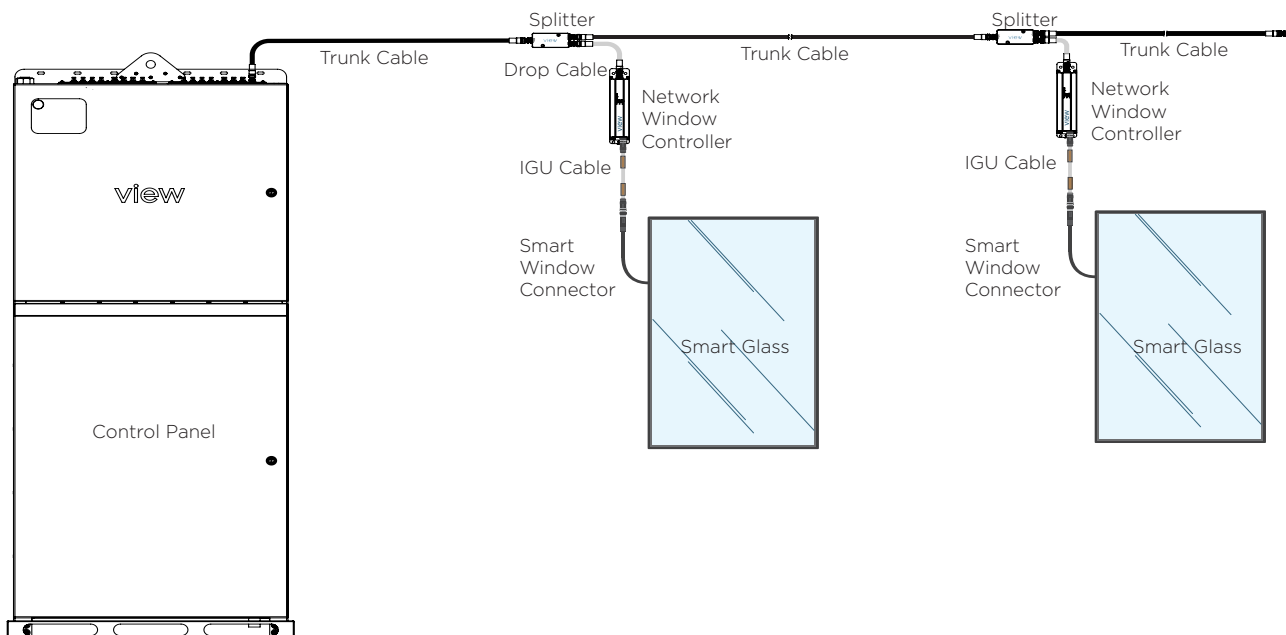
Pre-terminated Assembly



Field Terminated Assembly



Application Example



Ordering Information

Ordering Part Number	Description
VN-TC-TXX	10 AWG Coax Trunk Cable. Pre-terminated with BNC male connectors. (Replace 'XX' with corresponding length code)
VN-TCP-TXX	Plenum-rated 10 AWG Coax Trunk Cable. Pre-terminated with BNC male connectors. (Replace 'XX' with corresponding length code)
VN-TC-UYU	10 AWG Coax Trunk Cable. Underminated. (Replace 'YY' with corresponding length code)
VN-TCP-UYU	Plenum-rated 10 AWG Coax Trunk Cable. Underminated. (Replace 'YY' with corresponding length code)
VN-BNC-TC	BNC Male Connector for Trunk Cable (fits LMR-400 Coax)

Length Chart for Pre-Terminated Cables

Length Chart		
XX	Length (Feet)	Length (m)
01	1	0.3
05	5	1.5
06	6	1.8

Length Chart for Underminated Cables

Length Chart		
YY	Length (Feet)	Length (m)
05	500	154.2
10	1000	304.8

Specifications

Max Current	3 A
Max Voltage	300 V
Bend Radius	1.00 in
Cable Rating	Plenum rated option available
Warranty	All cables and components carry a warranty for a period of 5 years from date of delivery by View. Refer to standard warranty terms and conditions for more details.
Rated Temperature	Plenum: -20°C to 75°C Non-Plenum: -20°C to 80°C
Used in Conjunction with	View Net Trunk Cable Splitter View Net Control Panel View Net Network Window Controller View Net Drop Cable
Routing locations	Above ceiling grids, within interstitials, within spandrel locations, within drywall spaces and within framing channels.