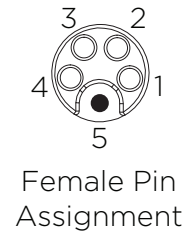
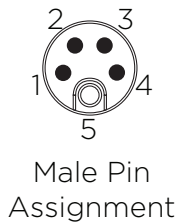
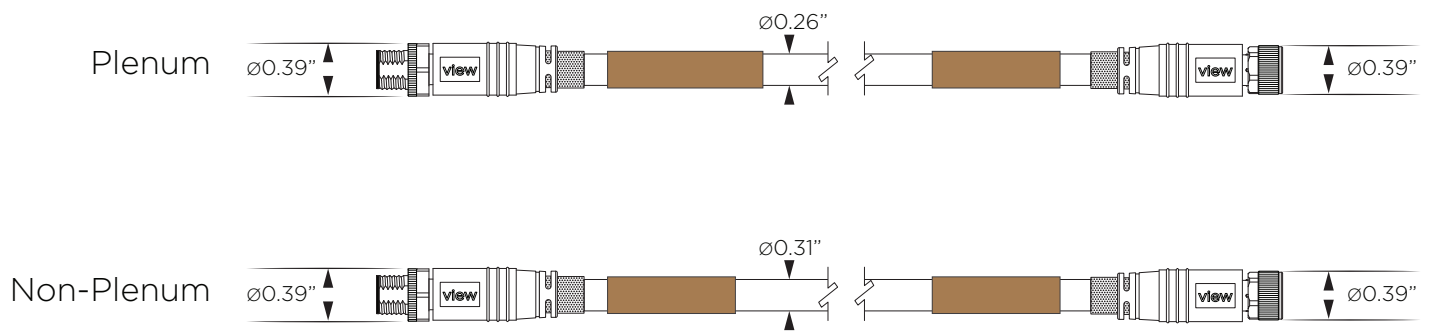


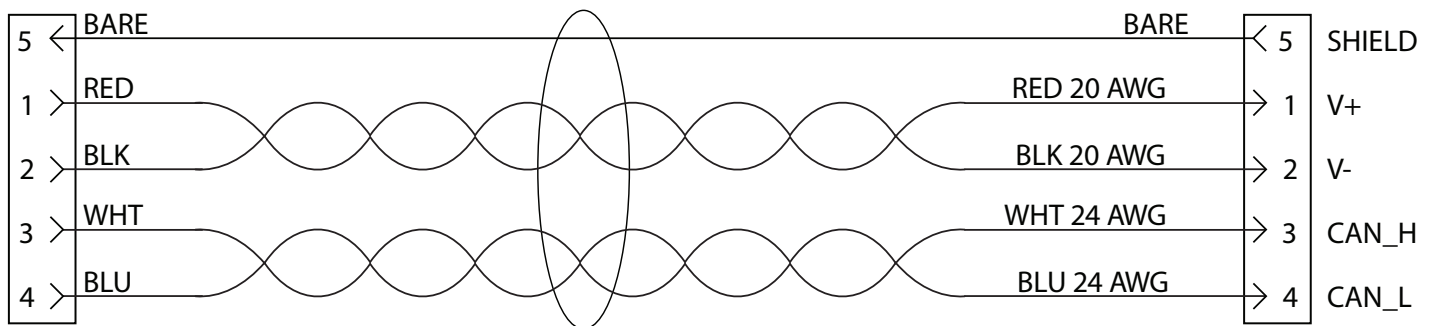
## IGU Cable

The IGU cable connects each insulated glass unit (IGU) to a window controller. One end is connected to the IGU Smart Window Connector coming out of the IGU and the other end is connected to the window controller.

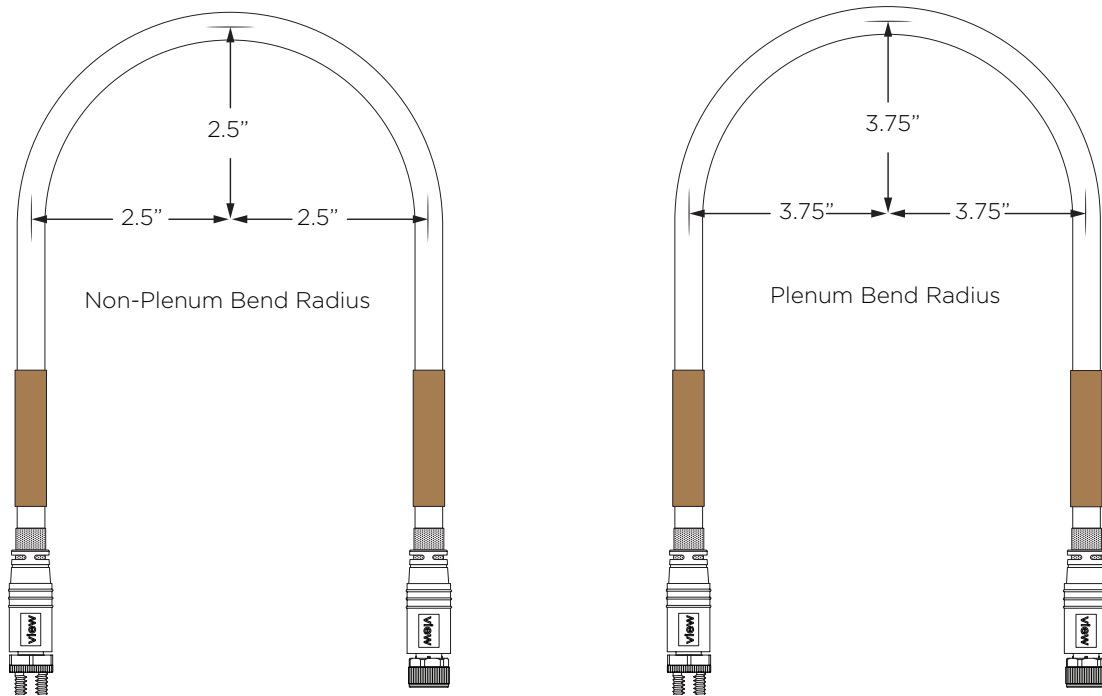
### Dimensions



### Wiring Diagram

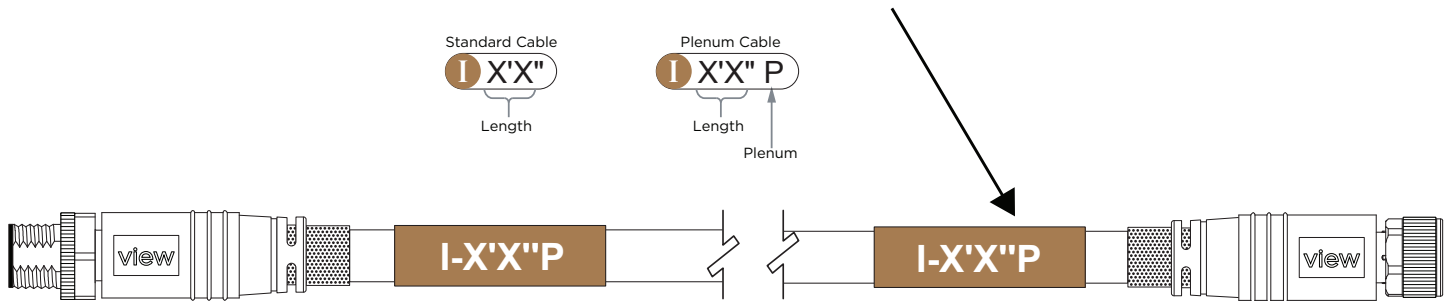


## Bend Radius



## Interconnect Identification

Find number (Length) on colored wrap, both ends of cable.



## Specifications

<b>Housing Material</b>	Injection molded plastic
<b>Max Current</b>	4A
<b>Max Voltage</b>	300V
<b>Cable Rating</b>	All cables are IP67 rated. Communications, Plenum cable (CMP) rated cables are available.
<b>Warranty</b>	All cables and components carry a warranty for a period of 5 years from date of delivery by View. Refer to standard warranty terms and conditions for more details.
<b>Jacket</b>	PVC
<b>Rated Temperature (C°)</b>	-20° to 80°C (Non-Plenum) -20° to -75°C (Plenum)
<b>Cold Bend Testing (C°)</b>	-20°C for four hours of exposure

LENGTH CHART		
XX*	Length (ft)	Length (m)
01	1.0	0.3
02	2.0	0.6
03	3.3	1
04	4.11	1.5
05	6.6	2
06	8.2	2.5
07	9.10	3
08	11.5	3.5
09	13.1	4
10	14.9	4.5
11	16.4	5
12	18.0	5.5
13	19.8	6
14	21.3	6.5
15	22.11	7
16	24.7	7.5
17	26.2	8
18	27.10	8.5
19	29.6	9
20	31.2	9.5
21	32.9	10
22	35.0	10.66
23	40.0	12.9
24	45.0	13.71
25	50.0	15.24
26	55.0	16.76
27	60.0	18.28
28	65.0	19.81
29	70.0	21.33
30	75.0	22.86
31	80.0	24.38
32	85.0	25.90
33	90.0	27.43
34	95.0	28.95
35	100.0	30.48

## Ordering Information

Part Number	Description
<b>380-101511-XX</b>	Non-Plenum <i>(Replace XX desired part numbers corresponding to length (in feet/meter))</i>
<b>380-101509-XX</b>	Plenum <i>(Replace XX desired part numbers corresponding to length (in feet/meter))</i>

## Requirements for Cold Weather Installation

If the cable has to be installed when the temperature is below 32°F, the following precautions should be taken to ensure that the jacket does not crack:

- Store the cable in a heated area with temperatures above 50°F for 24 hours before installation.
- Cables need to be handled with care and not dropped, kinked, or bent roughly.
- Pull cables slowly, use large sheaves and lubes suitable for cold temperatures.