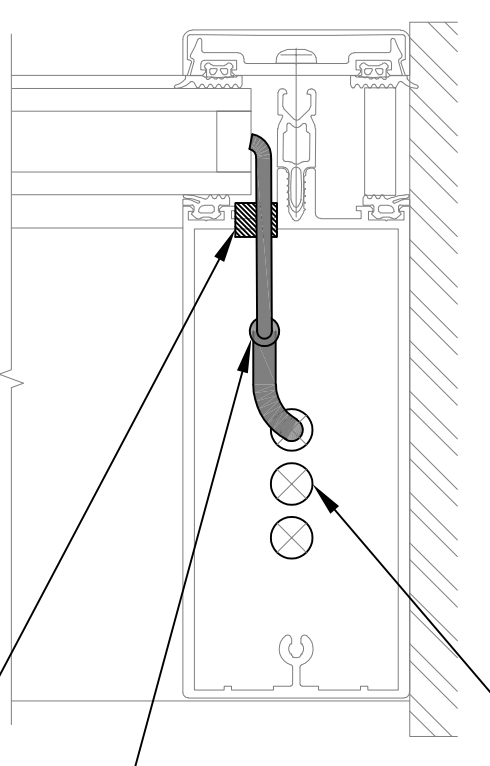


IF HORIZONTAL WIRE ROUTING IS PREFERRED THEN HORIZONTAL MEMBER WITH REMOVABLE COVER IS RECOMMENDED



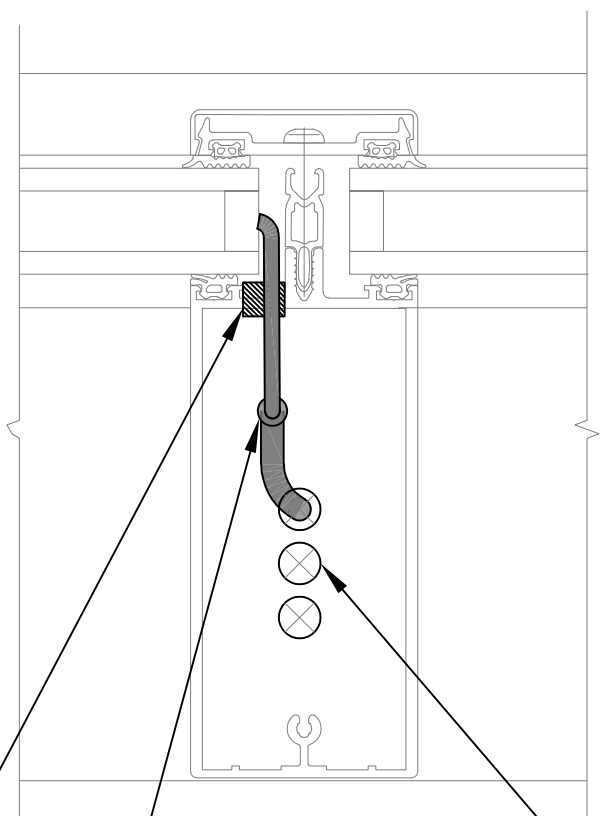
DETAIL 1
HEAD

7/16" DIA. HOLES FOR IGU CABLES AT ALL VERTICALS. REQ. (1) PER IGU CABLE. FILE ALL EDGES SMOOTH. INSTALL SILICONE GROMMET(PREFERRED) FILL WITH SILICONE SEALANT(OPTIONAL).

IGU CABLE CONNECTION TO IGU SWC IN HORIZONTAL MULLION. SERVICE LOOP TO BE INSTALLED FOR RE-GLAZING.

7/16" DIA. HOLE FOR IGU CABLE TO SWC. FILE ALL EDGES SMOOTH. INSTALL SILICONE GROMMET(PREFERRED) FILL WITH SILICONE SEALANT(OPTIONAL).

IF HORIZONTAL WIRE ROUTING IS PREFERRED THEN HORIZONTAL MEMBER WITH REMOVABLE COVER IS RECOMMENDED



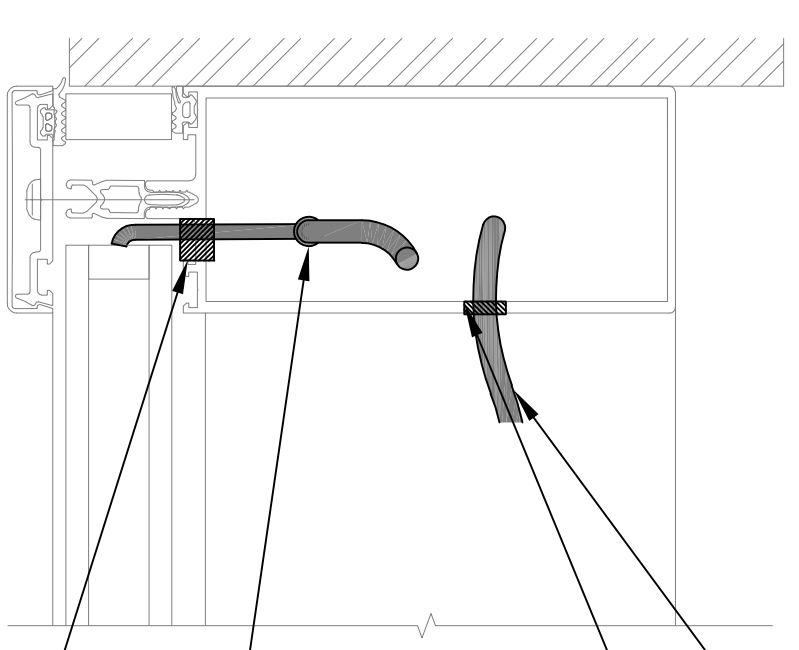
DETAIL 2
HORIZONTAL MULLION

7/16" DIA. HOLES FOR IGU CABLES AT ALL VERTICALS. REQ. (1) PER IGU CABLE. FILE ALL EDGES SMOOTH. INSTALL SILICONE GROMMET(PREFERRED) FILL WITH SILICONE SEALANT(OPTIONAL).

IGU CABLE CONNECTION TO IGU SWC IN HORIZONTAL MULLION. SERVICE LOOP TO BE INSTALLED FOR RE-GLAZING.

7/16" DIA. HOLE FOR IGU CABLE TO SWC. FILE ALL EDGES SMOOTH. INSTALL SILICONE GROMMET(PREFERRED) FILL WITH SILICONE SEALANT(OPTIONAL).

- NOTES:
1. INSTALLER TO PROVIDE GROMMETS AT ALL FRAME PENETRATIONS WHERE POSSIBLE TO AVOID CABLE DAMAGE.
 2. INSTALLER TO LABEL IGU CABLES WITH IGU NAME TO WHICH IT IS CONNECTED.
 3. WHEN GLAZING POCKET CANNOT ACCOMMODATE IGU CONNECTOR, INCORPORATE SERVICE LOOP INTO IGU CABLING. MAKE CONNECTION TO DIGITAL AS YOU ARE GLAZING AND PUSH CONNECTOR THROUGH HOLE AND INTO MULLION.



DETAIL 4
LEFT JAMB

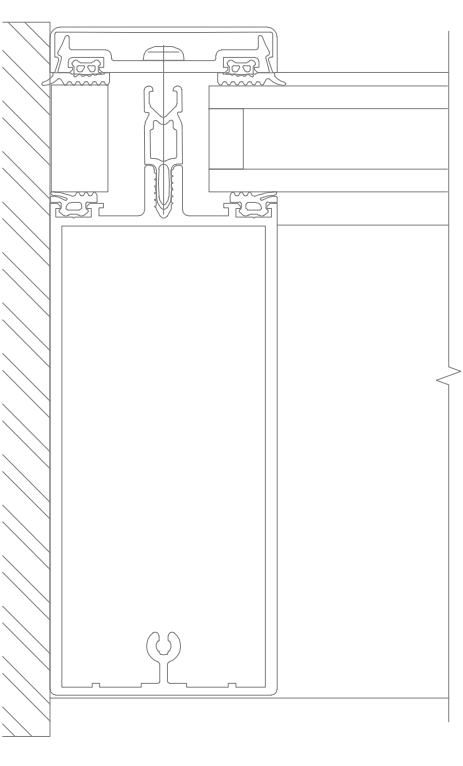
CABLE FROM HORIZONTAL

7/16" DIA. HOLES FOR IGU CABLES AT ALL VERTICALS. REQ. (1) PER IGU CABLE. FILE ALL EDGES SMOOTH. INSTALL SILICONE GROMMET(PREFERRED) FILL WITH SILICONE SEALANT(OPTIONAL).

IGU CABLE CONNECTION TO IGU SWC IN VERTICAL MULLION. SERVICE LOOP TO BE INSTALLED FOR RE-GLAZING.

7/16" DIA. HOLE FOR IGU CABLE TO SWC. FILE ALL EDGES SMOOTH. INSTALL SILICONE GROMMET(PREFERRED) FILL WITH SILICONE SEALANT(OPTIONAL).

NO CABLE ROUTING IN SILL

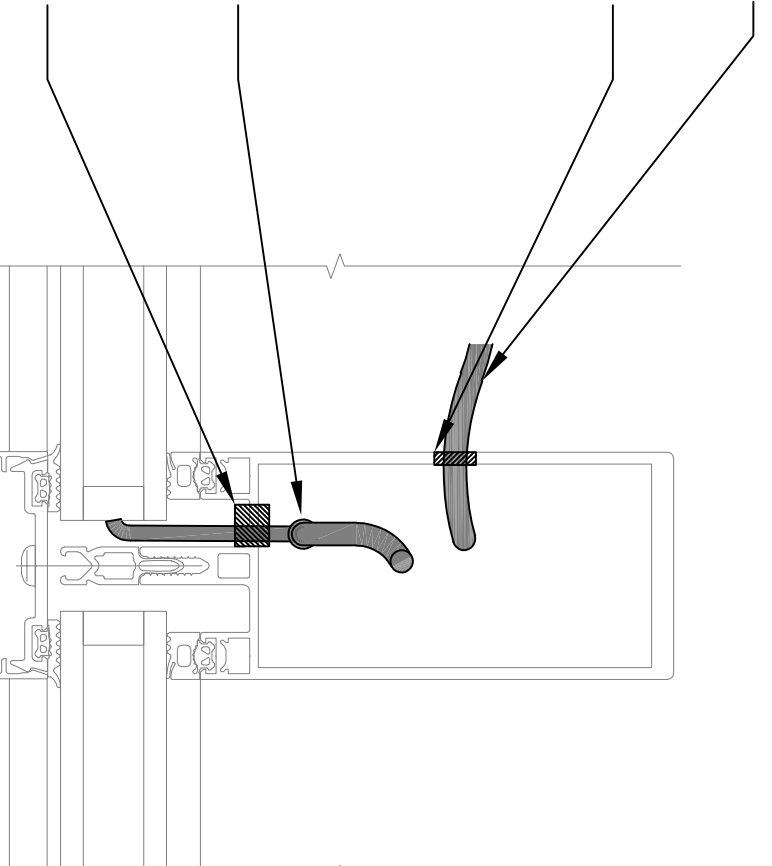


DETAIL 3
SILL

7/16" DIA. HOLES FOR IGU CABLES AT ALL VERTICALS. REQ. (1) PER IGU CABLE. FILE ALL EDGES SMOOTH. INSTALL SILICONE GROMMET(PREFERRED) FILL WITH SILICONE SEALANT(OPTIONAL).

IGU CABLE CONNECTION TO IGU SWC IN VERTICAL MULLION. SERVICE LOOP TO BE INSTALLED FOR RE-GLAZING.

7/16" DIA. HOLE FOR IGU CABLE TO SWC. FILE ALL EDGES SMOOTH. INSTALL SILICONE GROMMET(PREFERRED) FILL WITH SILICONE SEALANT(OPTIONAL).

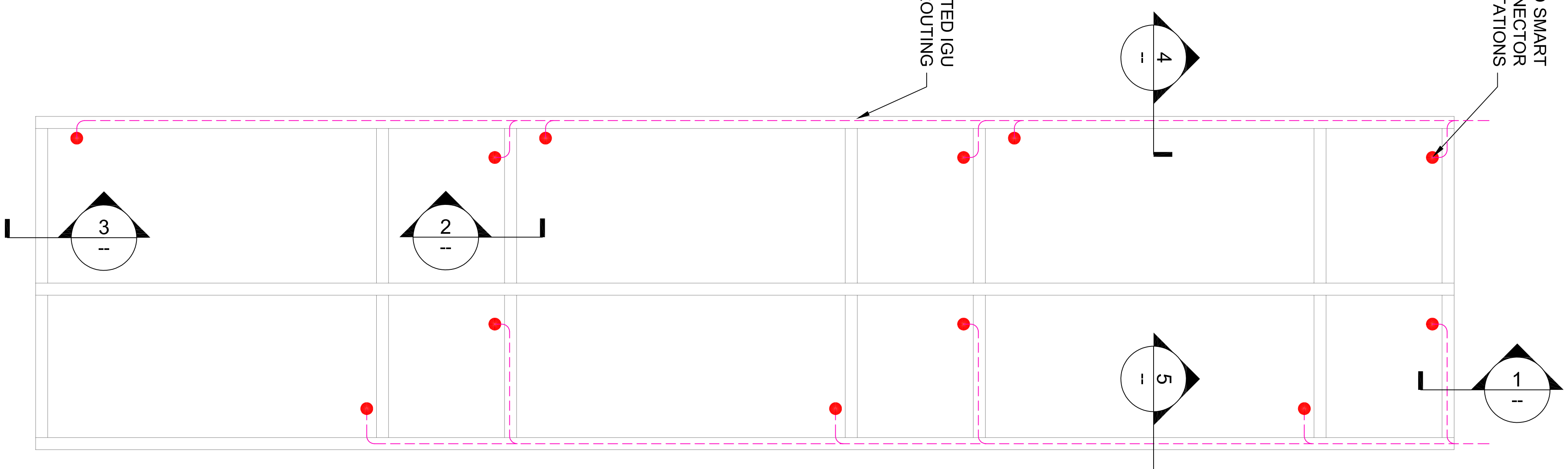


DETAIL 5
VERTICAL MULLION

1 INSTALLATION DETAILS: CURTAINWALL - FOR SCHUCCO-FW60-S (CURTAINWALL)

SUGGESTED SMART WINDOW CONNECTOR (SWC) ORIENTATIONS

SUGGESTED IGU CABLE ROUTING



TYPICAL ELEVATION
SCALE: NONE

SCALE: NONE