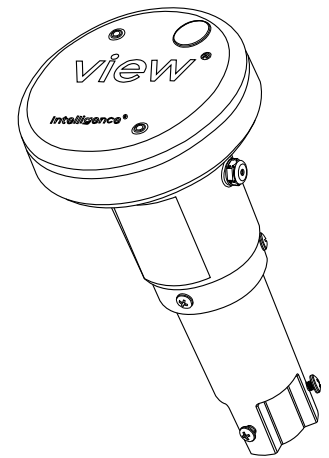


# Sky Sensor

## Product Description

The roof-mounted Sky Sensor provides external light level data and infrared temperature data to the View Dynamic Glass system to allow optimization of tint levels for each Dynamic Glass zone. The assembly includes the Sky Sensor with a 50 ft length of CAT5 Ethernet cable attached. It also comes with a Cat6 coupler for extension (ordered separately).



## Features

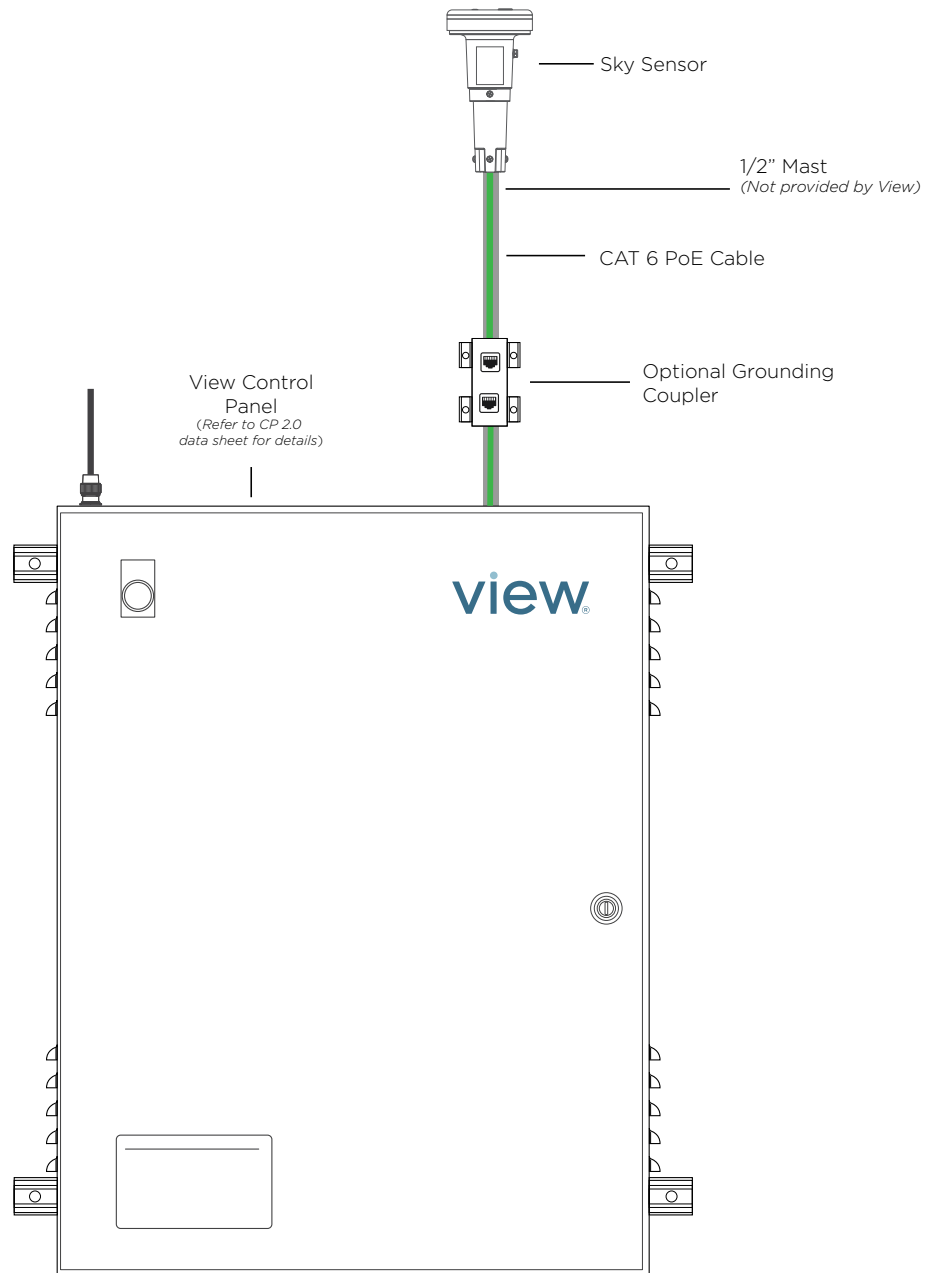
- 360-degree horizontal light sensing coverage plus a vertical photo sensor.
- Infrared conical cloud detection coverage.
- PoE-enabled (Power-over-Ethernet) to allow data and power transmission with a single cable.
- Designed with built-in pole mounting features to simplify the installation process.

## Specifications

|                  |  |
|------------------|--|
| Cable            | 50 ft. length of Category 5 Shielded and plenum rated Ethernet cable with ruggedized RJ45 connector attached to lower housing of Sky Sensor; field wireable if necessary.  |
| Power            | PoE (Power over Ethernet) voltage requirement: Class 0, 36-57 VDC<br>VDC PoE (Power over Ethernet) Injector located in CP (see ordering information)   |
| Sensors          | <ul style="list-style-type: none"> <li>• Photo sensors (x13)</li> <li>• Infrared temperature sensors (x2)</li> <li>• Light sensor dynamic range: 1 - 100K Lux</li> </ul>   |
| IP Configuration | Default Static IP: 10.50.80.150  |
| Environmental    | <ul style="list-style-type: none"> <li>• Storage Temperature: -40C to 85C</li> <li>• Operating Temperature: -20C to 65C</li> <li>• Meets the requirements for IP65 per IEC 60529</li> </ul>  |
| Weight           | 1.08 Pounds  |
| Mounting         | Pole mount: 1/2 inch RMT (Rigid Metallic Tubing) or IMT (Intermediate Metallic Tubing) as allowed by local code. Mast not provided by View.<br>Note: Do not use EMC/EMT.   |
| Agency Approval  | Complies with: <ul style="list-style-type: none"> <li>• FCC Part 15 Subpart B Section 15.107 &amp; 15.109</li> <li>• EN 55032 Class B Conducted Emissions</li> <li>• EN 55032 Class B Radiated Emissions</li> <li>• EN 61000-4-2 (2009) Electrostatic Discharge</li> <li>• EN 61000-4-3 (2006)+A1+A2 Radiated Immunity</li> <li>• EN 61000-4-4 (2004) Electrical Fast Transient/Burst</li> <li>• EN 61000-4-6 (2009) Conducted Immunity</li> </ul> |
| Maintenance      | Wipe down with a damp cloth as local conditions require.   |
| Warranty         | 5 years  |

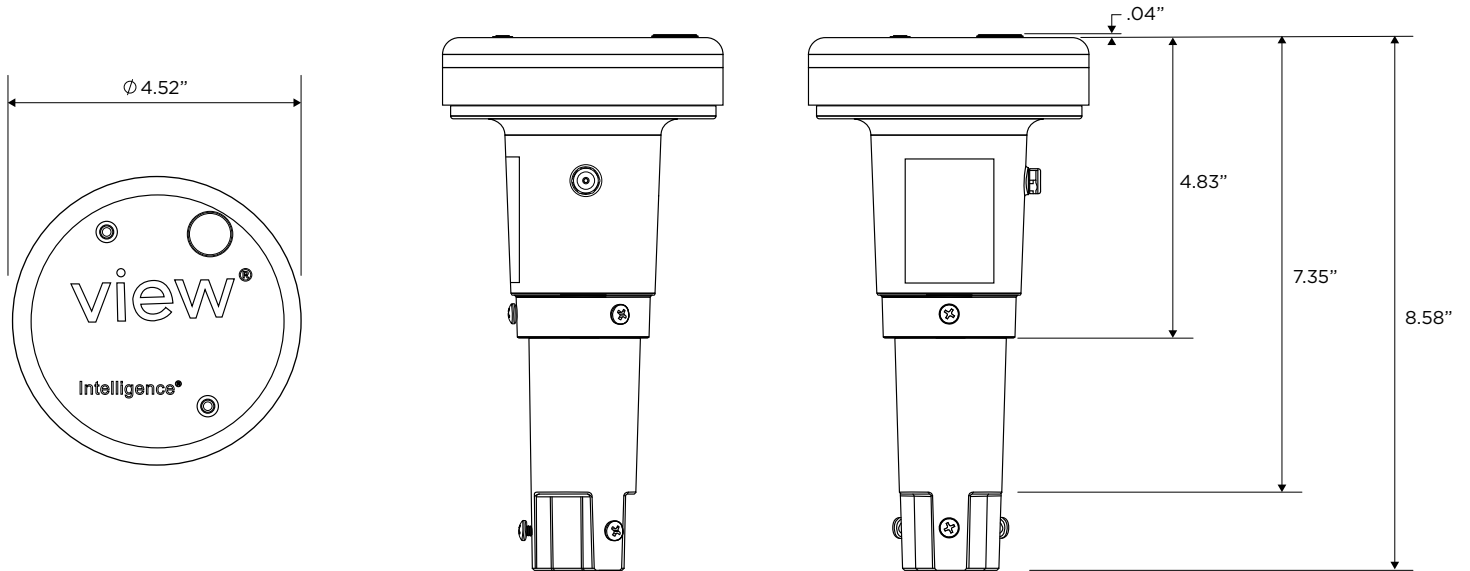
## Sky Sensor

### System Overview



# Sky Sensor

## Dimensions



## Ordering Information

| Part Number          | Description  |
|----------------------|--|
| 010-101619-01        | Sky Sensor   |
| 015-101821-01 or -02 | PoE Injector (systems with Control Panel x1 or x2) |
| 330-101504           | PoE Injector (systems with older Control Panel)    |
| 015-102018           | L-COM POE Coupler Kit                              |

## Related Documents

| Doc Number    | Description                   |
|---------------|-------------------------------|
| QDM-05-000045 | Sky Sensor Installation Guide |